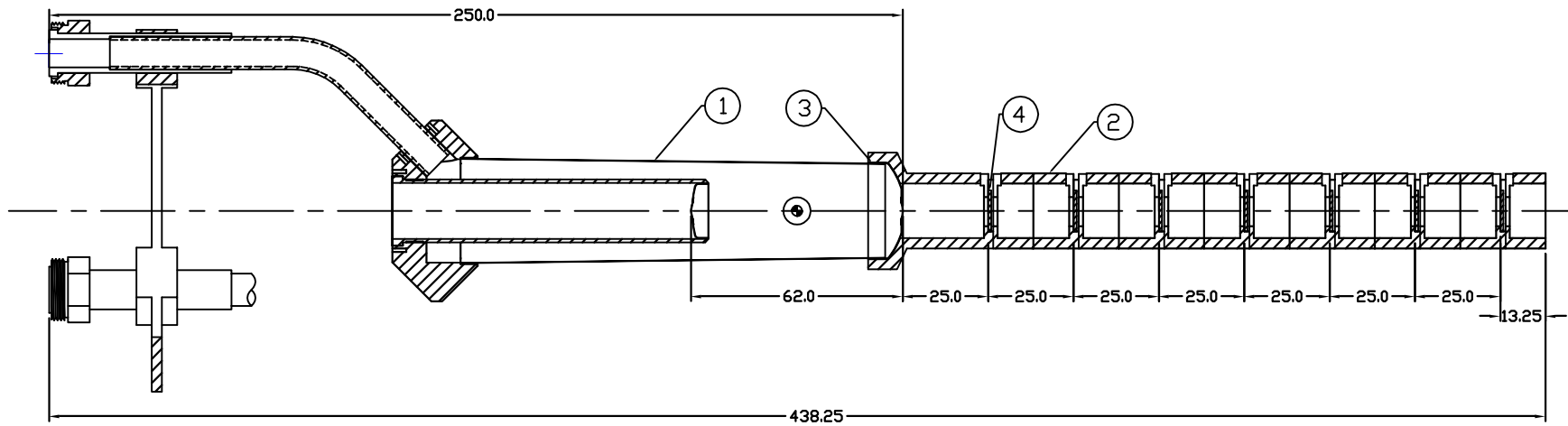

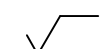


REVISIONS				
ZONE	REV.	DESCRIPTION	DATE	APPROVED



QTY REQD	ITEM NO.	PART OR IDENTIFYING NO.	NOMENCLATURE OR DESCRIPTION	NOTES/MATERIAL SPECIFICATION
7	4		SOLID TARGETS	Ø12 MM, VARIED THICKNESSES AND MATERIALS
1	3	3M DP-190 GRAY	EPOXY	0.001-0.002" FILM ON ALL CONTACT SURFACES
1	2	66850-A-03655	SOLID TARGET HOLDER SUB-ASSEMBLY	
1	1	66850-A-03649	TARGET CELL SUB-ASSEMBLY	

PARTS LIST

DIM & TOL PER ANSI Y14.5 UNLESS OTHERWISE SPECIFIED DIMENSIONS ARE IN MM TOLERANCES ARE: FRACTIONS DECIMAL ANGLES ± .x ± ± .xx ±	CADD I.D. NO. christo\\d:\ACAD DRAWINGS\dwg1\ tar_g7a_final.dwg		 Thomas Jefferson National Accelerator Facility NEWPORT NEWS, VIRGINIA UNITED STATES DEPARTMENT OF ENERGY		
	MATERIAL _____	APPROVALS _____			DATE 7/9/02
FINISH  UNLESS OTHERWISE NOTED DEBURR & BREAK ALL SHARP EDGES	DRAWN s. christo	CHECKED DKH	APPROVED/ORIGINATOR s. christo	g7a Target Assembly	
	DO NOT SCALE DRAWING	APPROVED DKH	DATE 7/24/02		SIZE A
		DWG. NO. 66850-A-03648	REV. --		
		SCALE 2:1	USED ON ASSY NO. 66840-E-03662	SHEET 1 OF 1	