

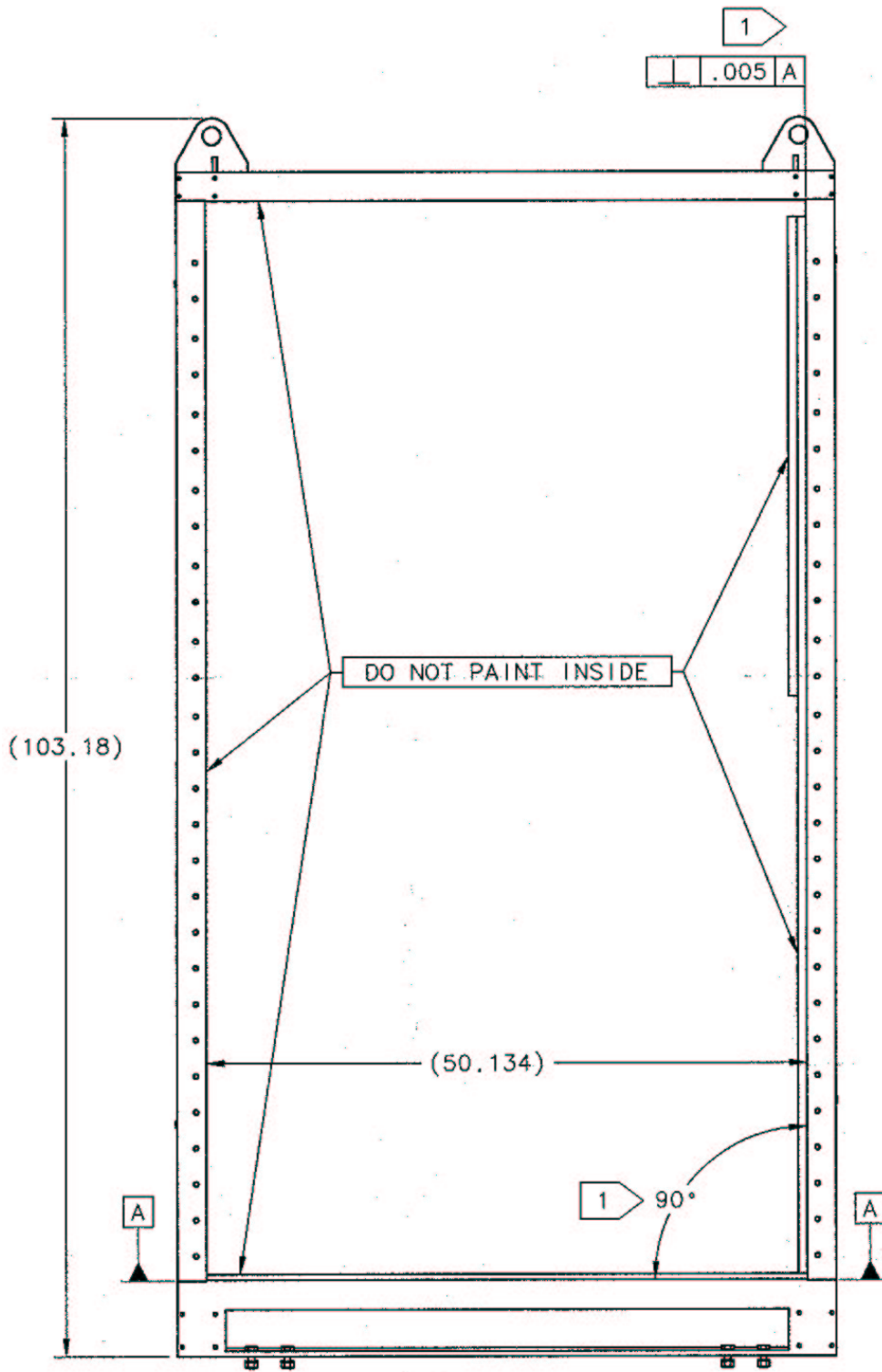
Progress Report on Gain Monitor

Emil Frlež

University of Virginia

JLAB ARC Auditorium

March 26, 2004



.005 A

2.2

(103.18)

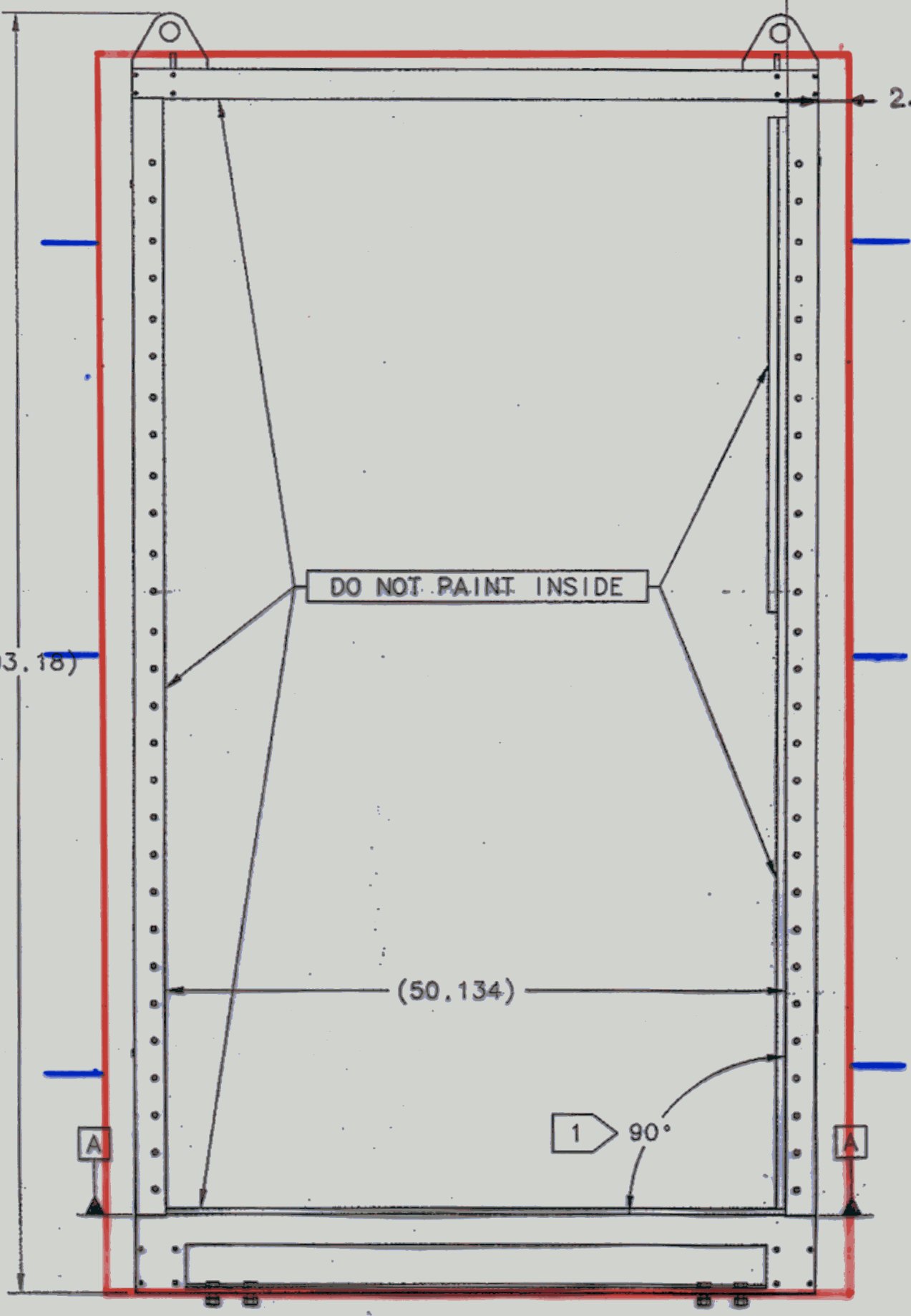
DO NOT PAINT INSIDE

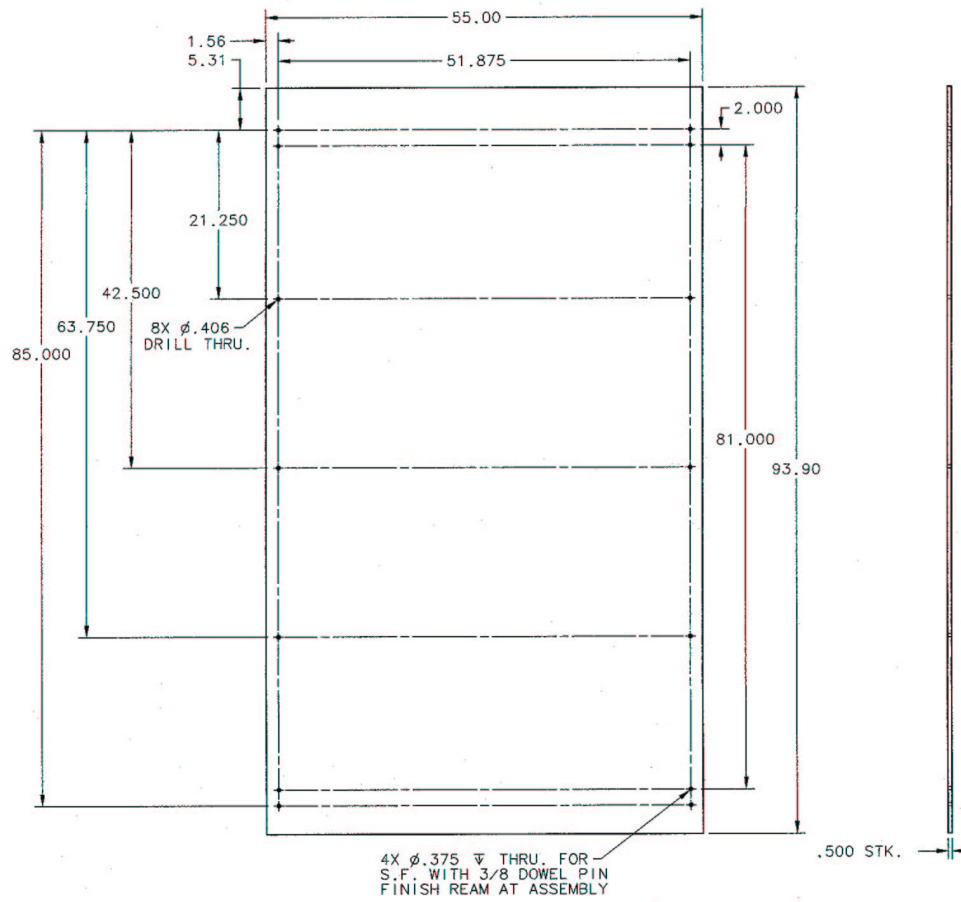
(50.134)

1 90°

A

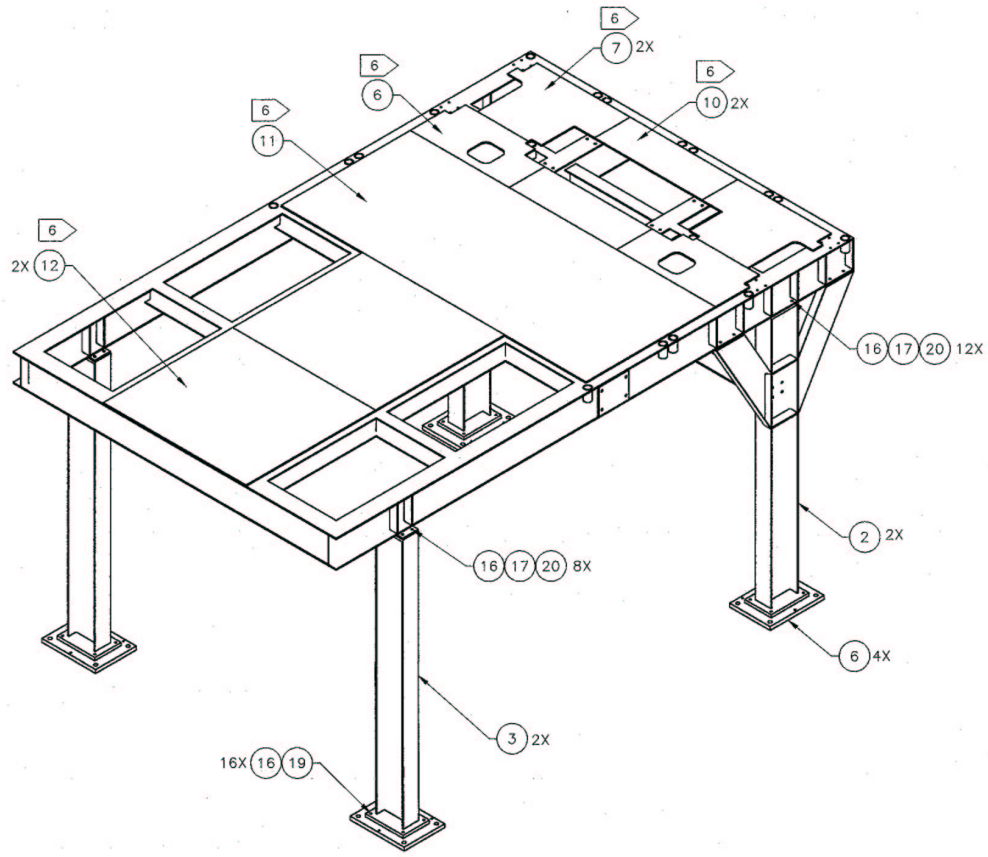
A





-05 ALUMINUM BLANK FRONT PLATE

SCALE: 1/8



(Message sane:11)

Date: Thu, 25 Mar 2004 09:47:15 EST
To: "'frlez@virginia.edu'" <frlez@virginia.edu>
From: <somebody@somewhere.com>
Subject: QUOTE

Delivery-Date: Thu Mar 25 11:25:40 200
MIME-Version: 1.0
X-Mailer: Internet Mail Service (5.5.2657.72)
Return-Receipt-To: <somebody@somewhere.com>

Emil,

I am responding to a request for quote that was given to our corporate office. I was told you were looking for pricing on Clear Plexiglas Sheet so here we go...

We at Inc., are pleased to quote you on the following:

Clear Plexiglas Sheet 1/4" x 60" x 100" \$ 125.00
ARO 5 -7 business days
OR

Clear Plexiglas Sheet 1/2" x 60" x 100" \$ 275.00
ARO 2 -3 business days

Please let me know if there is anything further that I can do for you! I appreciate your consideration in this matter!
Thanks,