

**Date**2012/10/17 19:07:10

Contents[1. File Report](#)[Table 1](#) File Information for HEADER WITH FC770[2. Mesh Report](#)[Table 2](#) Mesh Information for HEADER WITH FC770[3. Physics Report](#)[Table 3](#) Domain Physics for HEADER WITH FC770[Table 4](#) Boundary Physics for HEADER WITH FC770[4. User Data](#)[Table 5](#)[Figure 1](#)[Figure 2](#)[Figure 3](#)[Figure 4](#)[Figure 5](#)

1. File Report

Table 1. File Information for HEADER WITH FC770

Case	HEADER WITH FC770
File Path	Q:\wcraken\FDC\FDC_HEADER_BALENCING4-10-17-2012_files\dp0\CFX-1\CFX\Fluid Flow CFX_003.res
File Date	17 October 2012
File Time	05:15:29 PM
File Type	CFX5
File Version	14.0

2. Mesh Report

Table 2. Mesh Information for HEADER WITH FC770

Domain	Nodes	Elements
Domain 1	1282893	1483934

3. Physics Report

Table 3. Domain Physics for HEADER WITH FC770

Domain - Domain 1	
Type	Fluid
Location	Assembly
<i>Materials</i>	
FLUORINERT FC770	
Fluid Definition	Material Library
Morphology	Continuous Fluid
<i>Settings</i>	
Buoyancy Model	Non Buoyant
Domain Motion	Stationary
Reference Pressure	1.0000e+00 [atm]
Heat Transfer Model	Isothermal
Fluid Temperature	2.5000e+01 [C]
Turbulence Model	k epsilon
Turbulent Wall Functions	Scalable

Table 4. Boundary Physics for HEADER WITH FC770

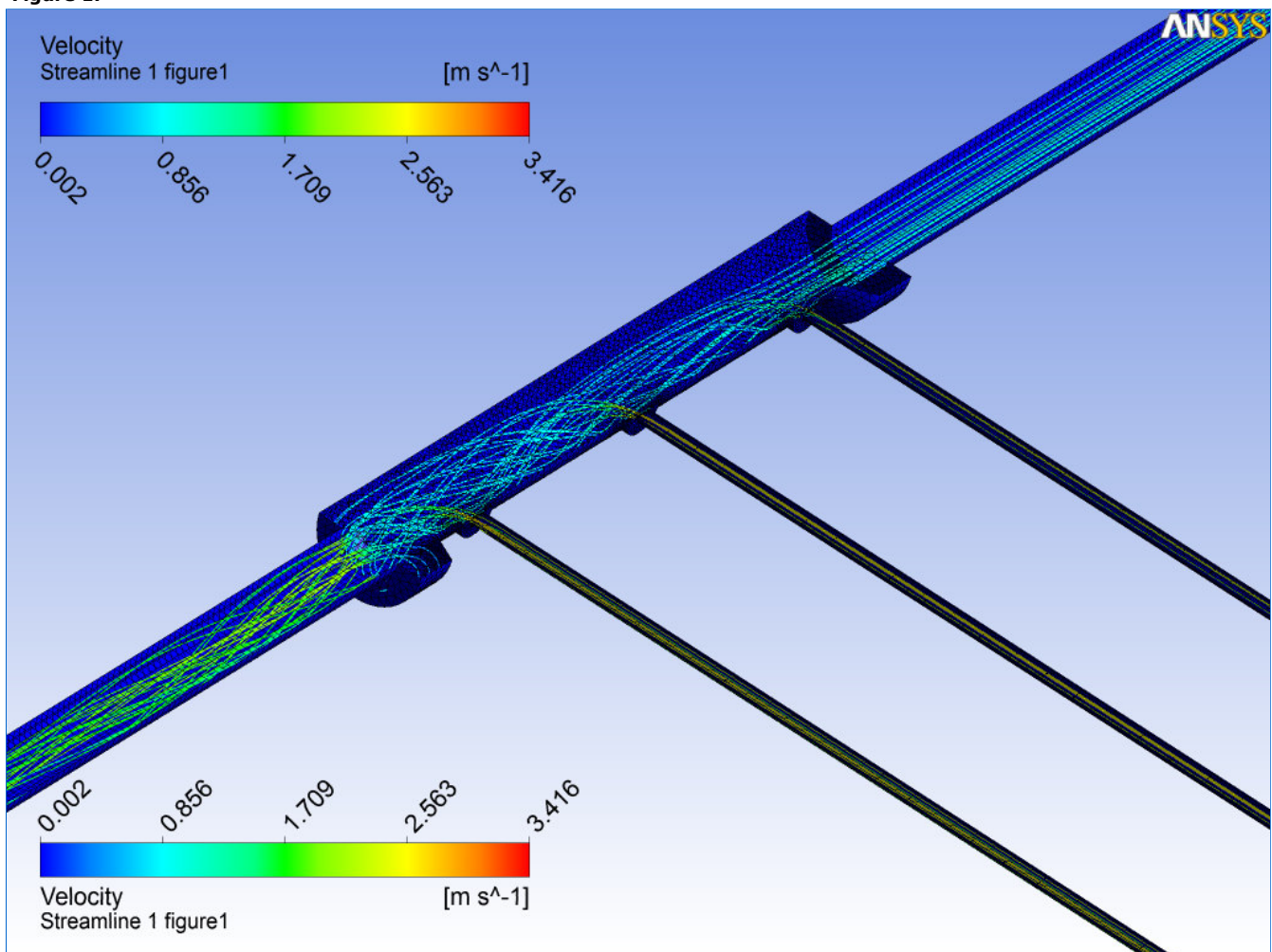
Domain	Boundaries	
Domain 1	Boundary - INLET	
	Type	INLET
	Location	F719.668
	<i>Settings</i>	
	Flow Direction	Normal to Boundary Condition
	Flow Regime	Subsonic
	Mass And Momentum	Mass Flow Rate
	Mass Flow Rate	1.4305e-01 [kg s ⁻¹]
	Turbulence	Medium Intensity and Eddy Viscosity Ratio
	Boundary - OUTLET	
	Type	OUTLET
	Location	F610.542
	<i>Settings</i>	
	Flow Regime	Subsonic
	Mass And Momentum	Average Static Pressure
	Pressure Profile Blend	5.0000e-02
	Relative Pressure	3.0000e+01 [psi]
	Pressure Averaging	Average Over Whole Outlet
	Boundary - SYMMETRY	
	Type	SYMMETRY
	Location	F1148.1145, F1149.1146, F1150.1147, F543.542, F611.641, F612.652, F613.661, F614.662, F615.663, F616.664, F617.665, F618.666, F619.667, F620.642, F622.643, F624.644, F626.645, F627.646, F628.647, F629.648, F630.649, F631.650, F632.651, F633.653, F634.654, F635.655, F636.656, F637.657, F638.658, F639.659, F640.660, F685.668, F694.669, F703.670, F706.671, F715.672, F717.673, F720.674, F722.675, F735.676, F738.677, F742.678, F748.680, F756.683
	<i>Settings</i>	
	Boundary - Domain 1 Default	
Type	WALL	
Location	F544.654, F545.641, F546.641, F547.660, F548.641, F549.641, F550.663, F551.664, F552.662, F553.662, F554.662, F555.666, F556.655, F557.662, F558.662, F559.662, F560.655, F561.666, F562.658, F563.662, F564.667, F565.662, F566.642, F567.662, F568.659, F569.665, F570.665, F571.643, F572.665, F573.665, F574.644, F575.665, F576.665, F577.645, F578.645, F579.646, F580.646, F581.665, F582.665, F583.665, F584.542, F585.652, F586.641, F587.647, F588.647, F589.657, F590.641, F591.648, F592.641, F593.649, F594.641, F595.661, F596.661, F597.661, F598.651, F599.650, F600.661, F601.661, F602.661, F603.650,	

	F604.651, F605.656, F606.661, F607.653, F608.661, F609.661, F684.669, F686.669, F687.669, F688.669, F689.669, F690.669, F691.669, F692.669, F693.671, F695.671, F696.671, F697.671, F698.671, F699.671, F700.671, F701.671, F702.671, F704.670, F705.672, F707.672, F708.672, F709.672, F710.672, F711.672, F712.672, F713.672, F714.672, F716.673, F718.674, F721.668, F723.675, F724.675, F725.675, F726.675, F727.675, F728.675, F730.675, F732.675, F734.675, F736.676, F737.676, F739.1145, F740.1145, F741.677, F743.677, F745.678, F746.678, F747.1146, F749.1146, F751.680, F752.680, F754.1147, F755.1147, F757.683
	<i>Settings</i>
Mass And Momentum	No Slip Wall
Wall Roughness	Smooth Wall

4. User Data

Table 5.

tube number	mass flow (g/sec)	loop delta T (C)
one	24.411	1.797
two	24.420	1.797
three	24.525	1.789
four	23.858	1.839
five	23.917	1.834
six	23.927	1.834
seven	23.532	1.864
eight	23.582	1.860
nine	23.588	1.860
ten	23.432	1.872
eleven	23.427	1.873
twelve	23.407	1.874

Figure 1.**Figure 2.**

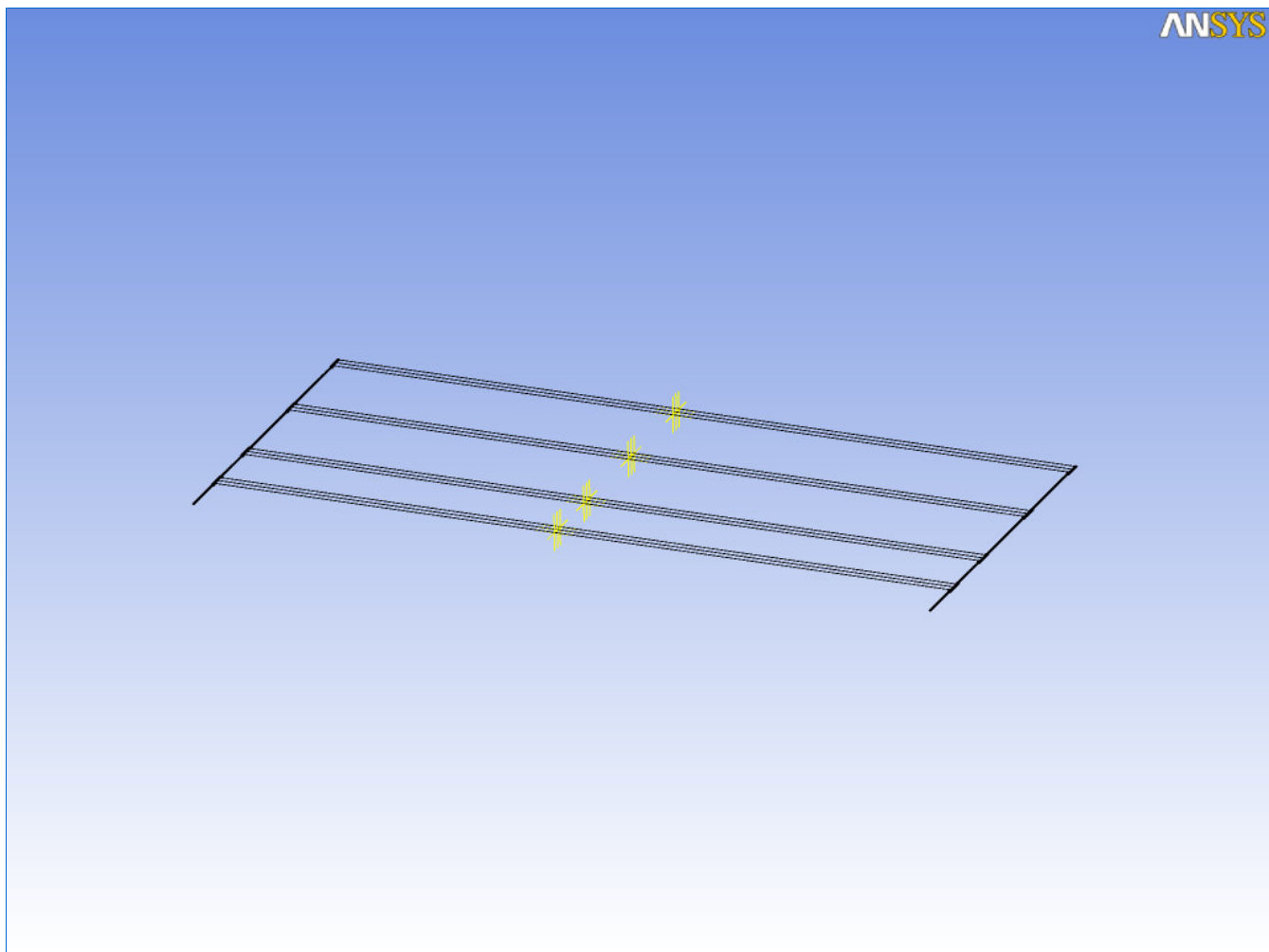


Figure 3.

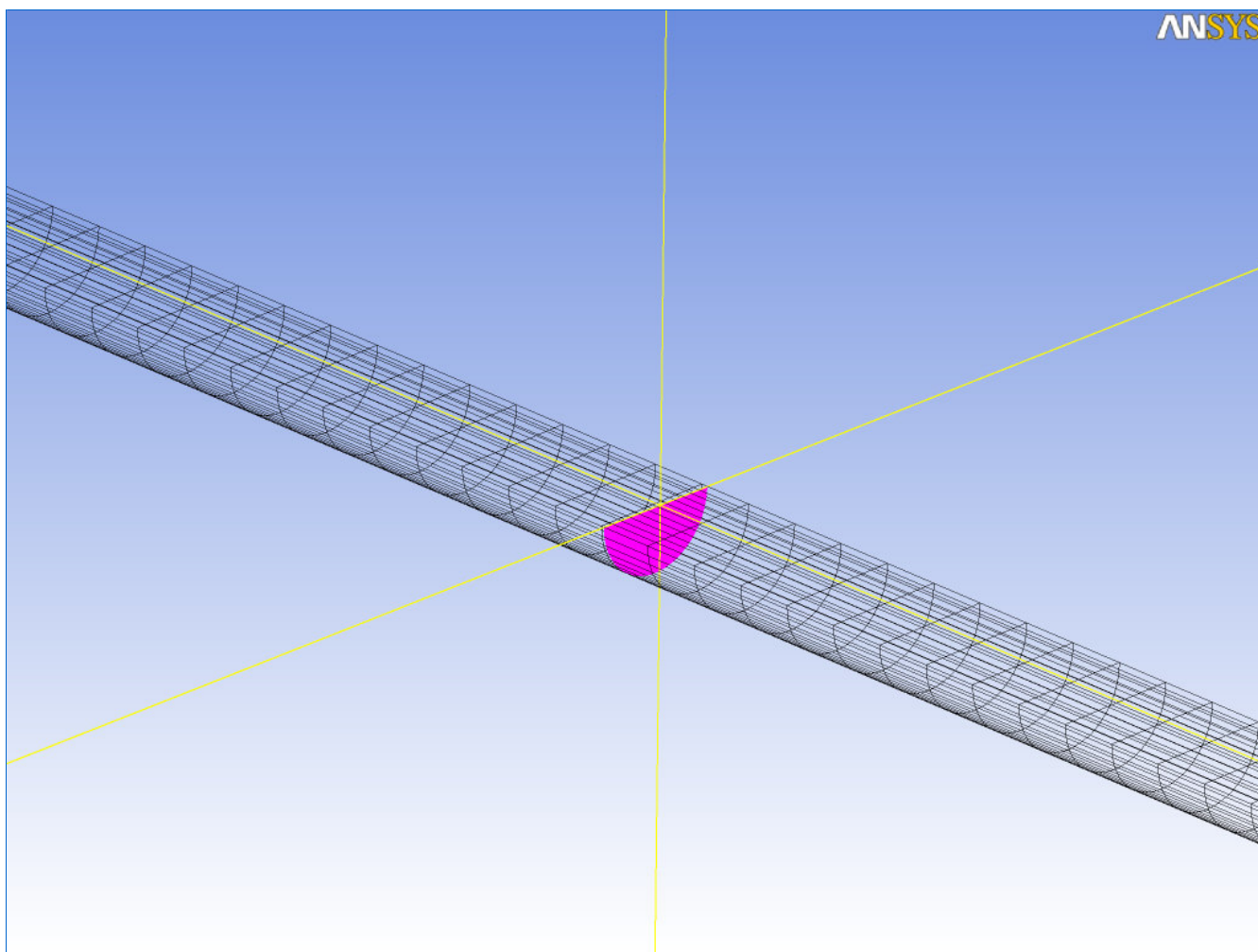


Figure 4.

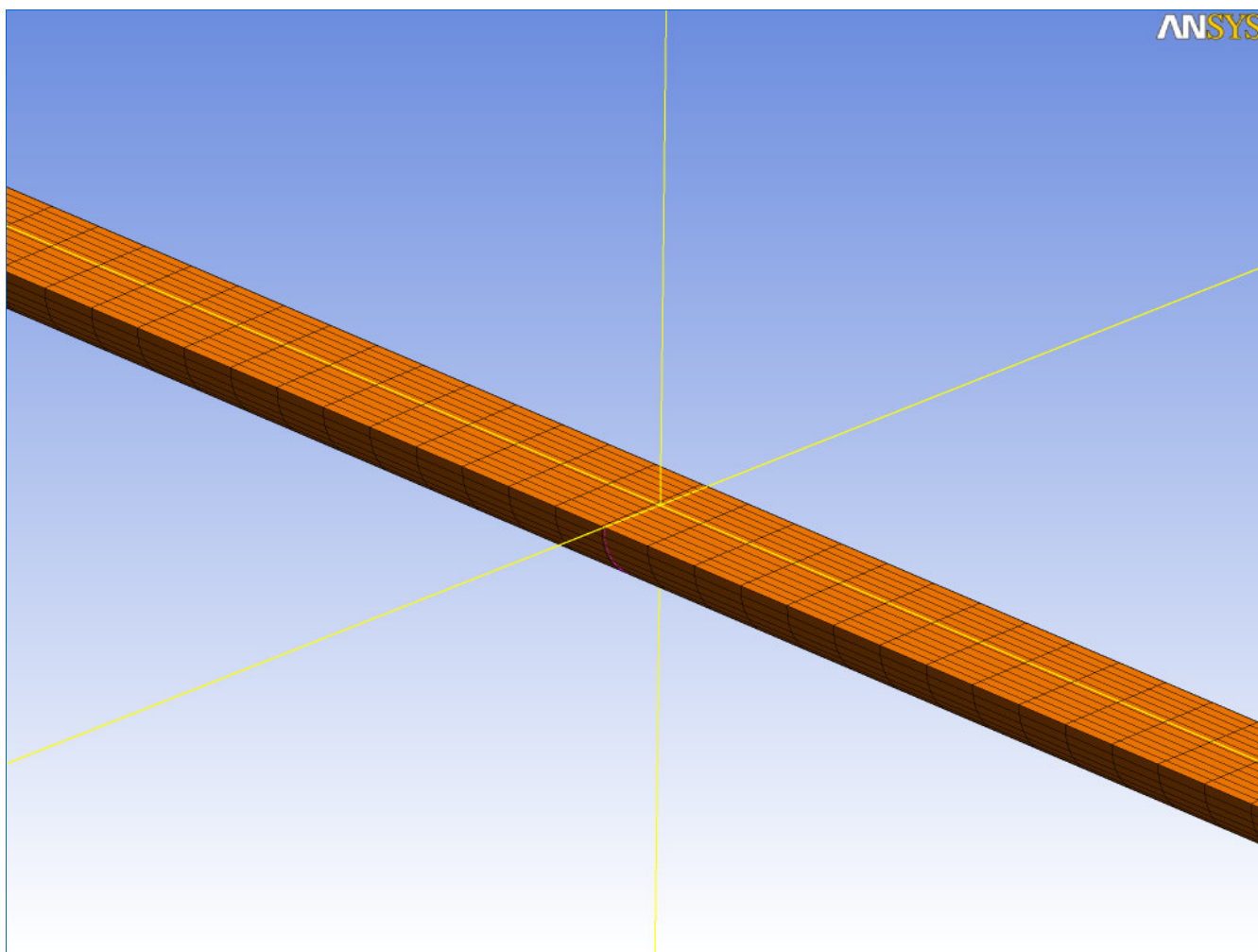


Figure 5.

