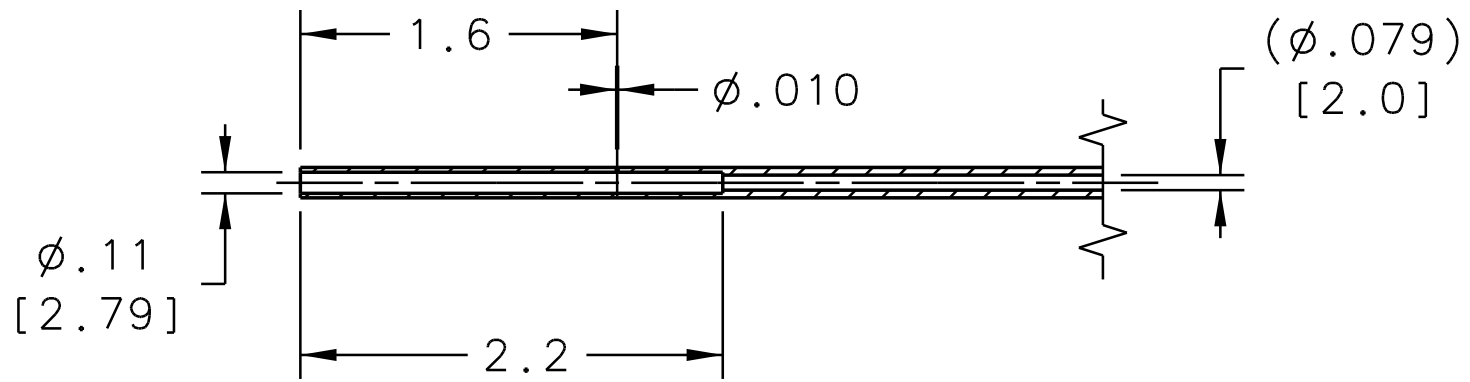
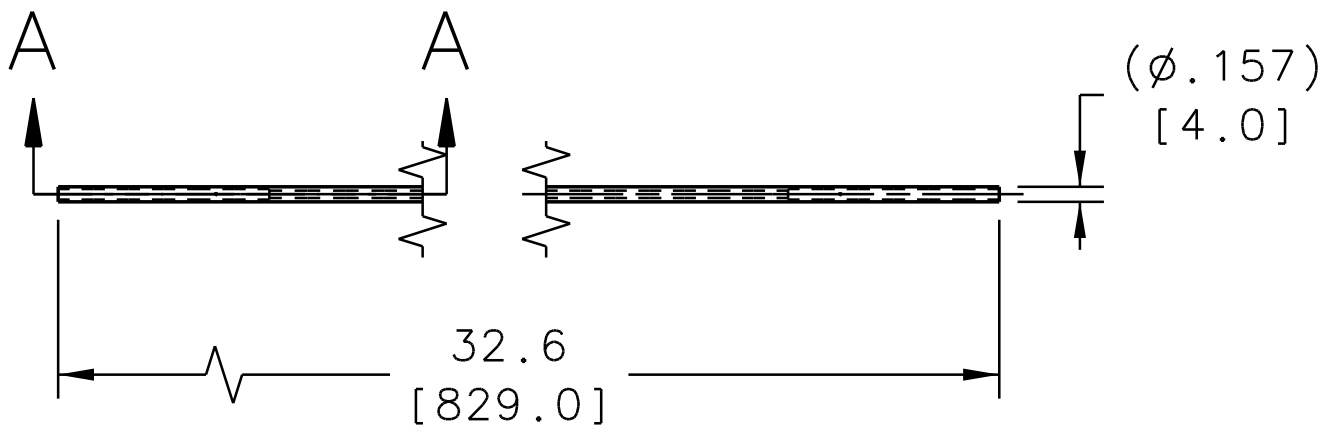


| REVISION HISTORY |             |      |          |
|------------------|-------------|------|----------|
| REV              | DESCRIPTION | DATE | APPROVED |



SECTION A-A  
BOTH ENDS  
SCALE 1:1

|   |
|---|
| DOCUMENT CONTROL STAMP  |
| MATERIAL<br>COPPER TUBING<br>4 MM OD X 2 MM ID                |
| FINISH<br>MACHINED SURFACES<br>DEBURR & BREAK ALL SHARP EDGES |
| DO NOT SCALE DRAWING  |

|  |                                  |        |
|--|----------------------------------|--------|
| DIM & TOL PER ASME Y14.5.<br>UNLESS OTHERWISE SPECIFIED<br>DIMENSIONS ARE IN INCHES<br>TOLERANCES ARE: |                                  |        |
| FRACTIONS  | DECIMAL                          | ANGLES |
| ±N/A   | .X ±.1<br>.XX ±.01<br>.XXX ±.005 | ±.50°  |
| THIRD ANGLE PROJECTION   |                                  |        |
|  |                                  |        |

|                          |         |
|--------------------------|---------|
| TRACKING NO.<br>N/A      |         |
| APPROVALS                | DATE    |
| DRAWN<br>R. GETZ         | 30JAN13 |
| CHECKED<br>C. HUTTON     |         |
| APPROVED<br>W. CRAHEN    |         |
| APPROVED<br>T. WHITLATCH |         |

|   |                                    |                           |         |
|---|------------------------------------|---------------------------|---------|
| United States Department of Energy  |                                    | <br>Newport News Virginia |         |
| HALL D - GLUEX<br>TEST SETUP<br>FORWARD DRIFT CHAMBER<br>TUBE-4mm OD TAPPED |                                    |                           |         |
| SIZE<br><b>B</b>  | DWG. NO.<br>D00000-13-03-2020      | REV.<br>-                 |         |
| SCALE<br>1:2  | USED ON ASSY NO. D00000-13-03-1010 | SHEET<br>1                | OF<br>1 |