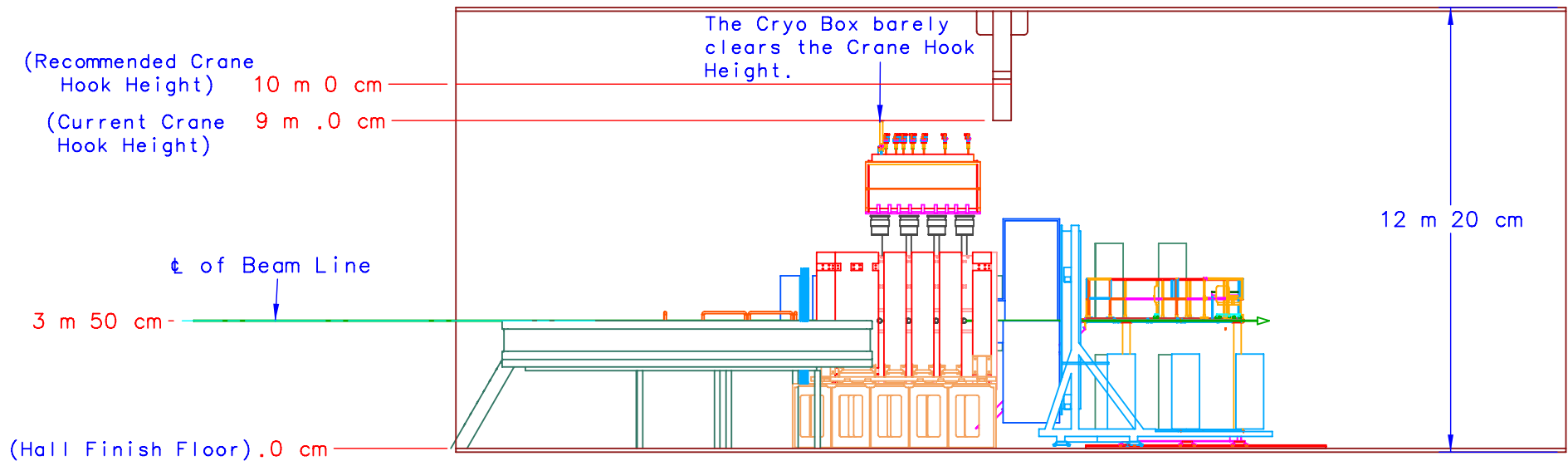


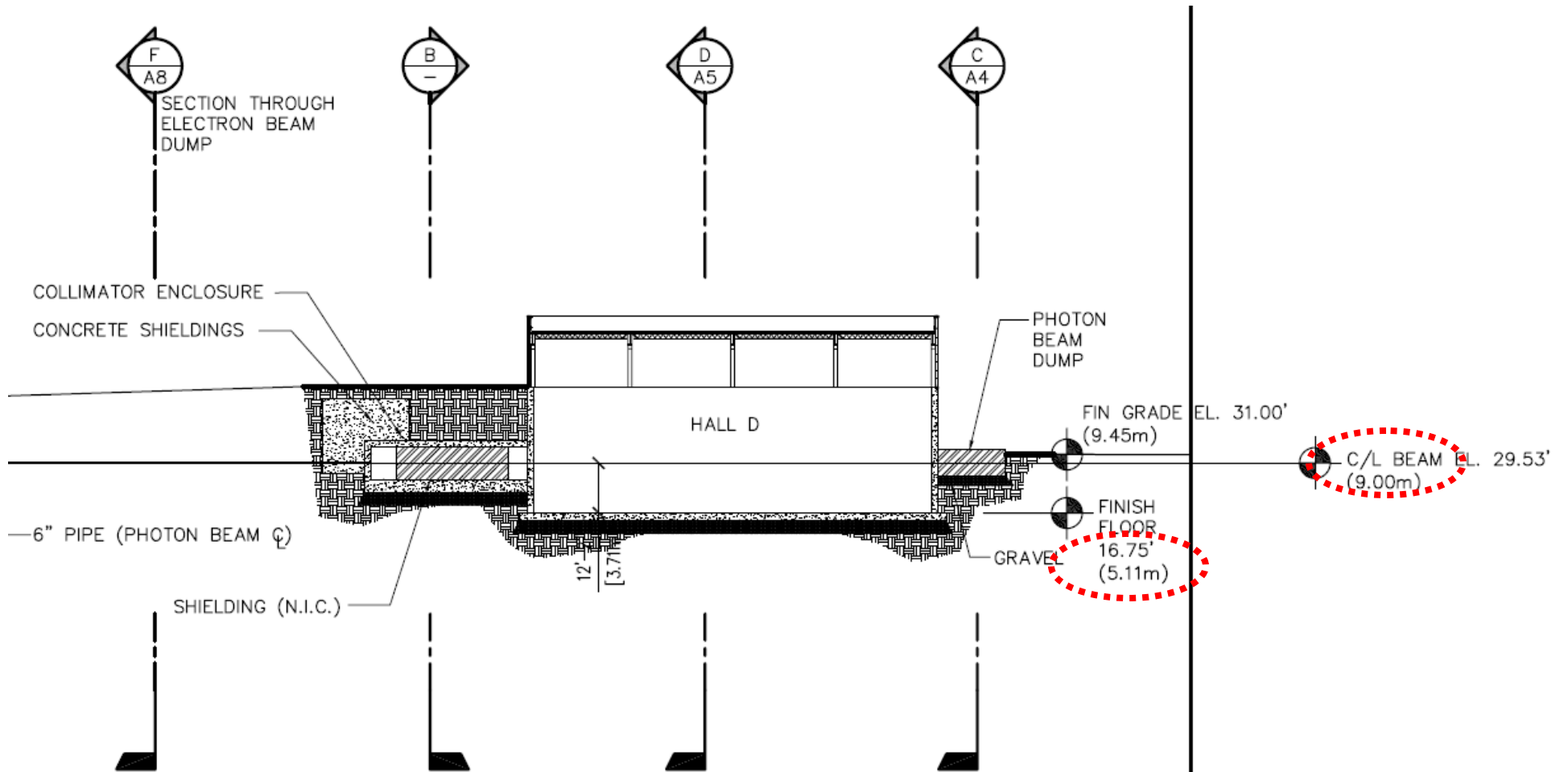
Hall D Civil and Cryogenic Issues

Ravi Anumagalla

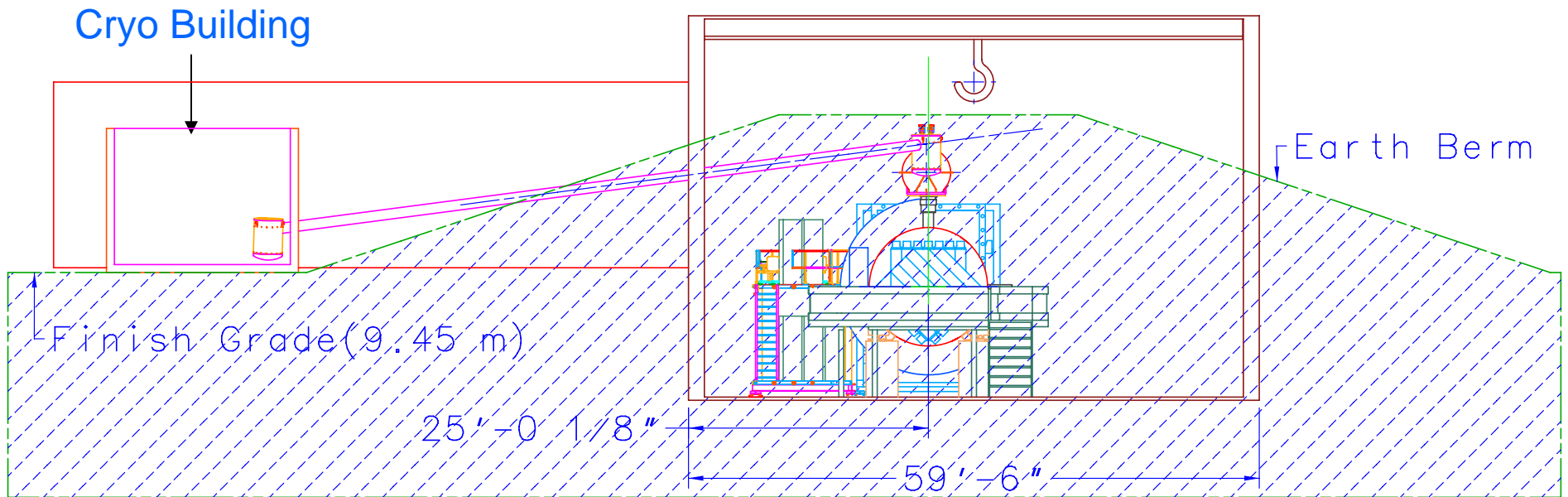
Hall D Side View



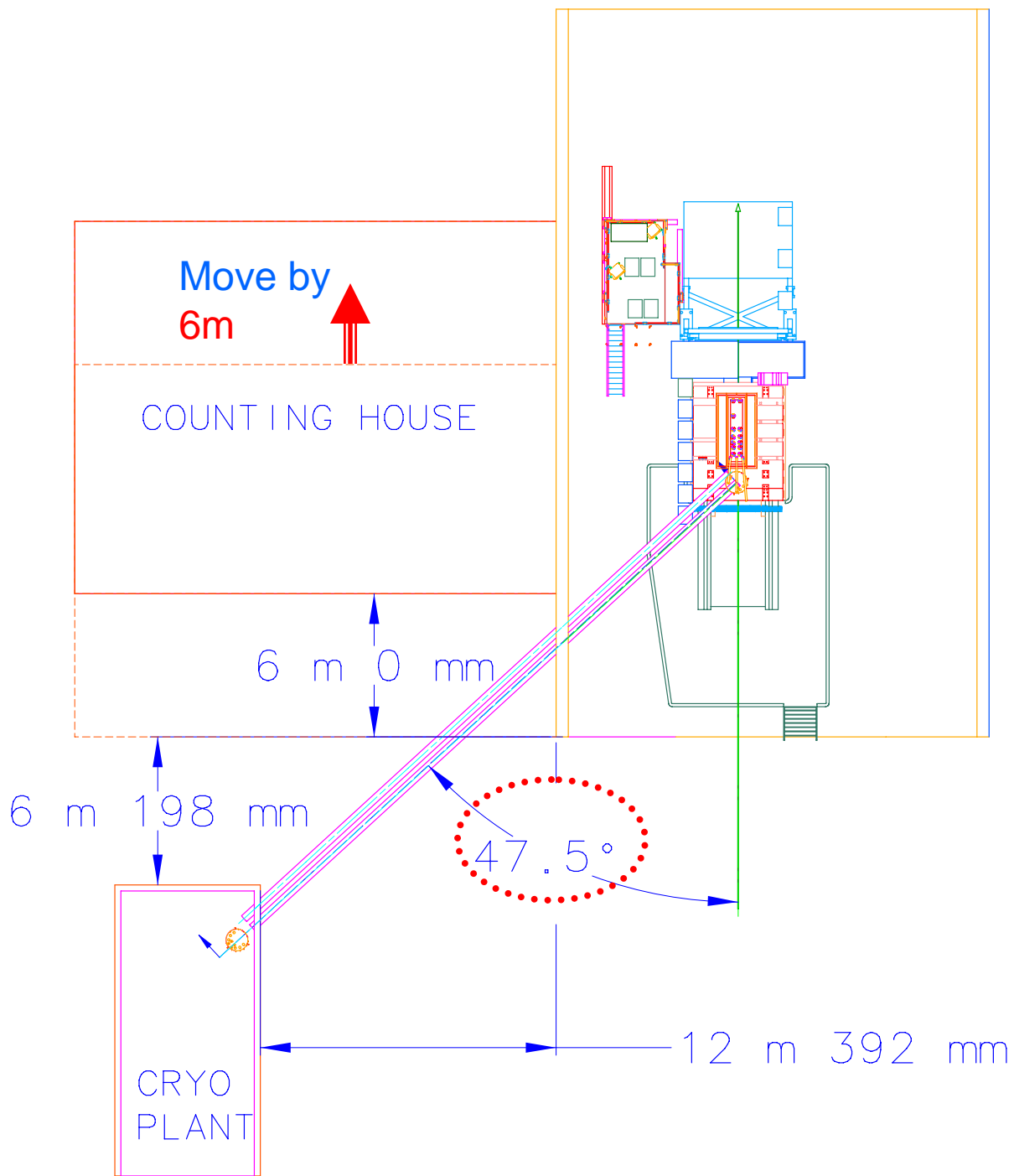
The Required Crane Hook Height wrt Finish Floor is **10 m** or higher.



The Required Beam Height wrt Finish Floor is 3.5 m, Civil Drawings show a height of 3.89 m (9.00-5.11).

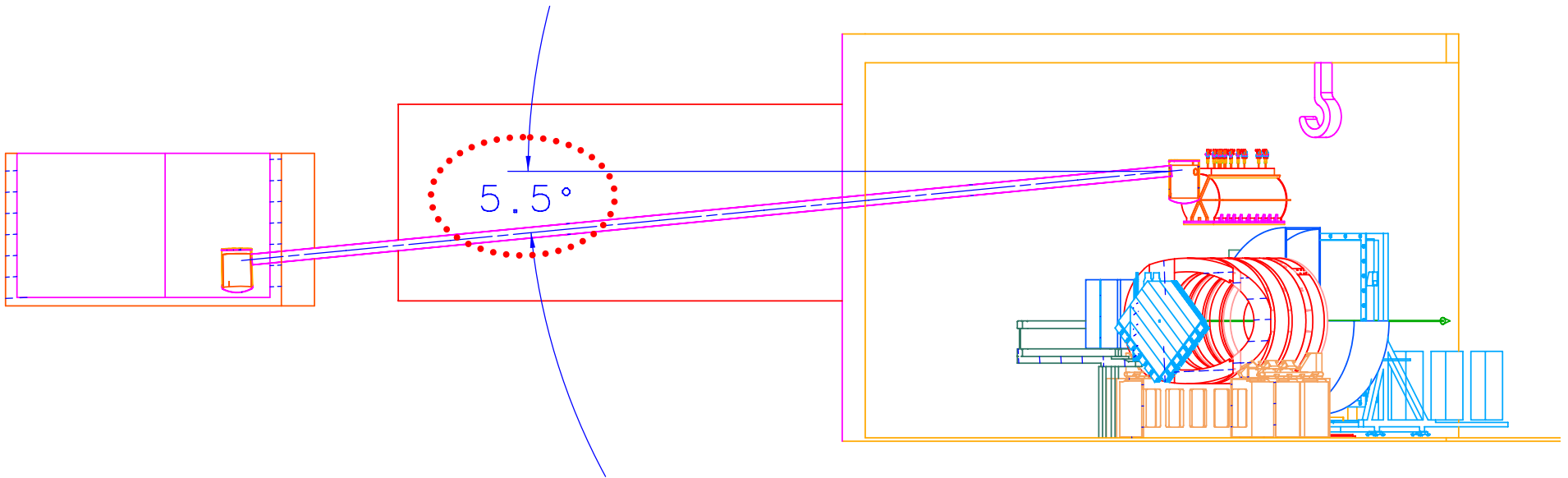


- The Cryo Building is exactly located at the end of the Earth Berm
- The length of the Transfer line required for this setup is **91 ft (27.5 m)**



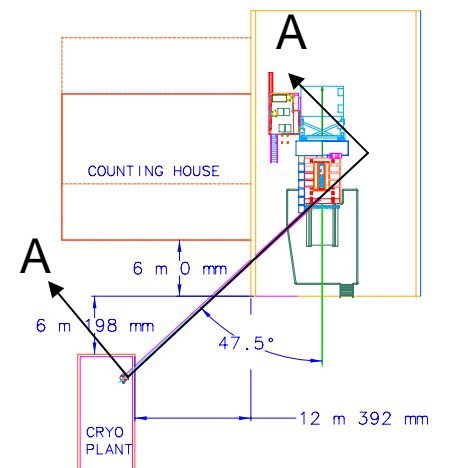
- Counting House should be moved by **6 m** to facilitate the installation Transfer Line
- A **47.5 Deg** Angle for the transfer line fits perfect to the current location of the Cryo Building

Transfer Line Orientation

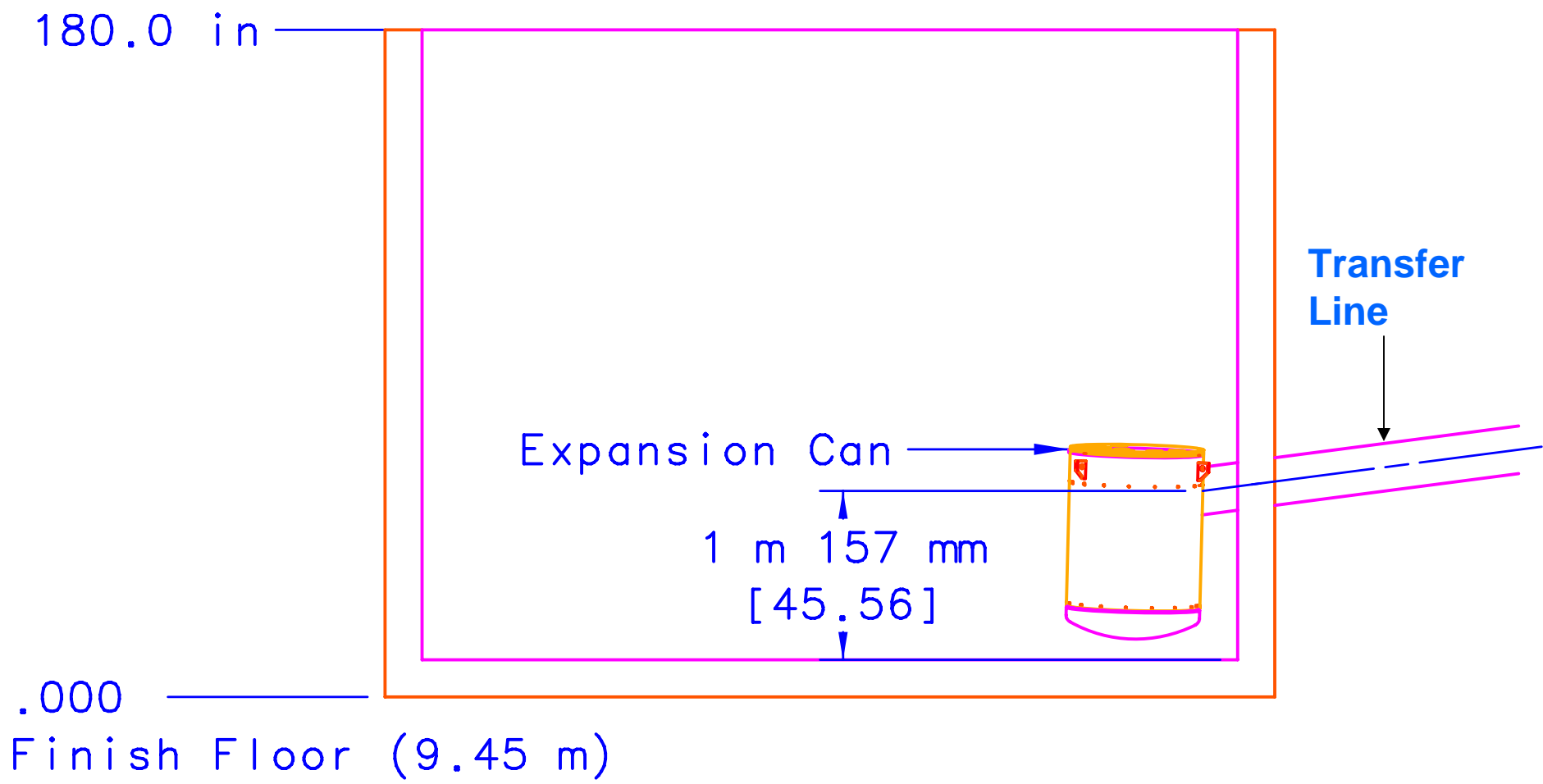


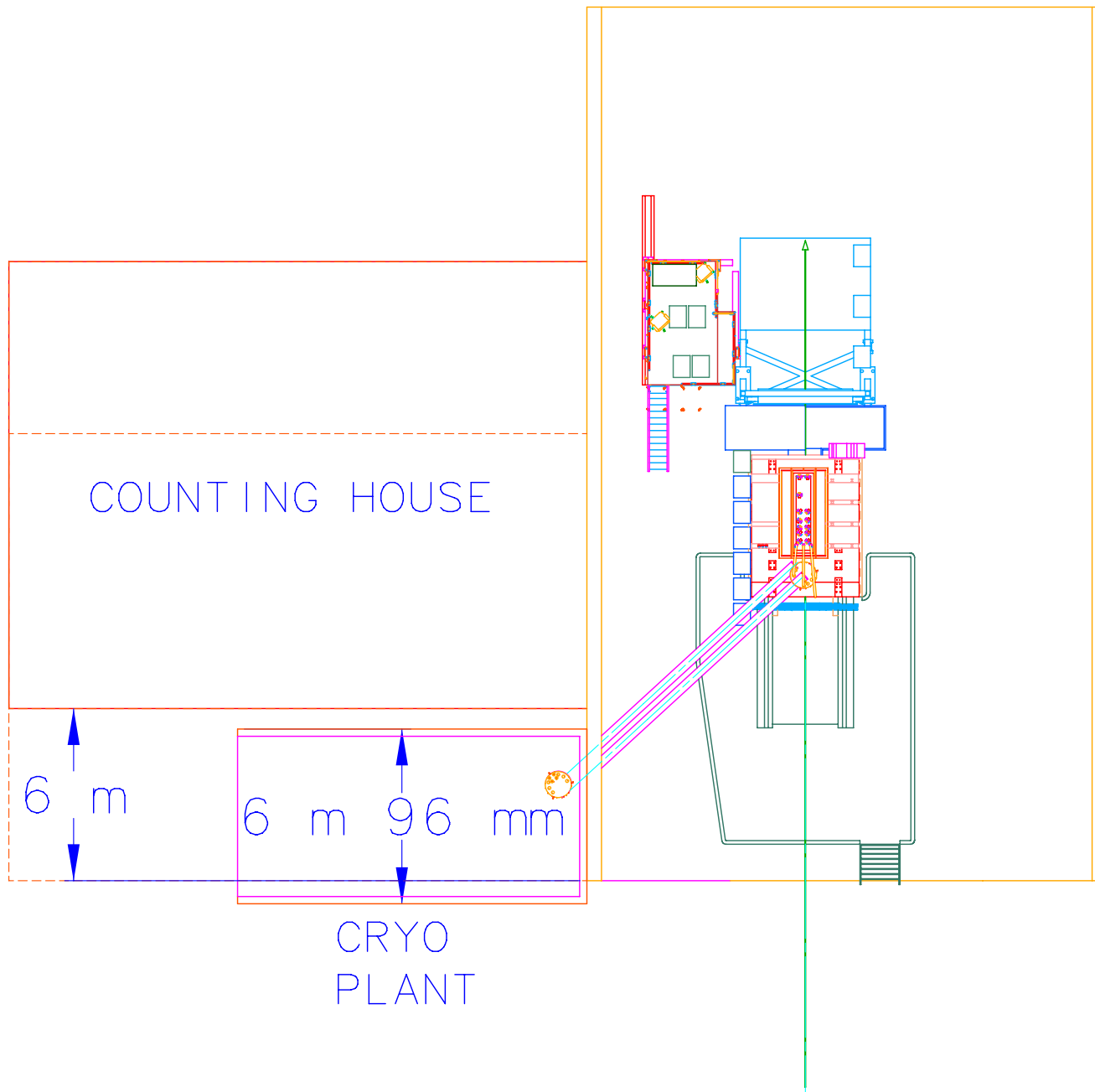
The above figure shows Section A-A Along the Transfer Line

The Transfer line is at angle of **5.5 Deg** wrt to the horizontal

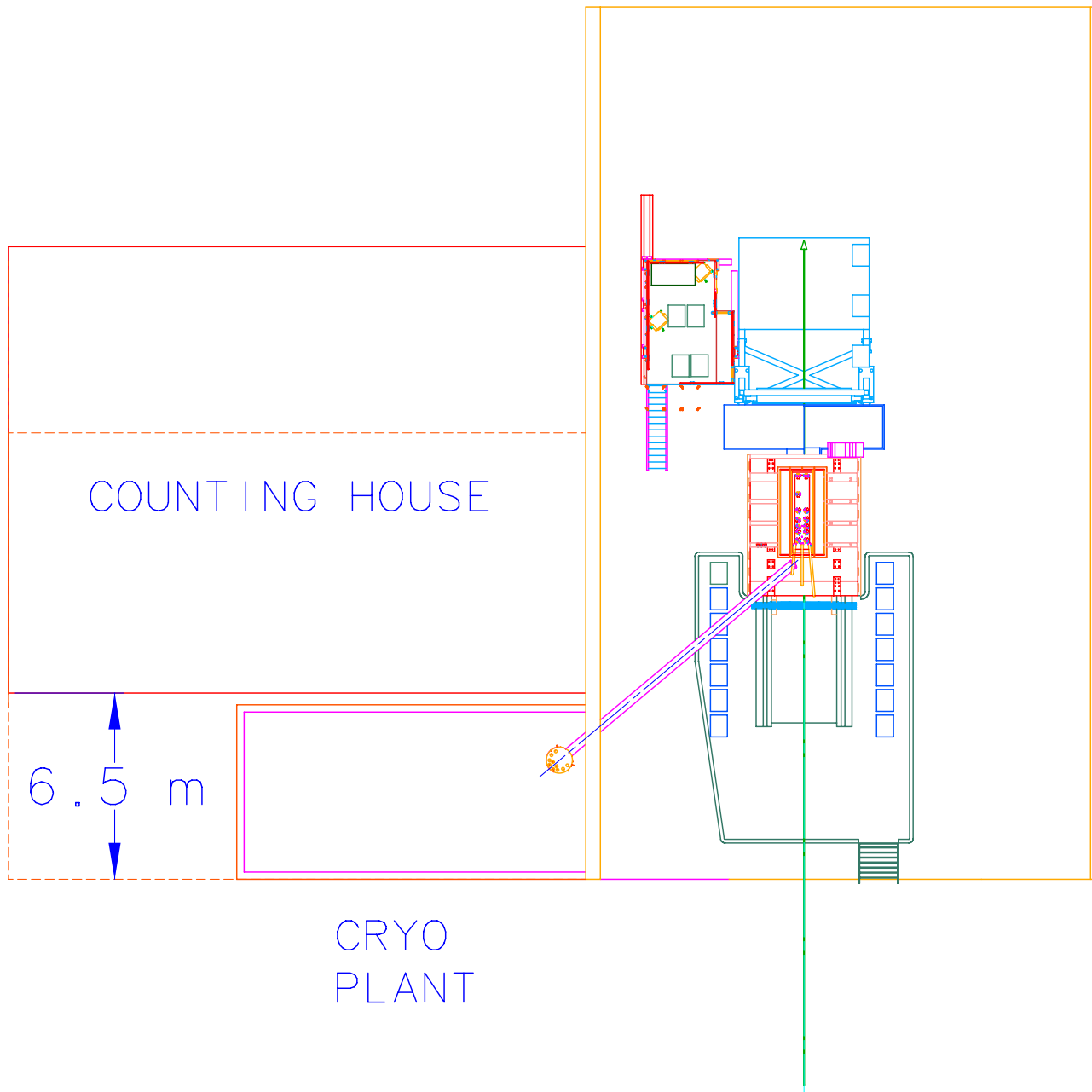


Cryo Plant End View





- Counting House should be moved by **6 m** to facilitate the installation of Transfer Line
- With the current setup, the length of the transfer line reduced to **9.5 m** compared to **27.5 m** with the earlier setup.



- Counting House should be moved by **6.5 m** to facilitate the installation of Transfer Line
- With the current setup, the length of the transfer line is reduced to **9.5 m** compared to **27.5 m** with the earlier setup.

