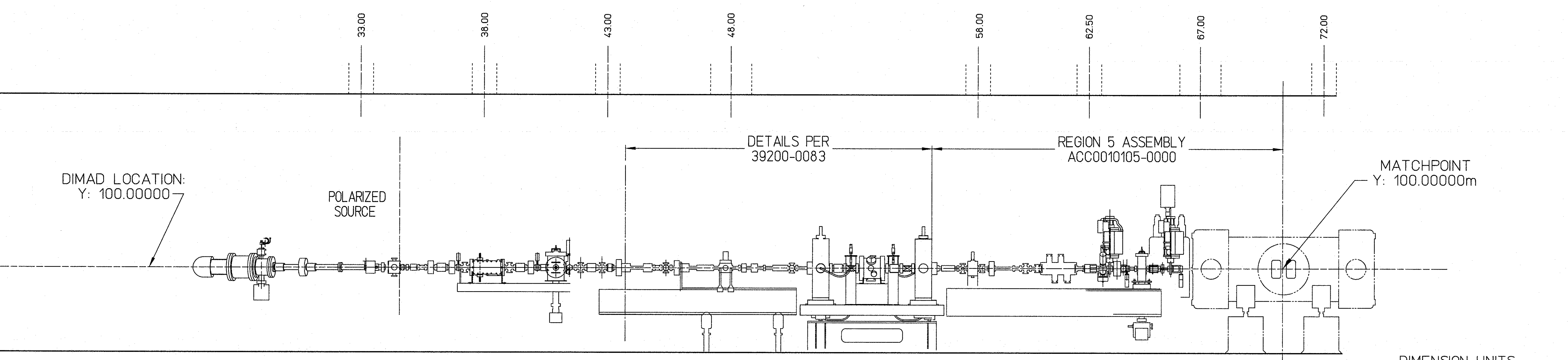
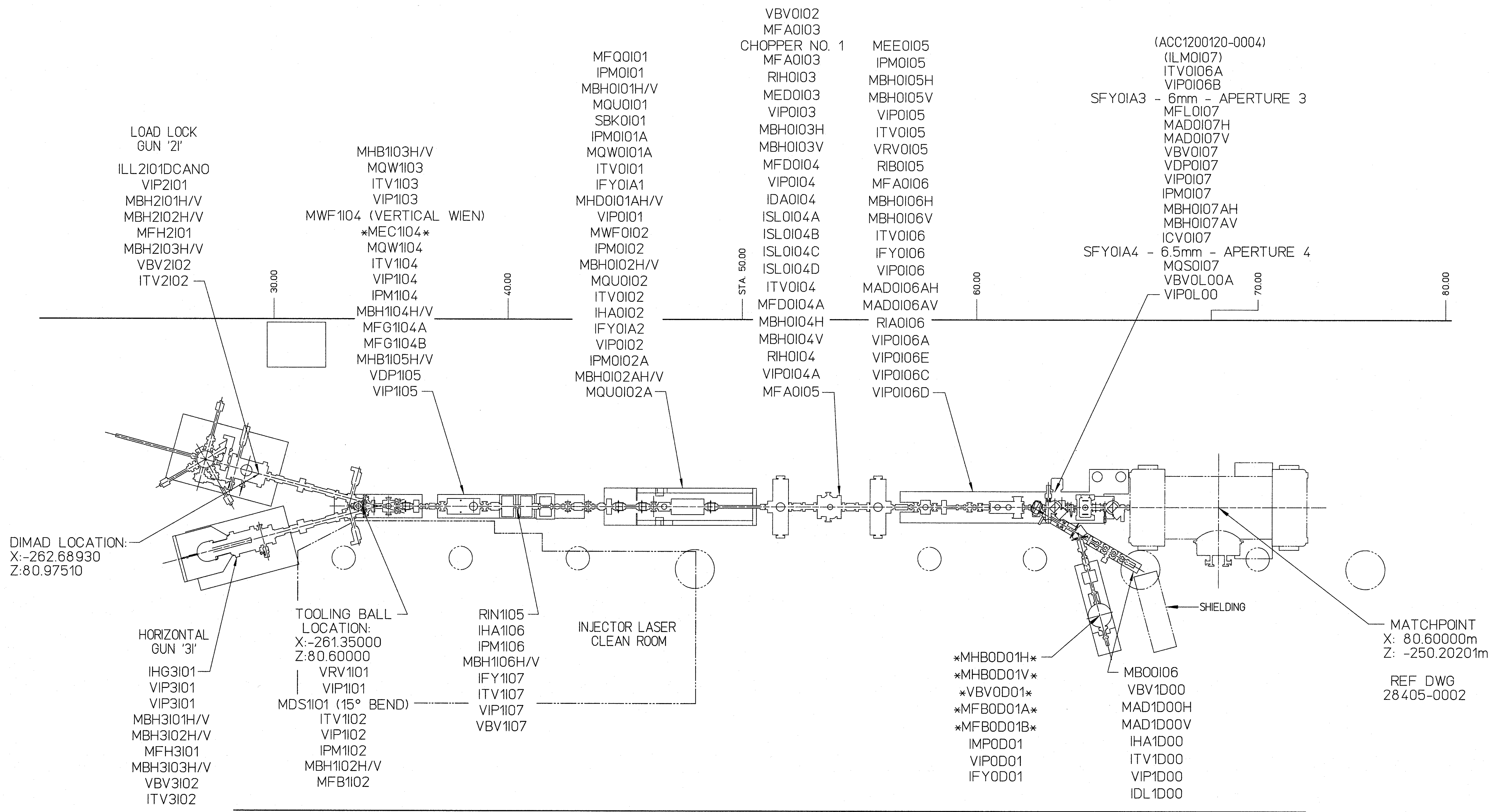


REVISION HISTORY				
ZONE	REV	DESCRIPTION	DATE	APPROVED
Z		INCORPORATE ECO NO. 1043	18 SEPT 09	N. Wilson
AA		INCORPORATE ECO NO. 1044	22 FEB 10	S. Suhning
AB		INCORPORATE ECO NO. 1045	04 OCT 10	S. Suhning
AC		INCORPORATE ECO NO. 1047	09 NOV 10	N. Wilson



**LEGEND**  
(Indicating Lowest Energy Line Shown)

- 0I - Injector
- 0L - Pre-accelerator
- 2R - Second Recombiner
- 1L - First Linac
- 1S - First Spreader
- 1E - First Extractor
- 1A - First Arc
- 1R - First Recombiner
- 2L - Second Linac
- 2S - Second Spreader
- 2E - Second Extractor
- 2A - Second Arc
- 2C - Transport Channel

**DIMENSION UNITS**  
 XX.XXXXXm = METERS  
 (XXX.XX) = INCHES  
 XXX.XXX = DECIMAL FEET  
 XX'-XX" = FEET - INCHES

**GRAPHIC SCALE - FEET**

AREA	SIGNATURE	DATE	CADD ID. NO.
VAC	J. Parkinson	02/27/96	284050001revAC
INSTR	K.B. Capek	02/27/96	
MAG	M. Wiseman	03/05/96	
OFS	S. Suhning	02/29/96	
ALIGN	C. Curtis	02/26/96	

**GENERAL NOTES:**

- (XXXXXX) ELEMENTS ARE NOT IN BEAM LINE.
- \*XXXXXX\* DENOTES ELEMENTS IN THE BEAM LINE WITHOUT POWER.

**KEY PLAN**

**DO NOT SCALE DRAWING**

APPROVALS	DATE
DRAWN: Jack R. Smith	02/24/96
CHECKED: Chris Graves	02/27/96
APPROVED: W. Oren	03/06/96
APPROVED: SEE LEFT	

DRAWN: Jack R. Smith  
 CHECKED: Chris Graves  
 APPROVED: W. Oren  
 APPROVED: SEE LEFT

CADD ID. NO. 284050001revAC  
 BEAM TRANSPORT MACHINE CONFIGURATION INJECTOR REGION  
 SIZE/DWG. NO. 28405-E-0001  
 USED ON ASSY NO. 28401-E-0001 SHEET 1 OF 1