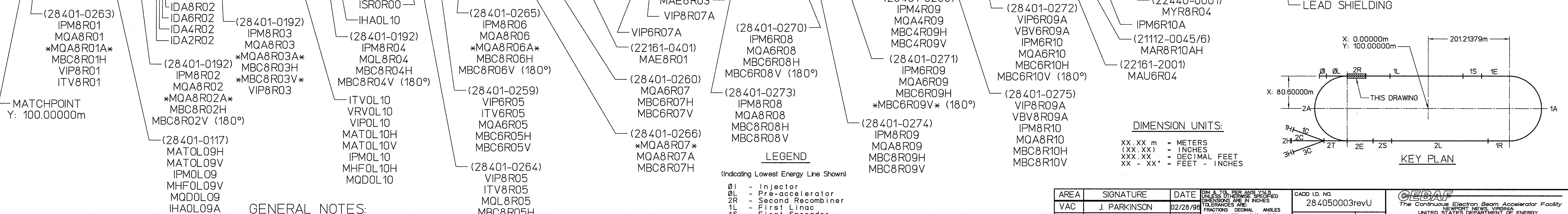
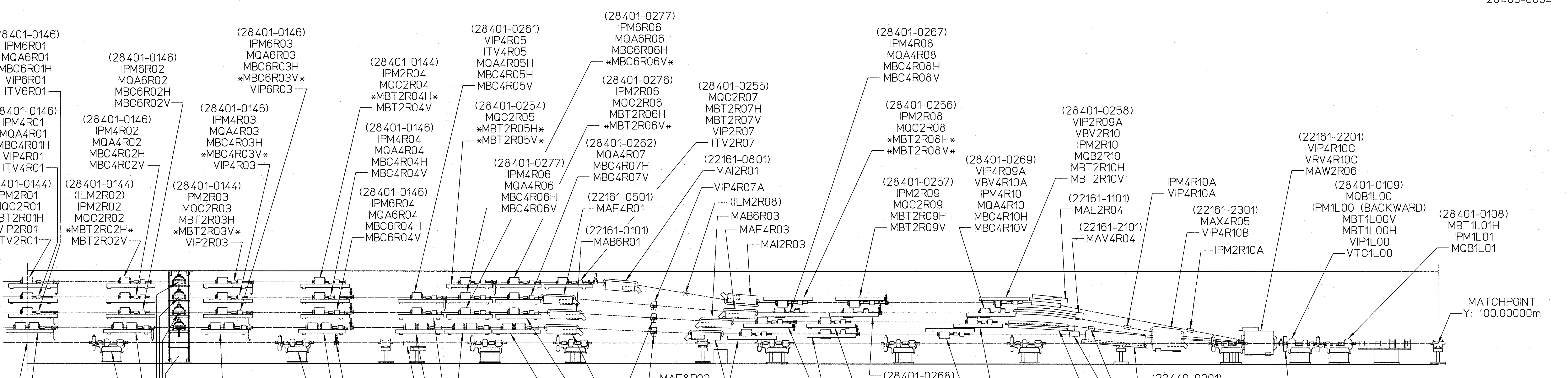
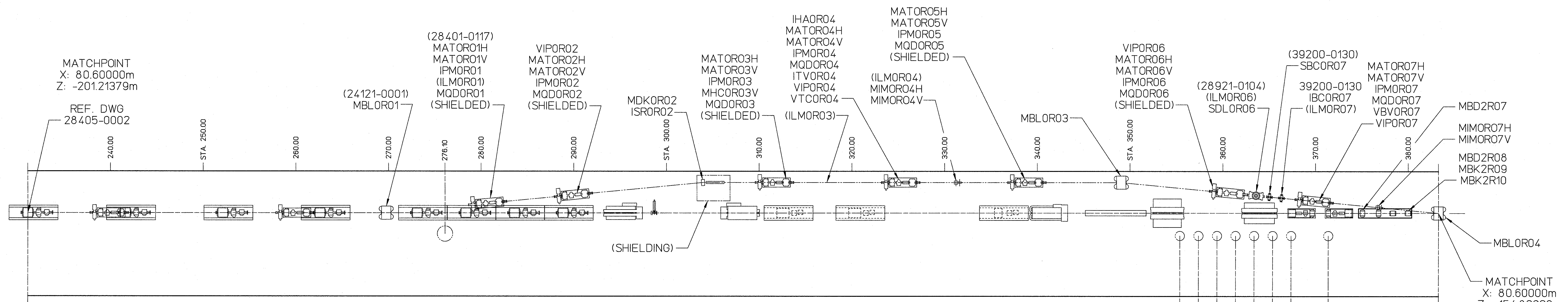
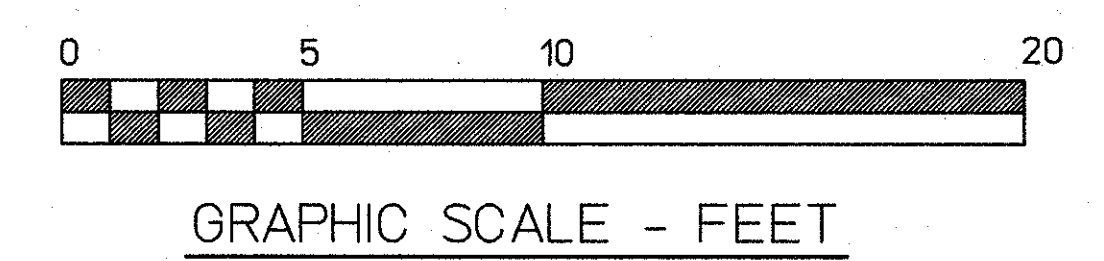


REVISION HISTORY				
ZONE	REV	DESCRIPTION	DATE	APPROVED
R	INCORP. ECO #1034.		14NOV05 07DEC05	T. Whillich S. Suhring
S	INCORP. ECO #1036.		09JAN07 10JAN07	T. Whillich S. Suhring
T	INCORP. ECO #1038.		30NOV07 31JAN08	N. Wilson S. Suhring
U	INCORPORATE ECO NO. 1047		9-AUG-11 09AUG11	S. Suhring



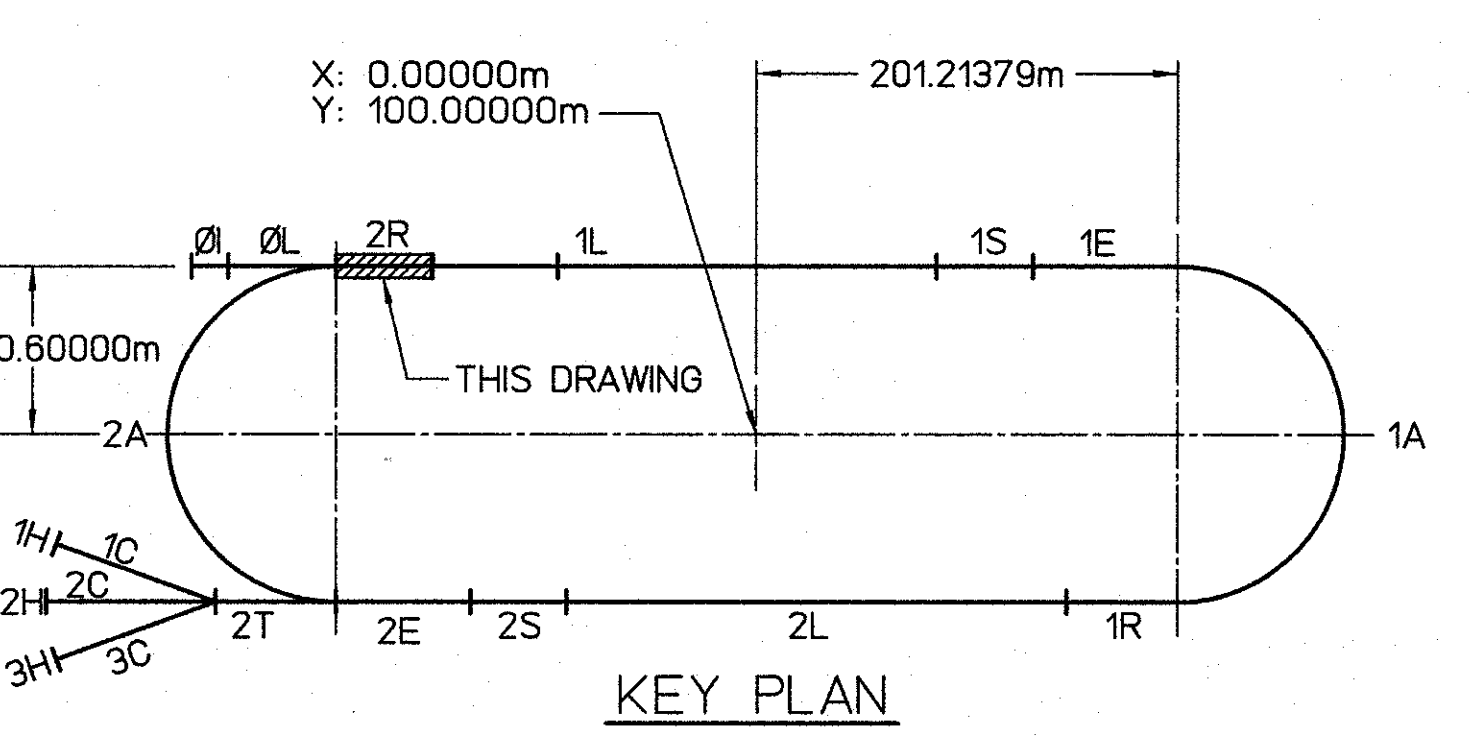
**GENERAL NOTES:**

- ARC TYPE GIRDER ELEMENT ASSY & DWG NO SEE CEBAF SPEC 28401-S-007.
- \*XXXXXX\*-DENOTES ELEMENTS IN BEAM WITHOUT POWER/SCREENS.



- LEGEND**  
(Indicating Lowest Energy Line Shown)
- 0I - Injector
  - 0L - Pre-accelerator
  - 2R - Second Recombiner
  - 1L - First Linac
  - 1S - First Spreader
  - 1E - First Extractor
  - 1A - First Arc
  - 1R - First Recombiner
  - 2L - Second Linac
  - 2C - Second Spreader
  - 2E - Second Extractor
  - 2A - Second Arc
  - 2C - Transport Channel

AREA	SIGNATURE	DATE	DM & TO PER ANS Y145	CADD ID. NO.
VAC	J. PARKINSON	02/28/98	UNLESS OTHERWISE SPECIFIED DIMENSIONS ARE IN INCHES FRACTIONS ARE DECIMAL ANGLES ARE XXX.X N/A & N/A	284050003revU
INSTR	K. CAPEK	02/27/98		APPROVALS DATE
MAG	M. WISEMAN	03/05/98		DRAWN JACKI R. SMITH 07/07/95
OPS	S. SUHRING	02/27/98		CHECKED C. GRAVES 02/27/98
ALIGN	C. CURTIS	02/26/98		APPROVED W. OREN 03/05/98
				APPROVED SEE LEFT



**DIMENSION UNITS:**  
XX.XX m - METERS  
(XX.XX) - INCHES  
XXX.XX - DECIMAL FEET  
XX'-XX" - FEET - INCHES

**CEBAF**  
The Continuous Electron Beam Accelerator Facility  
NEWPORT NEWS, VIRGINIA  
UNITED STATES DEPARTMENT OF ENERGY

**BEAM TRANSPORT MACHINE CONFIGURATION 2ND RECOMBINER**

28405-E-0003

REV. U

DATE 1/4/8 USED IN ASSY NO. 28401-E-0001 SHEET 1 OF 1

