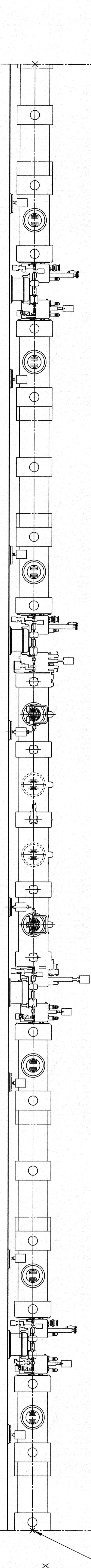
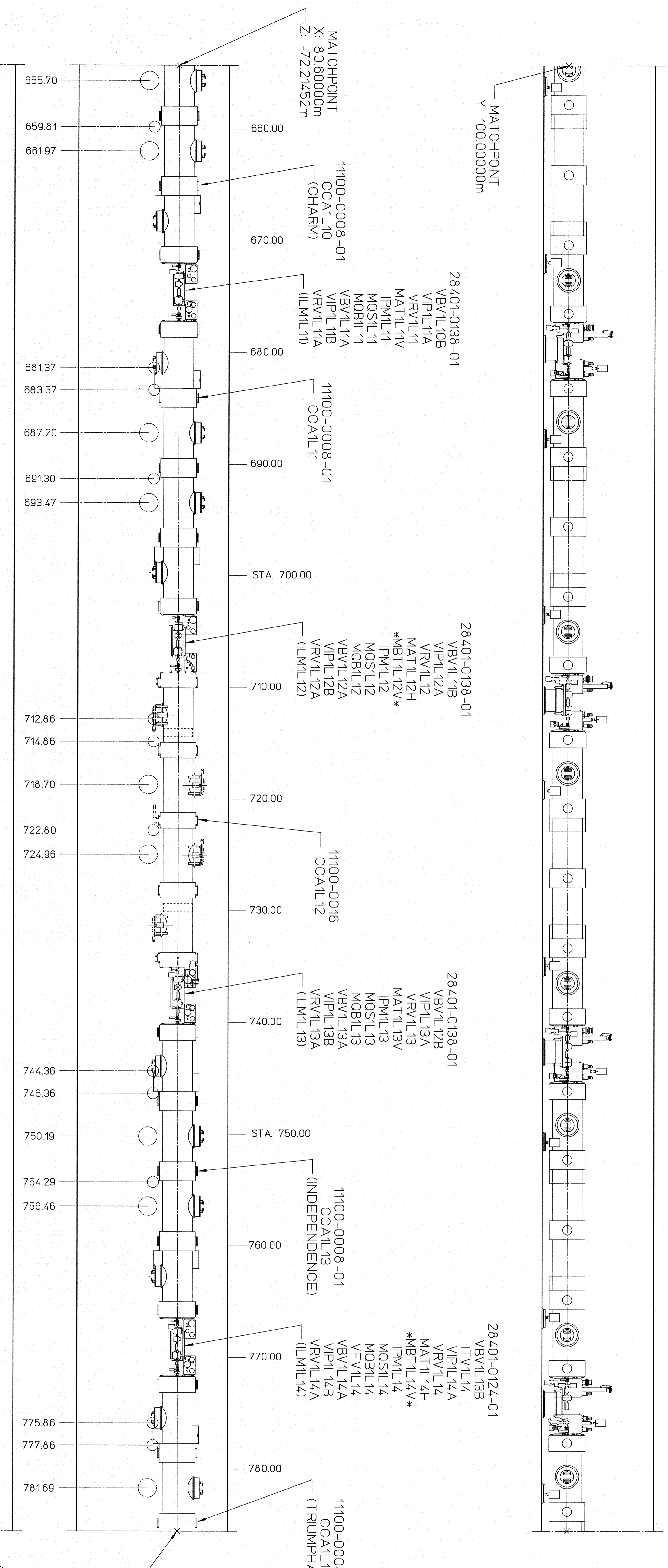
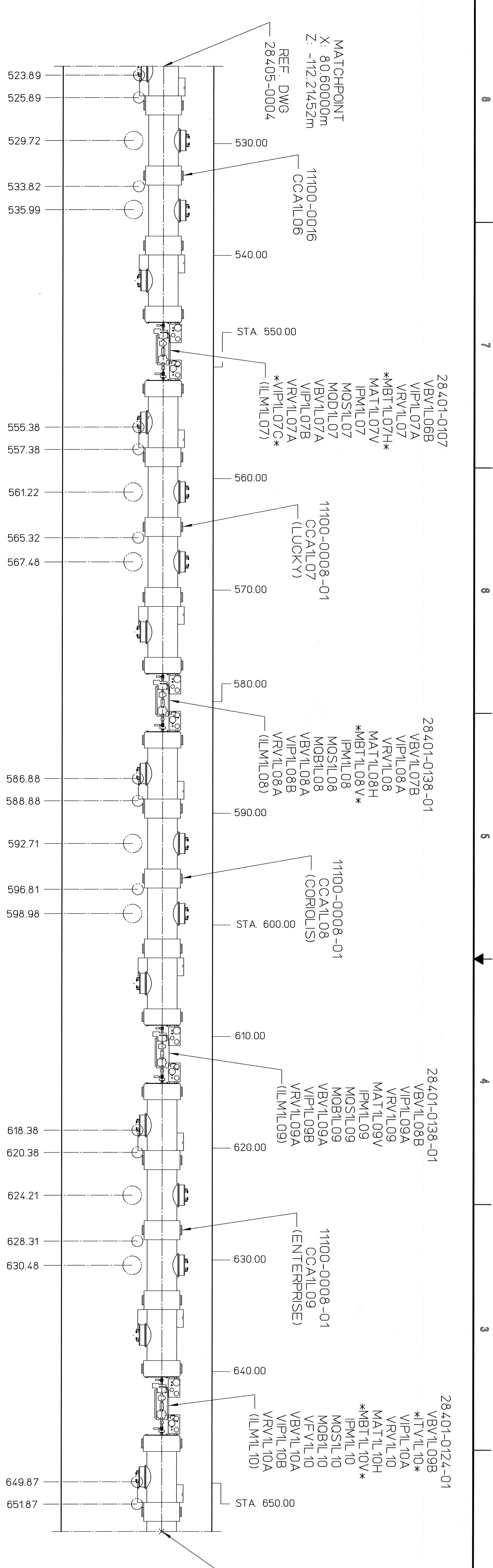


ZONE	REV	DESCRIPTION	DATE	APPROVED
D	NCORP	EEO #1035	30/MAR/06	T. Whittich
E	NCORP	EEO #1038	07/APR/06	S. Shilling
F	NCORP	EEO #1041	JRS 30/07 31/AUG/08	N. Wilson S. Shilling
G	INDICORP	EEO NO. 1043	28/OCT/08 28/OCT/08	N. Wilson S. Shilling
			R/W AIG 09 8/8-04 8/9/05	G. S. Shilling



LEGEND (Indicating Lowest Energy Line Shown)

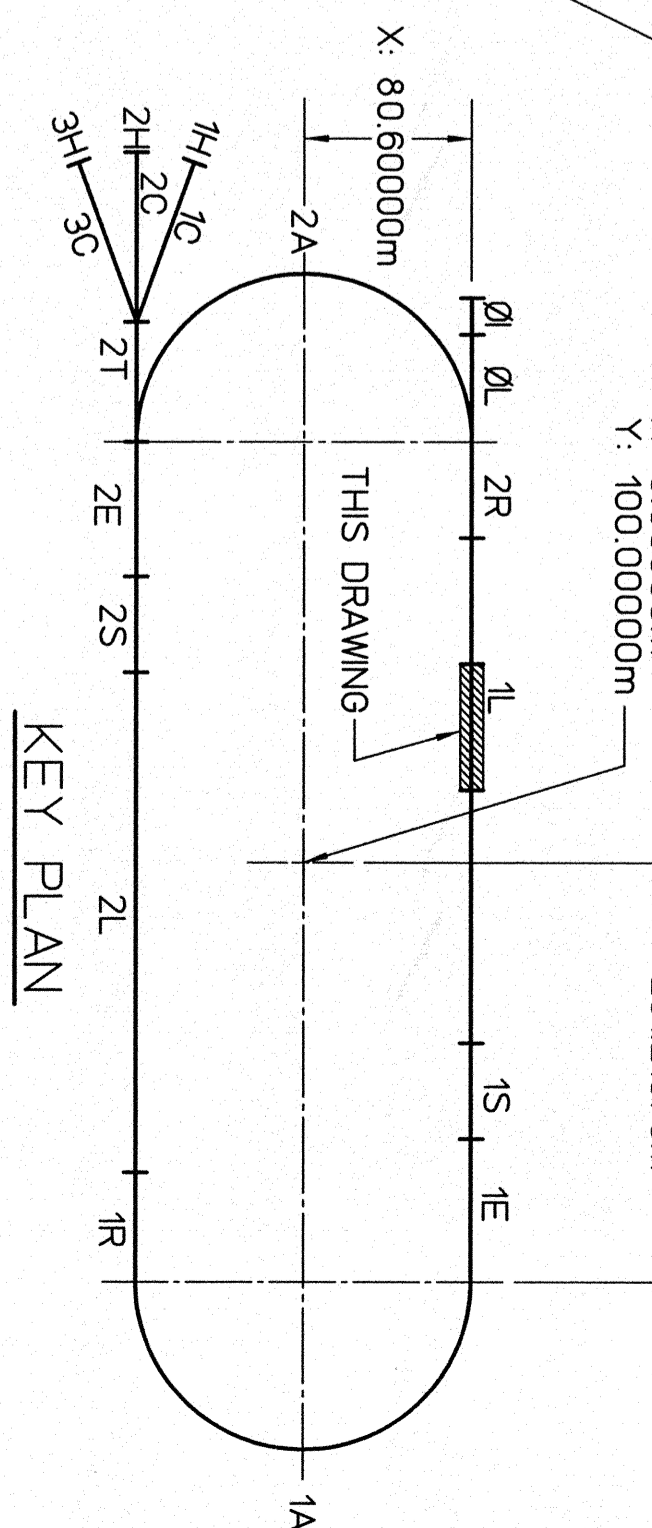


DIMENSION UNITS:

XX XX m METERS
XXX XXX INCHES
XX.XX FEET + DECIMAL INCHES
XX.XX FEET + INCHES

AREA	SIGNATURE	DATE	APPROVED
VAC	J.P./J. PERBLE	03/07/09	
INST	K. CARREK	02/27/08	
MAG	M. WISEMAN	03/05/08	
OPS	S. SURRING	02/28/08	
ALIGN	C. CURTIS	02/28/08	

CHD ID NO.	DATE	APPROVED
284050005rev0	07/07/05	
284050005rev1	02/27/06	
284050005rev2	03/06/08	



GENERAL NOTES:
1. ****XX**DENOTES ELEMENTS IN BEAM WITHOUT POWERSCREENS.