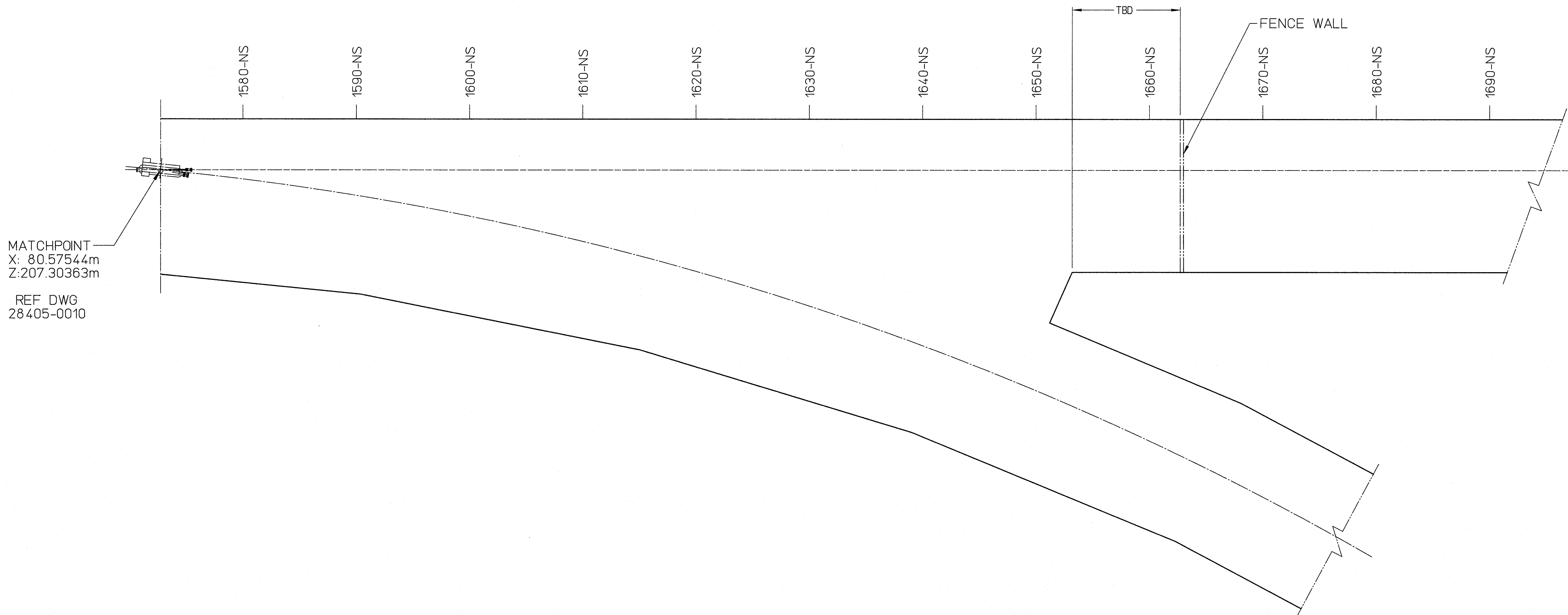
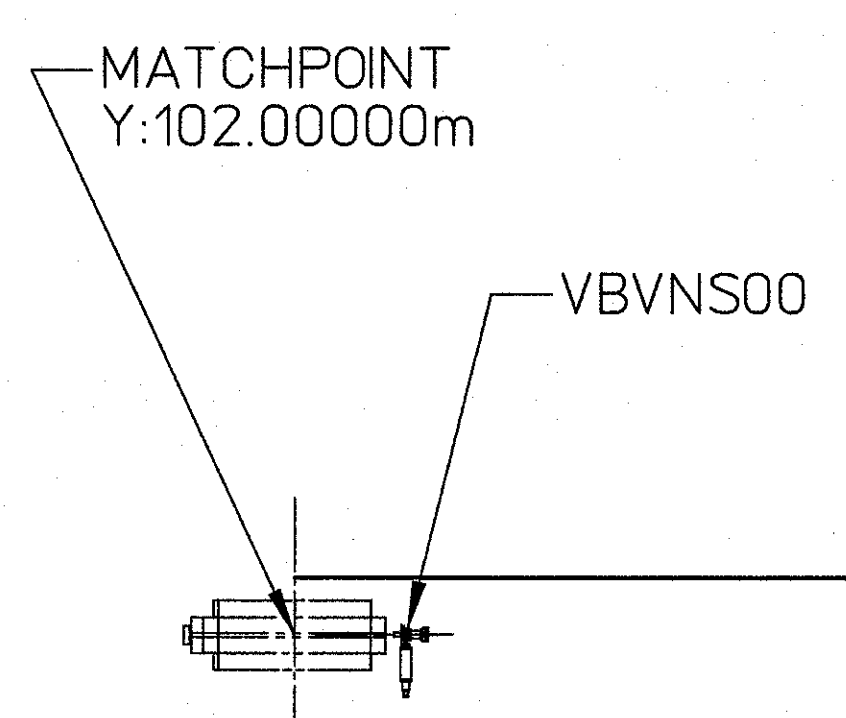


REVISIONS				
ZONE	REV	DESCRIPTION	DATE	APPROVED
E	INCORP	ECO 1034.	14NOV05 07DEC05	T. Whittich S. Suhring
F	INCORPORATE	ECO NO. 1041	28OCT08 28OCT08	N. WILSON S. SUHRING
G	INCORPORATE	ECO NO. 1045	04OCT10 09NOV10	S. Suhring N. Wilson
H	INCORPORATE	ECO NO. 1047	9-19-11 27-24-11	S. Suhring N. Wilson

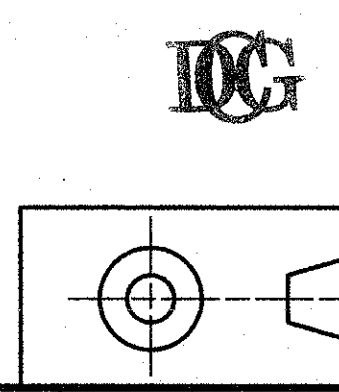
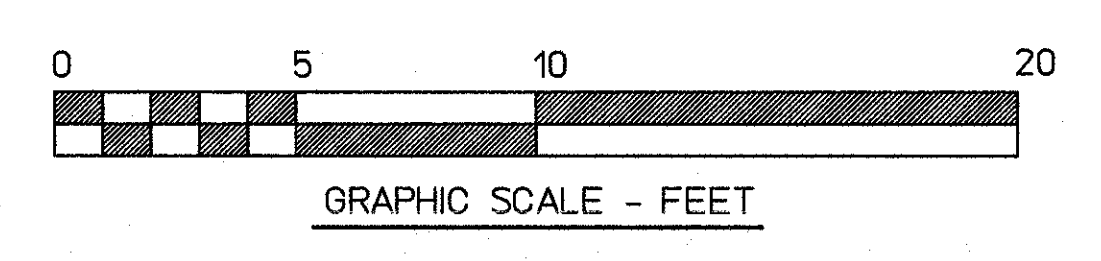
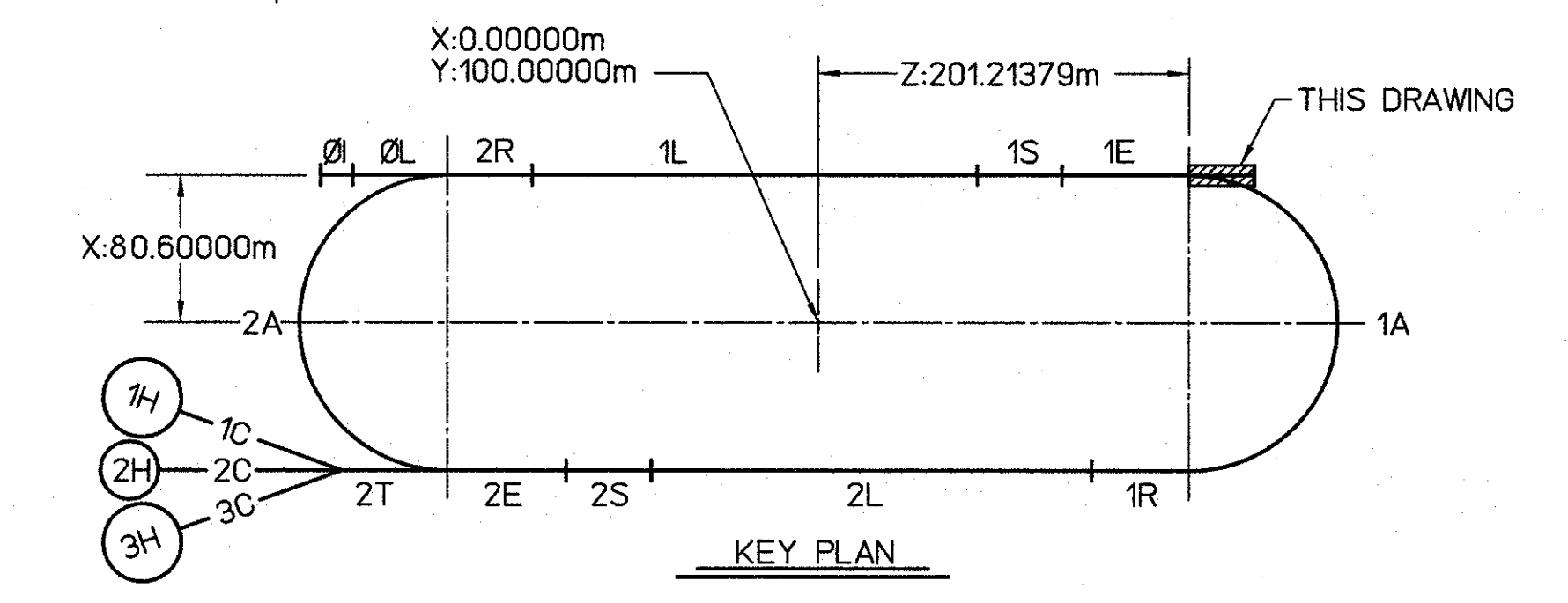


MATCHPOINT  
X: 80.57544m  
Z: 207.30363m  
  
REF DWG  
28405-0010



- LEGEND**  
(Indicating Lowest Energy Line Shown)
- 01 - Injector
  - 0L - Pre-accelerator
  - 2R - Second Recombiner
  - 1L - First Linac
  - 1S - First Spreader
  - 1E - First Extractor
  - 1A - First Arc
  - 1R - First Recombiner
  - 2L - Second Linac
  - 2S - Second Spreader
  - 2E - Second Extractor
  - 2A - Second Arc
  - 2C - Transport Channel

**DIMENSION UNITS:**  
XX.XX m = METERS  
(XX.XX) = INCHES  
XXX.XX = DECIMAL FEET  
XX - XX" = FEET - INCHES



AREA	SIGNATURE	DATE	DM & TOL PER ANSI Y14.5 UNLESS OTHERWISE SPECIFIED	UNLESS OTHERWISE NOTED	APPROVALS	DATE
VAC	S. WILLIAMS	03/12/96	TOLERANCES ARE IN INCHES	FRACTING DECIMAL	CADD ID. NO. 28405001revH  APPROVED JACKI R. SMITH 07/11/95 C. GRAVES 03/12/96 W. OREN 03/18/96 SEE LEFT	SIZE/DWG. NO. E 28405-E-0011 SHEET 1 OF 1
INSTR	K. CAPEK	03/13/96	XXX.XX & N/A			
MAG	M. WISEMAN	03/18/96	XXX.XX & N/A			
OPS	S. SUHRING	03/13/96	XXX.XX & N/A			
ALIGN	C. CURTIS	03/11/96	XXX.XX & N/A			

**CEBAF**  
The Continuous Electron Beam Accelerator Facility  
NEWPORT NEWS, VIRGINIA  
UNITED STATES DEPARTMENT OF ENERGY

**BEAM TRANSPORT  
MACHINE CONFIGURATION  
HIGH POWER DUMP**

SIZE/DWG. NO.  
E 28405-E-0011  
SHEET 1 OF 1