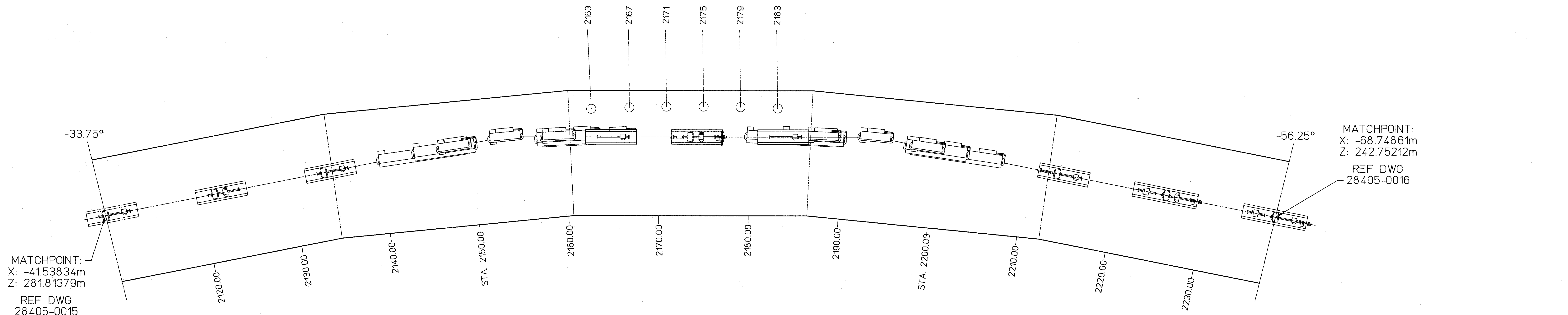


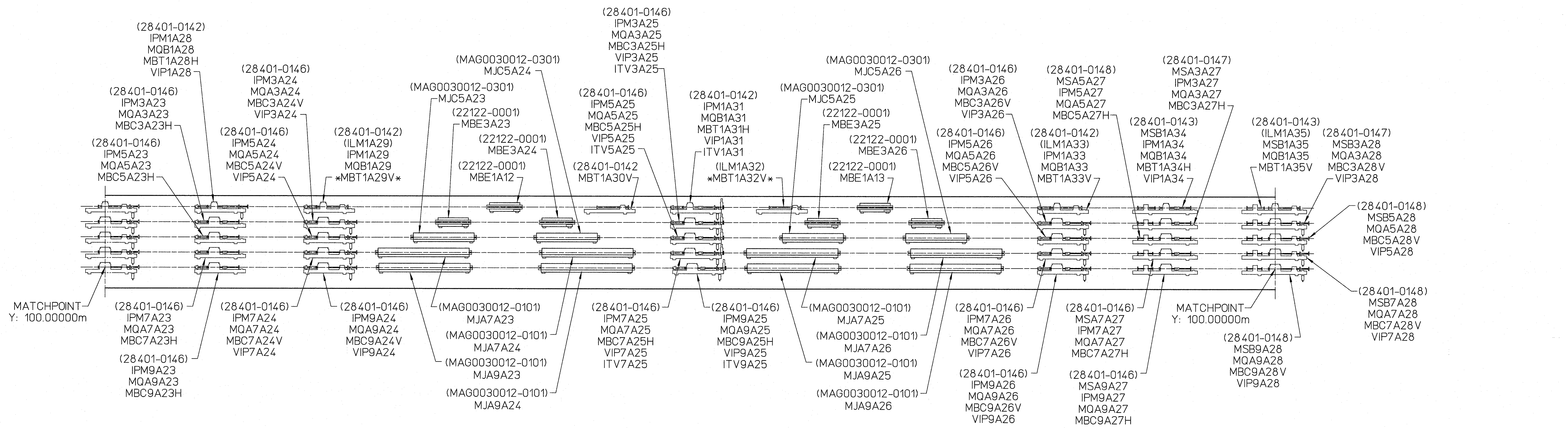
REVISIONS				
ZONE	REV.	DESCRIPTION	DATE	APPROVED
D	INCORP. ECO#1021	JRS JUL02	09AUG02 09AUG02	W.OREN S.SUHRING
E	INCORP. ECO#1031	JRS NOV03	18DEC03 19DEC03	W.OREN S.SUHRING
F	INCORP. ECO #1036	JRS SEP06	09JAN07 10JAN07	T.WHITLASH S.SUHRING
G	INCORPORATE ECO NO. 1047	RDW AUG 11	9-19-11 9/24	W.OREN S.SUHRING

SERVICE BLDG E5



MATCHPOINT:
X: -4153834m
Z: 281.81379m
REF DWG
28405-0015

MATCHPOINT:
X: -68.74861m
Z: 242.75212m
REF DWG
28405-0016

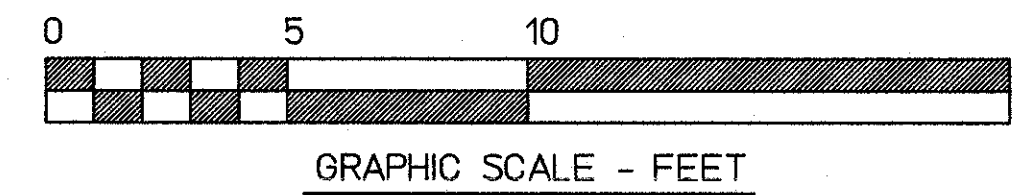


MATCHPOINT:
Y: 100.00000m

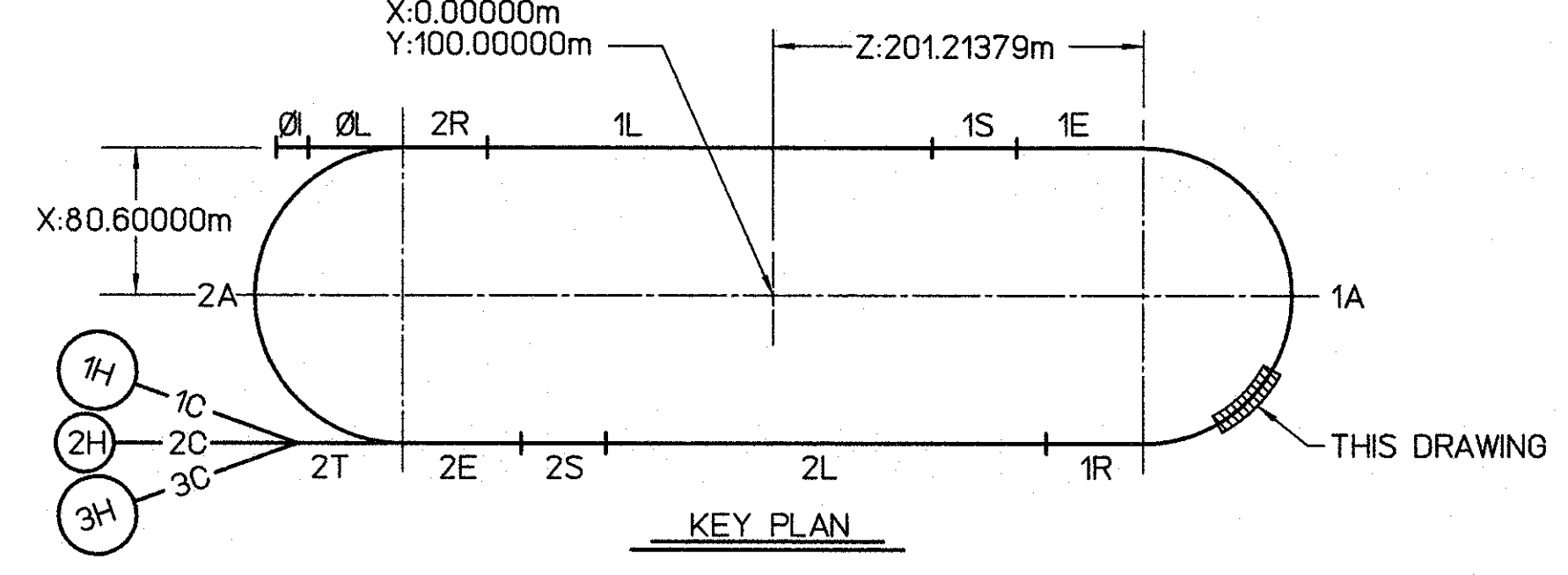
MATCHPOINT:
Y: 100.00000m

- LEGEND**
(Indicating Lowest Energy Line Shown)
- 0I - Injector
 - 0L - Pre-accelerator
 - 2R - Second Recombiner
 - 1L - First Linac
 - 1S - First Spreader
 - 1E - First Arc
 - 1A - First Extractor
 - 1R - First Recombiner
 - 2L - Second Linac
 - 2S - Second Spreader
 - 2E - Second Arc
 - 2A - Second Arc
 - 2C - Transport Channel

- GENERAL NOTES:**
- ARC TYPE GIRDER ELEMENT ASSY & DWG NO. SEE CEBAF SPEC 28401-S-0002.
 - *XXXXXX* - DENOTES ELEMENTS IN THE BEAM LINE WITHOUT POWER.



DIMENSION UNITS:
 XXXX m = METERS
 (XXX.X) = INCHES
 XXX.XX = DECIMAL FEET
 XX - XX* = FEET - INCHES



AREA	SIGNATURE	DATE	DM & TO, PER ANS Y14.6 UNLESS OTHERWISE SPECIFIED DIMENSIONS ARE IN INCHES TOLERANCES ARE FRACTIONS DECIMAL ANGLES N/A N/A N/A	CADD ID. NO.
VAC	S. WILLIAMS	03/12/96		284050015revG
INSTR	K. CAPEK	03/13/96		
MAG	M. WISEMAN	03/18/96		
OPS	S. SUHRING	03/13/96		
ALIGN	C. CURTIS	03/11/96		

APPROVALS	DATE
DRAWN JACKI R SMITH	01/24/96
CHECKED C. GRAVES	03/12/96
APPROVED W. OREN	03/18/96
APPROVED SEE LEFT	

CEBAF The Continuous Electron Beam Accelerator Facility UNITED STATES DEPARTMENT OF ENERGY	
BEAM TRANSPORT MACHINE CONFIGURATION 1ST ARC-2ND HALF 2ND SECTION	
SHEET NO. 28405-E-0015 USED IN ASSY NO. 284010-E-0001	SHEET 1 OF 1