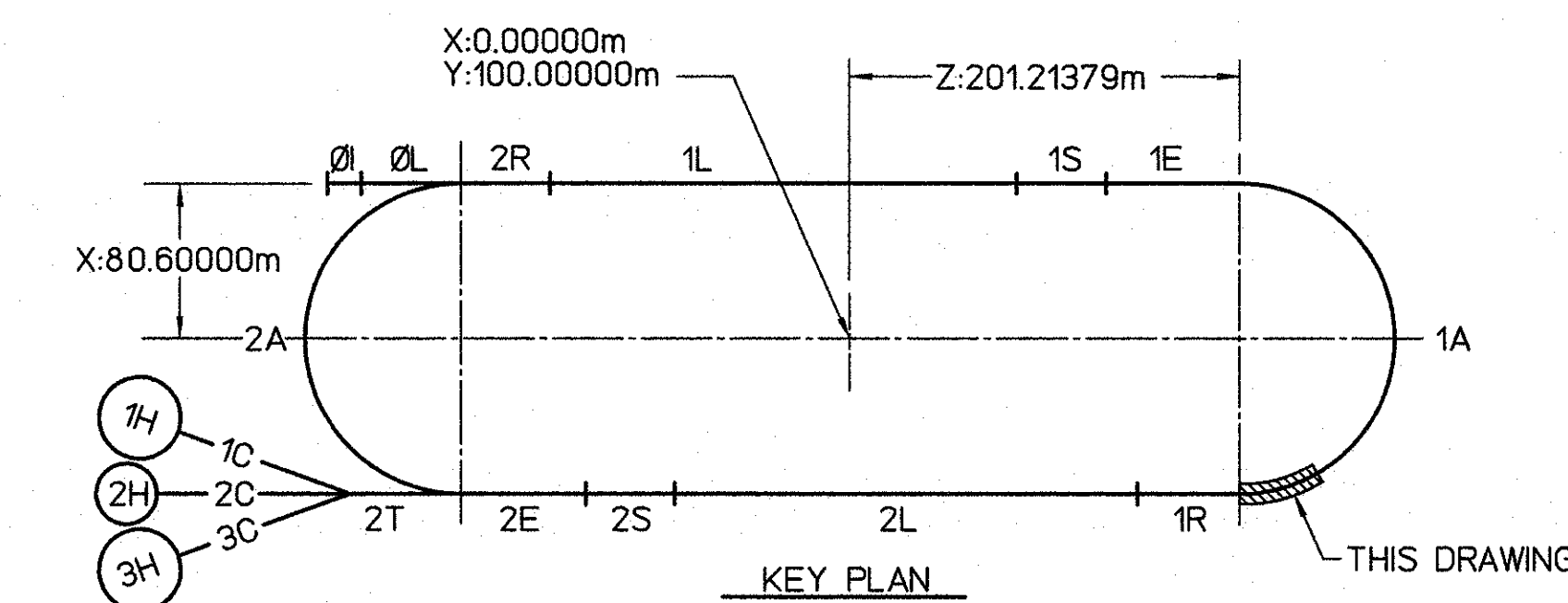
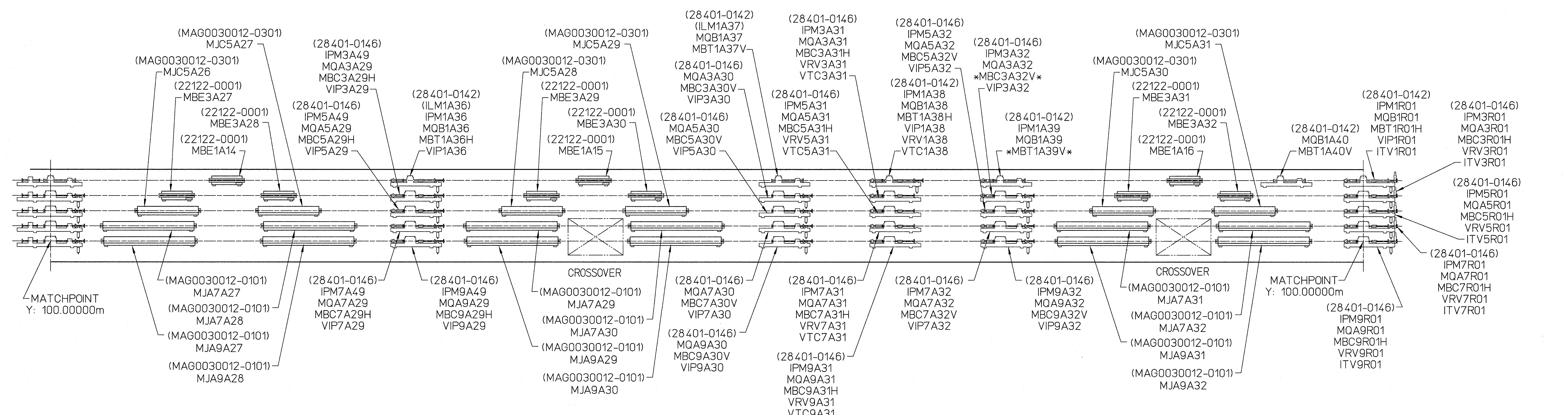
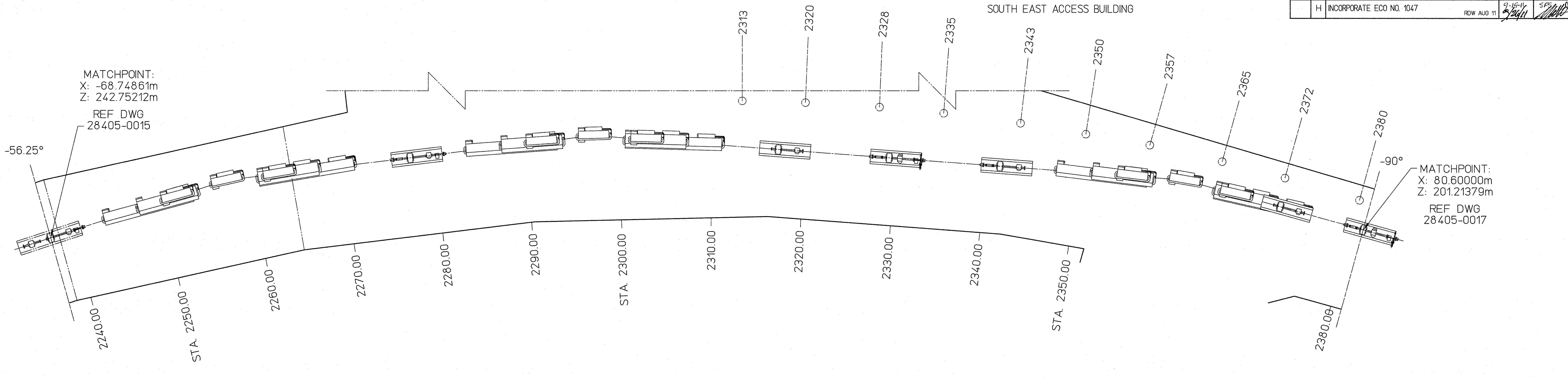


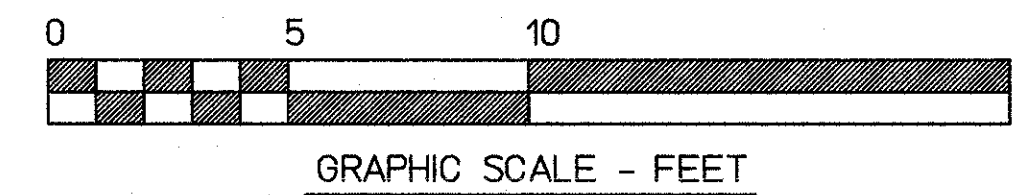
REVISIONS				
ZONE	REV	DESCRIPTION	DATE	APPROVED
E	INCORP. ECO#1021.	JRS JUL02	09AUG02	W OREN
F	INCORP. ECO#1031.	JRS NOV03	18DEC03	W OREN
G	INCORP. ECO #1036.	JRS SEP06	09JAN07	T WHITLASH
H	INCORPORATE ECO NO. 1047	RDW AUG 11	09AUG11	S SUHRING



DIMENSION UNITS:
 XX.XX m = METERS
 (XX.XX) = INCHES
 XXX.XX = DECIMAL FEET
 XX - XX* = FEET - INCHES

- LEGEND**
 (Indicating Lowest Energy Line Shown)
- 01 - Injector
 - 0L - Pre-accelerator
 - 2R - Second Recombiner
 - 1L - First Linac
 - 1S - First Spreader
 - 1E - First Extractor
 - 1R - First Recombiner
 - 2L - Second Linac
 - 2S - Second Spreader
 - 2E - Second Extractor
 - 2A - Second Arc
 - 2C - Transport Channel

- GENERAL NOTES:**
- ARC TYPE GIRDER ELEMENT ASSY & DWG NO. SEE CEBAF SPEC 28401-S-0002.
 - *XXXXXX* - DENOTES ELEMENTS IN THE BEAM LINE WITHOUT POWER.



AREA	SIGNATURE	DATE	FINISH	UNLESS OTHERWISE NOTED
VAC	S. WILLIAMS	03/12/96	N/A	
INSTR	K. CAPEK	03/13/96	N/A	
MAG	M. WISEMAN	03/18/96	N/A	
OPS	S. SUHRING	03/13/96	N/A	
ALIGN	C. CURTIS	03/11/96	N/A	

APPROVALS	DATE
C. GRAVES	03/12/96
W. OREN	03/18/96
SEE LEFT	

CADD ID NO. 284050016revH

BEAM TRANSPORT MACHINE CONFIGURATION 1ST ARC- 2ND HALF 3RD SECTION

28405-E-0016

1 OF 1