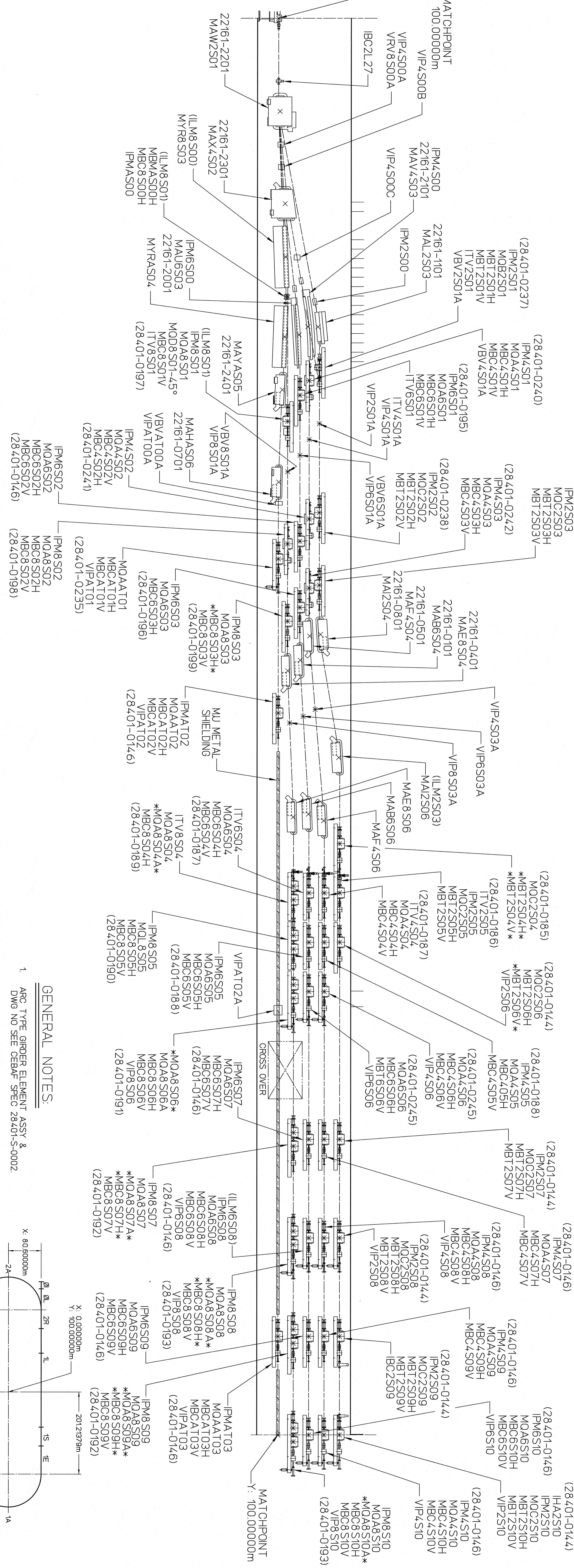
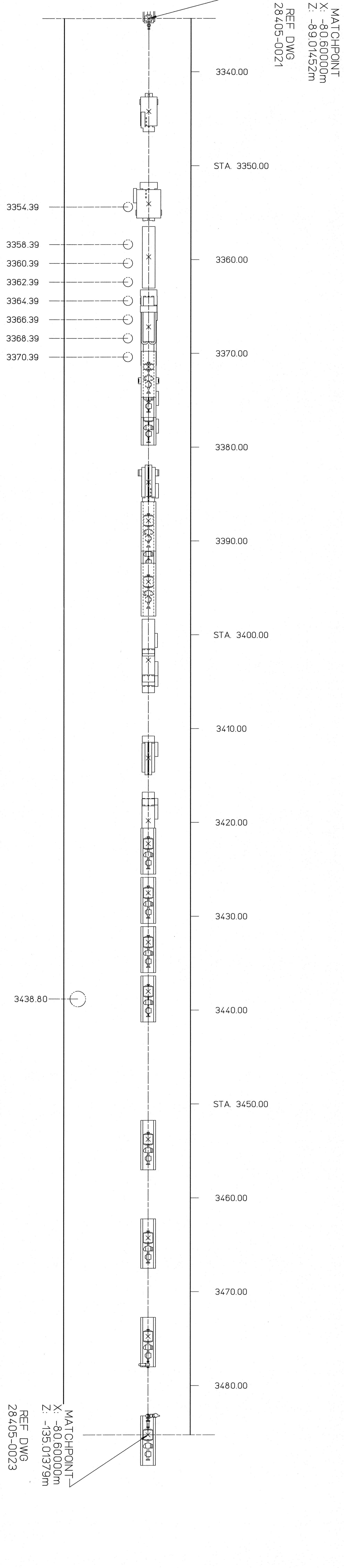
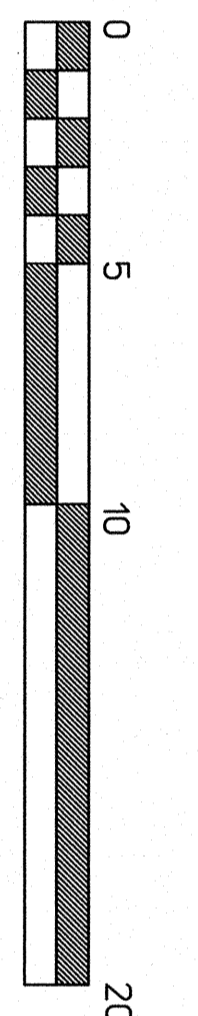


ZONE/REV	DESCRIPTION	DATE	APPROVED
J	INCORP EDO #1021	09AUG02	W OPEN
K	INCORP EDO #1031	18DEC03	W OPEN
L	INCORP EDO #1034	05OCT03	W OPEN
M	INCORP EDO #1035	18NOV05	W OPEN
N	INCORPORATE EDO NO. 1043	07APR06	W OPEN



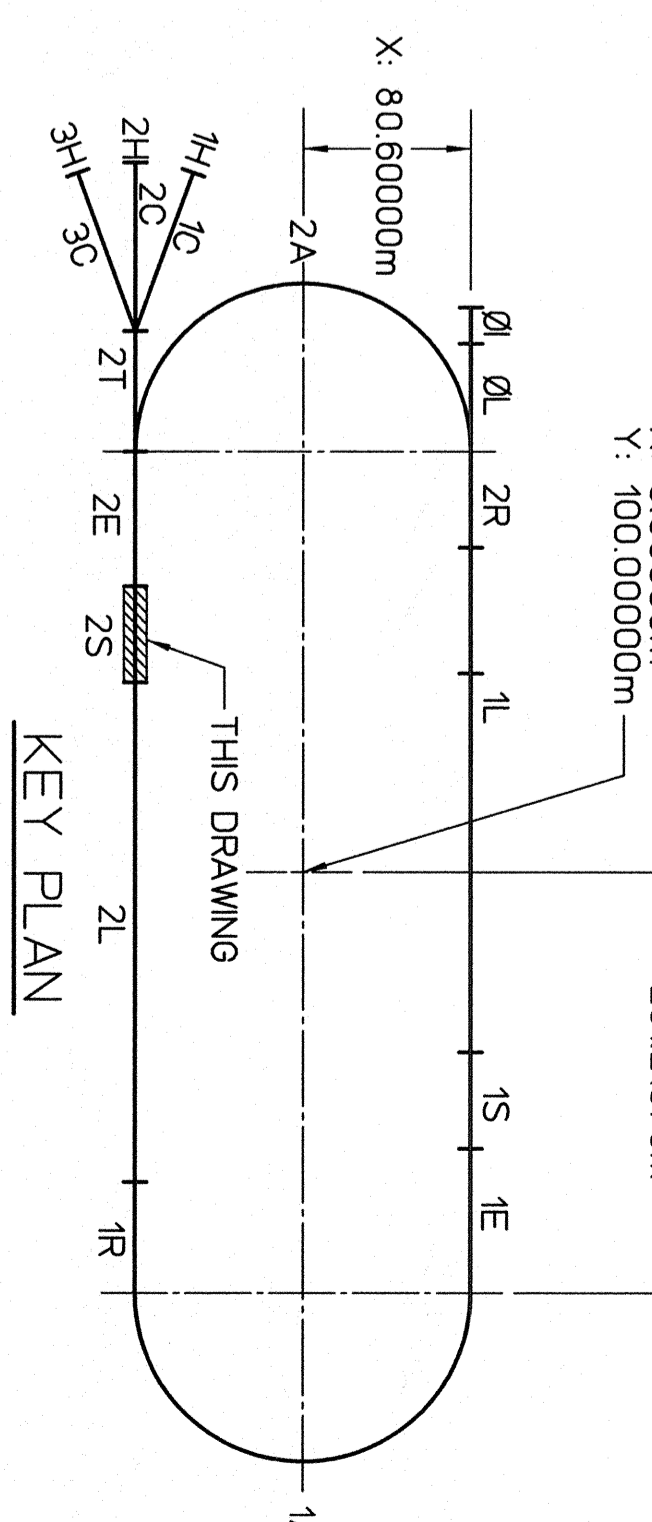
LEGEND  
 (Indicating Lowest Energy Line Shown)

- 01 - Injector
- 02 - Pre-accelerator
- 03 - Second Accelerator
- 04 - First Accelerator
- 05 - First Extractor
- 06 - First Recombiner
- 07 - Second Linac
- 08 - Second Accelerator
- 09 - Transport Channel



DIMENSION UNITS:  
 XX.XX" = METERS  
 XXX.XX' = DECIMAL FEET  
 XX' - XX" = FEET - INCHES

- GENERAL NOTES:
- ARC TYPE GIRDER ELEMENT ASSY & DWG NO SEE CEBAF SPEC 28401-S-0002.
  - \*\*\*\*\*DENOTES ELEMENTS IN BEAM WITHOUT POWER/SOURCES.
  - ZZZZZZ - DENOTES METAL SHIELDING AT .008" THICK.



AREA	SIGNATURE	DATE	DESCRIPTION
VAC	S. Williams	05/23/95	DESIGNED
INST	K. Cooper	05/23/95	DRAWN
MAG	M. Wiseman	05/23/95	CHECKED
OPS	S. Shinn	05/23/95	APPROVED
ALIGN	C. Curtis	05/23/95	APPROVED

28405-E-0022  
 SHEET 1 OF 1