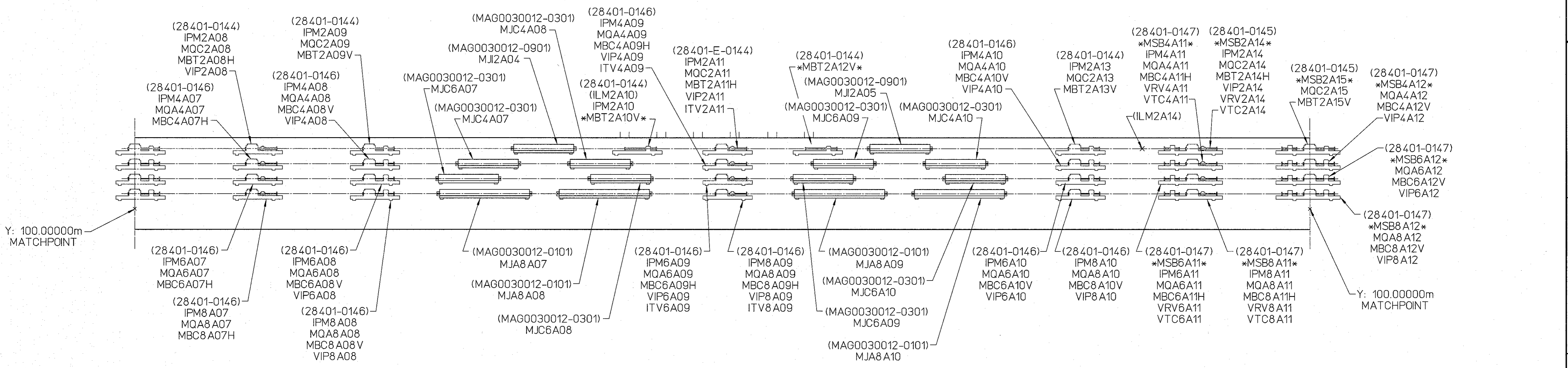
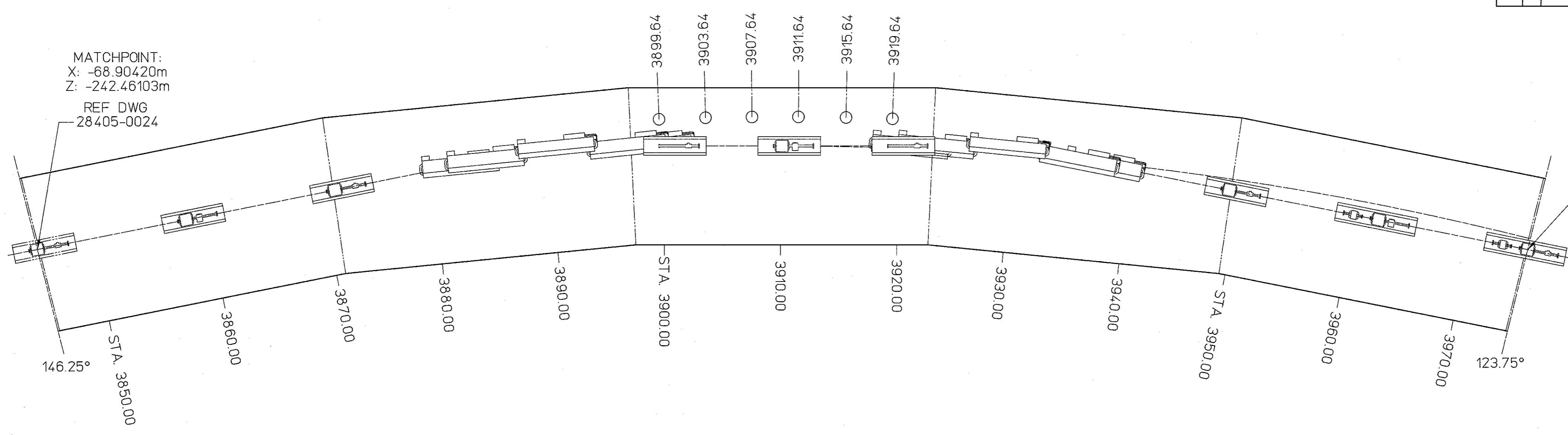


REVISIONS				
ZONE	REV.	DESCRIPTION	DATE	APPROVED
	D	INCRP. ECO #1031.	18DEC03 19DEC03	W. OREN S. SUHRING
	E	INCRP. ECO #1034.	14NOV06 07DEC06	T. Whitch S. SUHRING
	F	INCRP. ECO #1036.	09JAN07 10JAN07	T. Whitch S. SUHRING
	G	INCORPORATE ECO NO. 1047	RDW AUG 11 9/29/11	W. OREN S. SUHRING

MATCHPOINT:  
X: -68.90420m  
Z: -242.46103m  
REF DWG  
28405-0024

MATCHPOINT:  
X: -41.24724m  
Z: -270.11798m  
REF DWG  
28405-0026



Y: 100.00000m  
MATCHPOINT

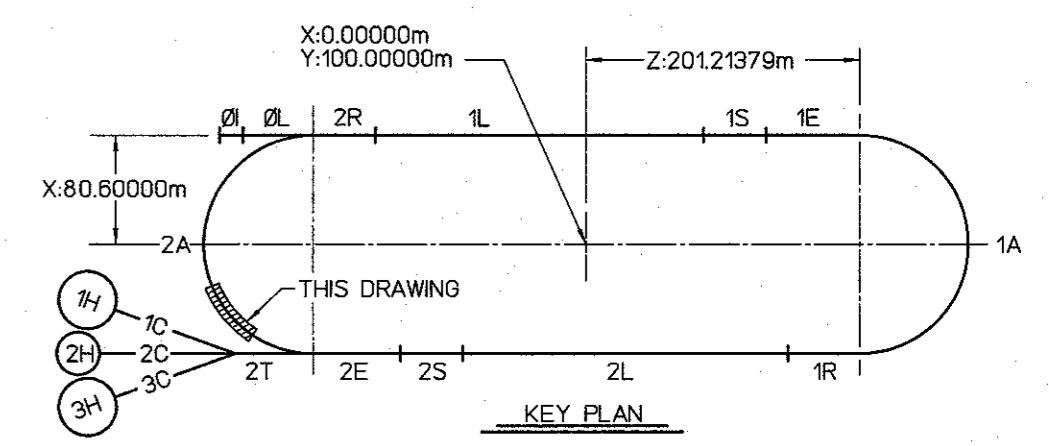
Y: 100.00000m  
MATCHPOINT

**GENERAL NOTES:**

- ARC TYPE GIRDER ELEMENTS & ASSY DWG NO. SEE CEBAF SPECIFICATION 29401-S-0002
- \*XXXXXX\* - DENOTES ELEMENTS IN THE BEAM LINE WITHOUT POWER

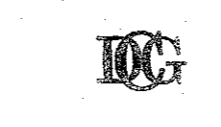
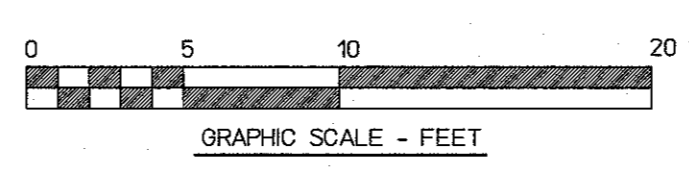
**DIMENSION UNITS:**

XXXX m = METERS  
XXXXX = INCHES  
XXXXX.X = DECIMAL FEET  
XX - XX' = FEET - INCHES



**LEGEND**

- (Indicating Lowest Energy Line Shown)
- 0I - Injector
  - 0L - Pre-accelerator
  - 2R - Second Recombiner
  - 1L - First Linac
  - 1S - First Spreader
  - 1E - First Extractor
  - 1A - First Arc
  - 1R - First Recombiner
  - 2L - Second Linac
  - 2S - Second Spreader
  - 2E - Second Extractor
  - 2A - Second Arc
  - 2C - Transport Channel



AREA	SIGNATURE	DATE	DM & TO PER ANS Y14.8 UNLESS OTHERWISE SPECIFIED DIMENSIONS ARE IN INCHES FRACTIONS DECIMAL ANGLES
VAC	Scott Williams	06/23/06	N/A
INSTR	Karel Capek	06/28/06	N/A
MAG	Mark Wiseman	06/25/06	N/A
OPS	Steve Suhring	06/29/06	N/A
ALIGN	Chris Curtis	06/22/06	N/A

APPROVALS	DATE
DRAWN CHRIS GRAVES	2-05-06
CHECKED Jack Smith	05/22/06
APPROVED W. Oren	06/29/06
APPROVED SEE LEFT	

CADD ID. NO. 284050025revG	<b>CEBAF</b> The Continuous Electron Beam Accelerator Facility NEWPORT NEWS, VIRGINIA UNITED STATES DEPARTMENT OF ENERGY
<b>BEAM TRANSPORT MACHINE CONFIGURATION 2ND ARC - 1ST HALF 2ND SECTION</b>	
SIZE/DWG. NO. E 28405-E-0025	REV. G
SCALE 1/4" = 1'	USED IN ASSY NO. 28401-E-0001 SHEET 1 OF 1