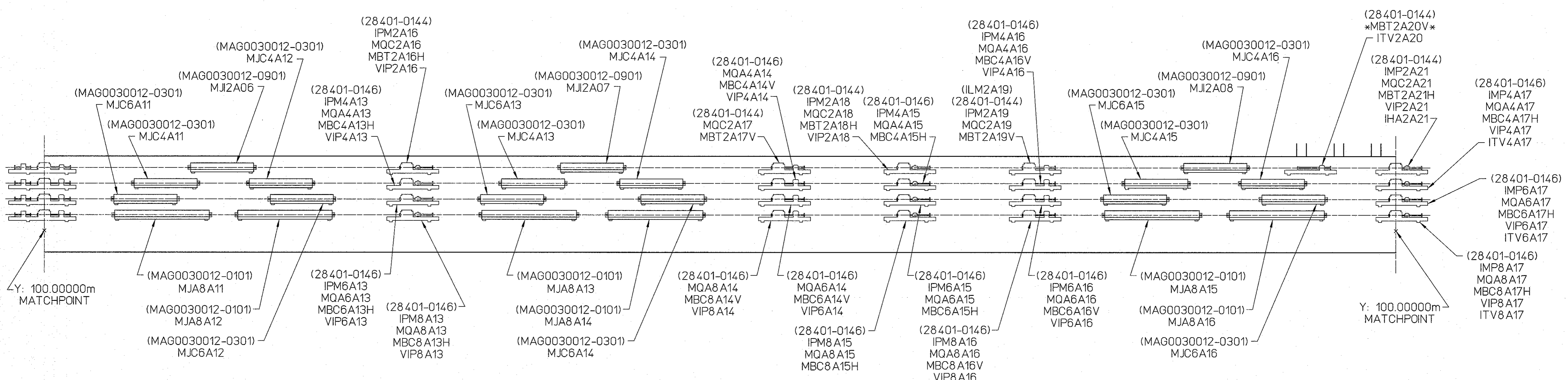
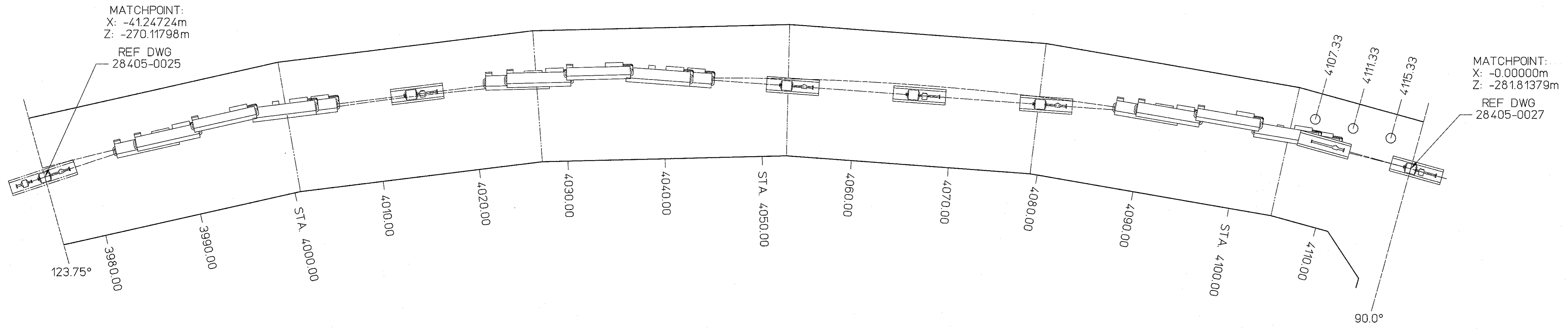


REVISIONS				
ZONE	REV.	DESCRIPTION	DATE	APPROVED
D	INCORP. ECO #1030.	JRS MAR03	27MAR03	W.GREN
E	INCORP. ECO #1031.	JRS NOV03	18DEC03	W.GREN
F	INCORP. ECO #1036.	JRS SEP06	09JAN07	T.WHITLASH
G	INCORPORATE ECO NO. 1047	RDW AUG 11	09AUG11	S.SUHRING



Y: 100.00000m  
MATCHPOINT

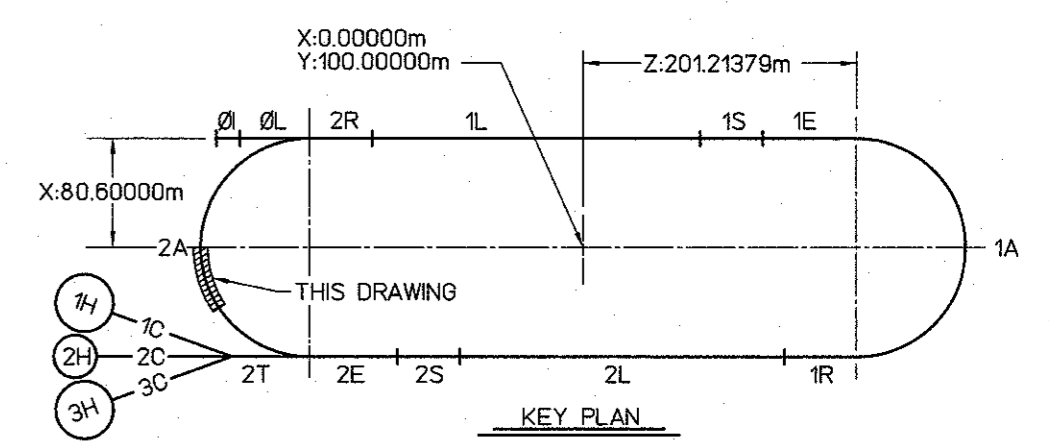
Y: 100.00000m  
MATCHPOINT

**GENERAL NOTES:**

- ARC TYPE GIRDER ELEMENTS & ASSY DWG NO. SEE CEBAF SPECIFICATION 29401-S-0002
- \*XXXXXXX\* - DENOTES ELEMENTS IN THE BEAM LINE WITHOUT POWER.

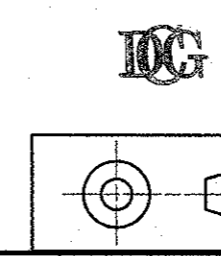
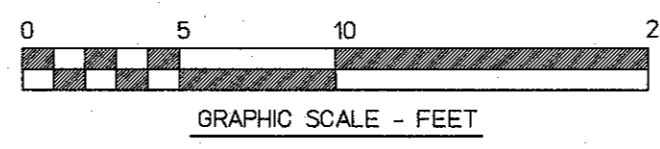
**DIMENSION UNITS:**

XX.XX m = METERS  
 (XX.XX) = INCHES  
 XXX.XX = DECIMAL FEET  
 XX - XX' = FEET - INCHES



**LEGEND**  
(Indicating Lowest Energy Line Shown)

0I	- Injector
0L	- Pre-accelerator
2R	- Second Recombiner
1L	- First Linac
1S	- First Spreader
1E	- First Extractor
1A	- First Arc
1R	- First Recombiner
2L	- Second Linac
2S	- Second Spreader
2E	- Second Extractor
2A	- Second Arc
2C	- Transport Channel



AREA	SIGNATURE	DATE	DM & TO PER ANS IYLE UNLESS OTHERWISE SPECIFIED TOLERANCES ARE IN INCHES FRACTIONS ARE NORMAL ANGLES * N/A * N/A * N/A	CADD ID. NO.	DATE
VAC	S. Williams	05/23/96		284050026revG	
INSTR	K. Capek	05/28/96			
MAG	M. Wiseman	05/23/96			
OPS	S. Suhring	05/29/96			
ALIGN	C. Curtis	05/22/96			

APPROVALS	DATE
DRAWN JACKI R. SMITH	01/30/96
CHECKED Chris Graves	05/22/96
APPROVED W. Oren	05/28/96
APPROVED SEE LEFT	

<b>CEBAF</b> The Continuous Electron Beam Accelerator Facility NEWPORT NEWS, VIRGINIA UNITED STATES DEPARTMENT OF ENERGY	
<b>BEAM TRANSPORT MACHINE CONFIGURATION 2ND ARC-1ST HALF 3RD SECTION</b>	
SIZE/DWG. NO. <b>28405-E-0026</b>	REV. NO. <b>G</b>
USED ON ASSY NO. 28401-E-0001	SHEET 1 OF 1