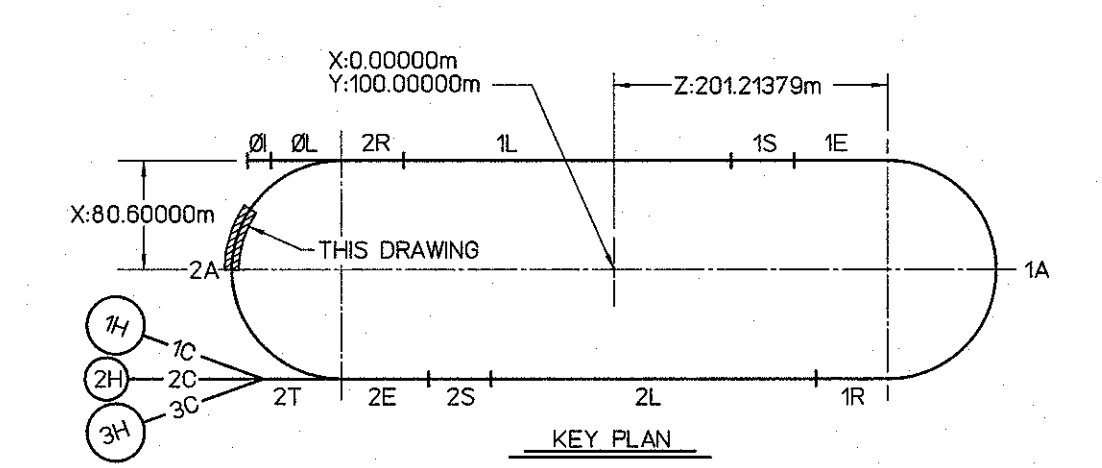
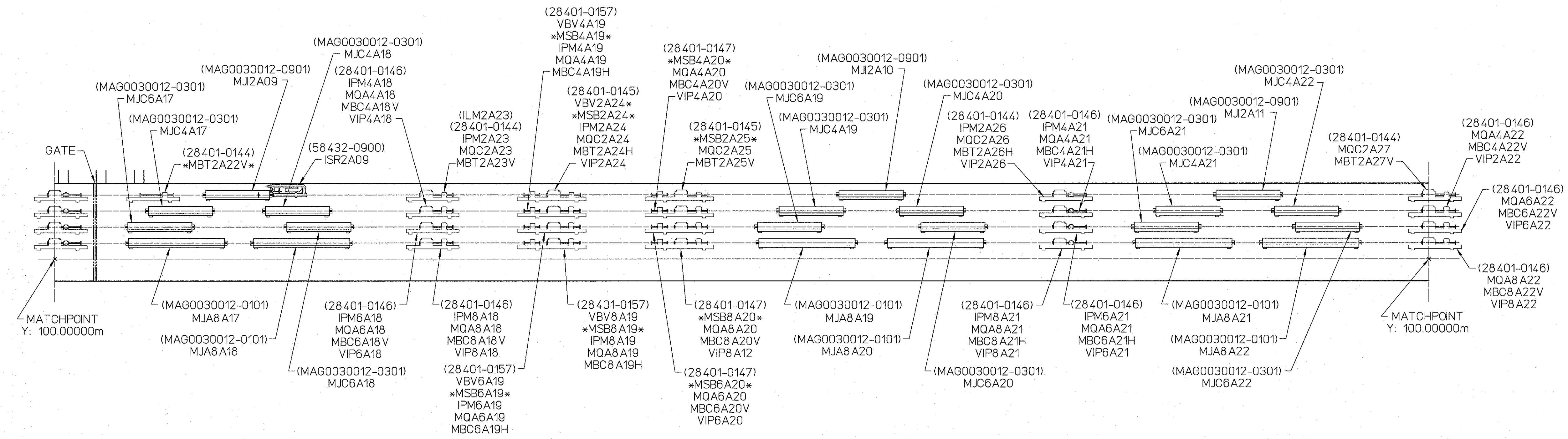
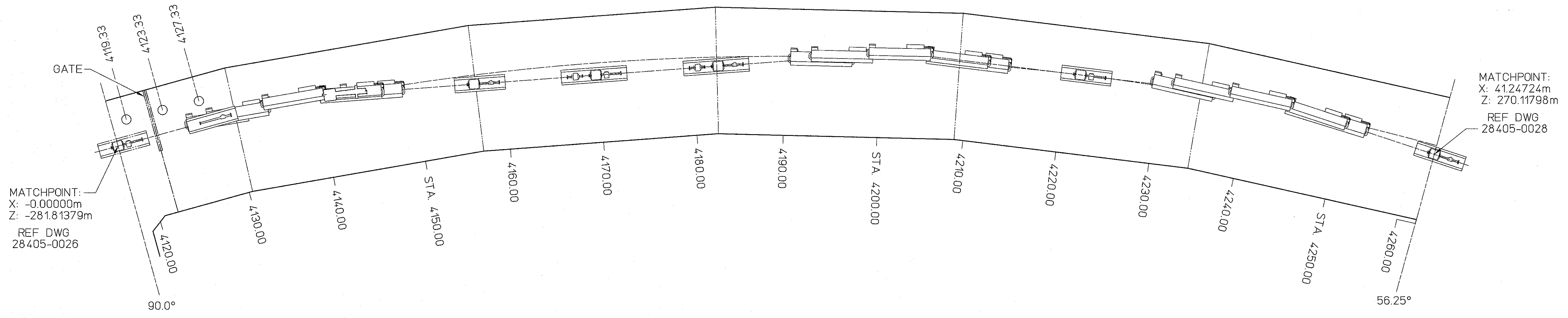


REVISIONS				
ZONE	REV.	DESCRIPTION	DATE	APPROVED
	D	INCRP. ECO #1031.	18DEC03 19DEC03 JRS NOV03	W. OREN S. SUHRING
	E	INCRP. ECO #1034.	14NOV05 07DEC06 JRS FEB05	T. Whilatch S. SUHRING
	F	INCRP. ECO #1036.	09JAN07 10JAN07 JRS SEP06	T. Whilatch S. SUHRING
	G	INCORPORATE ECO NO. 1047	3-18-11 RDW AUG 11	SJS [Signature]



GENERAL NOTES:

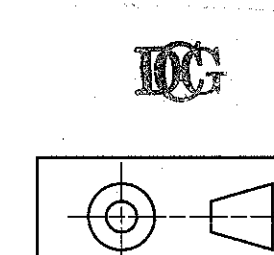
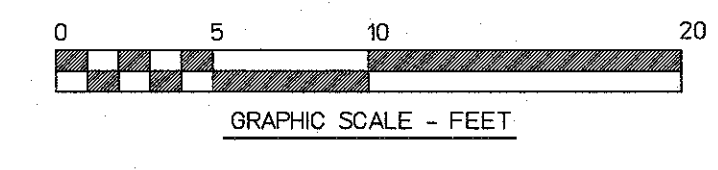
- ARC TYPE GIRDER ELEMENTS & ASSY DWG NO. SEE CEBAF SPECIFICATION 29401-S-0002
- *XXXXXXX* - DENOTES ELEMENTS IN THE BEAM LINE WITHOUT POWER

DIMENSION UNITS:

XX.XX m = METERS
 (XX.XX) = INCHES
 XXX.XX = DECIMAL FEET
 XX - XX' = FEET - INCHES

LEGEND
 (Indicating Lowest Energy Line Shown)

- 0I - Injector
- 0L - Pre-accelerator
- 2R - Second Recombiner
- 1L - First Linac
- 1S - First Spreader
- 1E - First Extractor
- 1A - First Arc
- 1R - First Recombiner
- 2L - Second Linac
- 2S - Second Spreader
- 2E - Second Extractor
- 2A - Second Arc
- 2C - Transport Channel



AREA	SIGNATURE	DATE	DM & TOL PER ANSI Y14.5 UNLESS OTHERWISE SPECIFIED DIMENSIONS ARE IN INCHES TOLERANCES ARE: FINISHING SIGNAL ANILES	CADD ID NO.
VAC	S. Williams	05/23/98	* N/A	284050027revG
INSTR	K. Capek	05/28/98	XXX N/A	
MAG	M. Wiseman	05/22/98	XXX N/A	
ALIG	C. Curtis	05/22/98	XXX N/A	
OPS	S. Suhring	05/28/98	XXX N/A	

APPROVALS	DATE
DRAWN JACKI R. SMITH	01/30/98
CHECKED C. Graves	05/22/98
APPROVED W. Oren	05/29/98
APPROVED SEE LEFT	

SIZE	DWG NO.	REV.
1/4" = 1'	28405-E-0027	G

CEBAF
 The Continuous Electron Beam Accelerator Facility
 NEWPORT NEWS, VIRGINIA
 UNITED STATES DEPARTMENT OF ENERGY

BEAM TRANSPORT MACHINE CONFIGURATION 2ND ARC-2ND HALF 1ST SECTION

28405-E-0027

1 OF 1