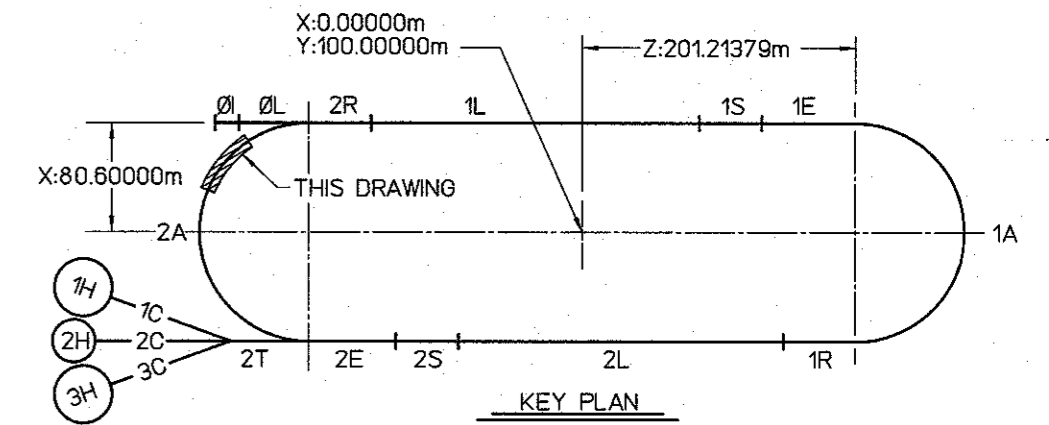
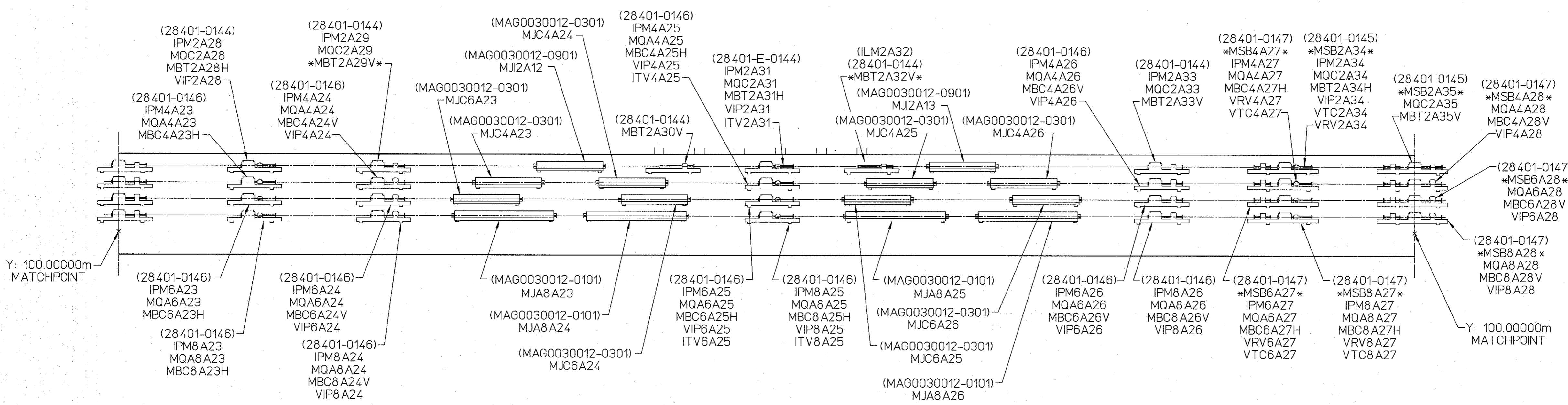
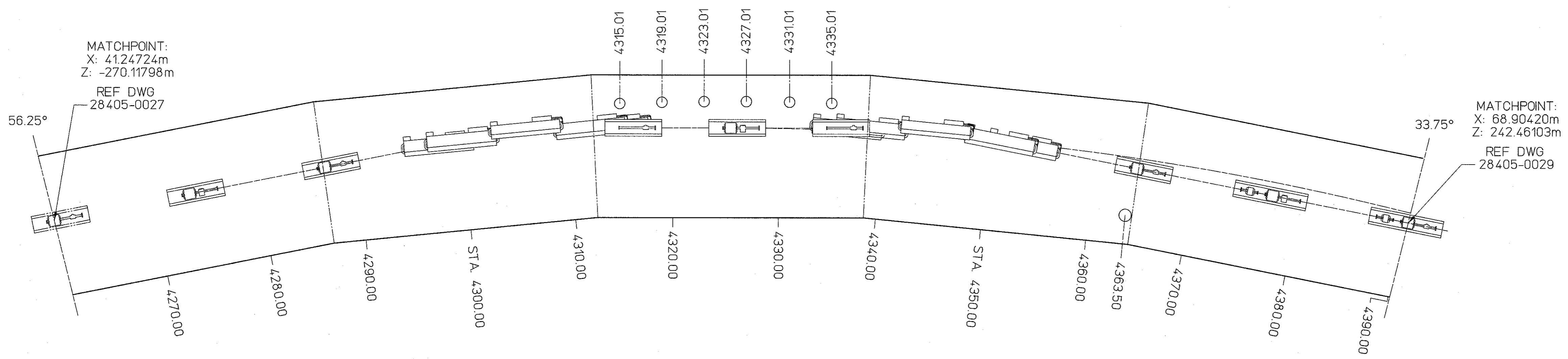


REVISIONS				
ZONE	REV.	DESCRIPTION	DATE	APPROVED
E	INCORP. ECO #1031.	JRS NOV03	18DEC03 19DEC03	W.OREN S.SUHRING
F	INCORP. ECO #1034.	JRS FEB05	14NOV05 07DEC05	T.WILLIAMS S.SUHRING
G	INCORP. ECO #1036.	JRS SEP06	09JAN07 10JAN07	T.WILLIAMS S.SUHRING
H	INCORPORATE ECO NO. 1047	RDW AUG 11	08AUG11	S.SUHRING



GENERAL NOTES:

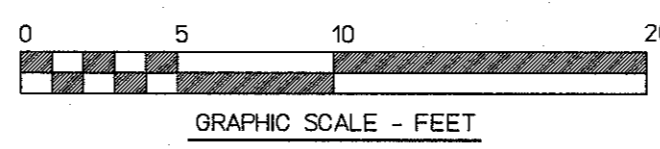
- ARC TYPE GIRDER ELEMENTS & ASSY DWG NO. SEE CEBAF SPECIFICATION 28401-S-0007
- *XXXXXXX* - DENOTES ELEMENTS IN THE BEAM LINE WITHOUT POWER.

DIMENSION UNITS:

XX.XX m = METERS
 (XX.XX) = INCHES
 XXX.XX = DECIMAL FEET
 XX'-XX" = FEET - INCHES

LEGEND

- (Indicating Lowest Energy Line Shown)
- 01 - Injector
 - 0L - Pre-accelerator
 - 2R - Second Recombiner
 - 1L - First Linac
 - 1S - First Spreader
 - 1E - First Extractor
 - 1A - First Arc
 - 1R - First Recombiner
 - 2L - Second Linac
 - 2S - Second Spreader
 - 2E - Second Extractor
 - 2A - Second Arc
 - 2C - Transport Channel



AREA	SIGNATURE	DATE	APPROVALS	DATE
VAC	S. Williams	05/23/96		
INSTR	K. Capek	05/28/96		
MAG	M. Wiseman	05/23/96		
OPS	S. Suhring	05/29/96		
ALIGN	C. Curtis	05/22/96		

CADD ID. NO.	284050028revH
DRAWN	JACKI R. SMITH 01/30/96
CHECKED	C. Graves 05/22/96
APPROVED	W. Oren 05/28/96
SEE LEFT	

CEBAF The Continuous Electron Beam Accelerator Facility NEWPORT NEWS, VIRGINIA UNITED STATES DEPARTMENT OF ENERGY	
BEAM TRANSPORT MACHINE CONFIGURATION 2ND ARC-2ND HALF 2ND SECTION	
SHEET NO.	28405-E-0028
REV	H
DATE	1/48
USED IN ASSY NO.	28401-E-0001
SHEET	1 OF 1