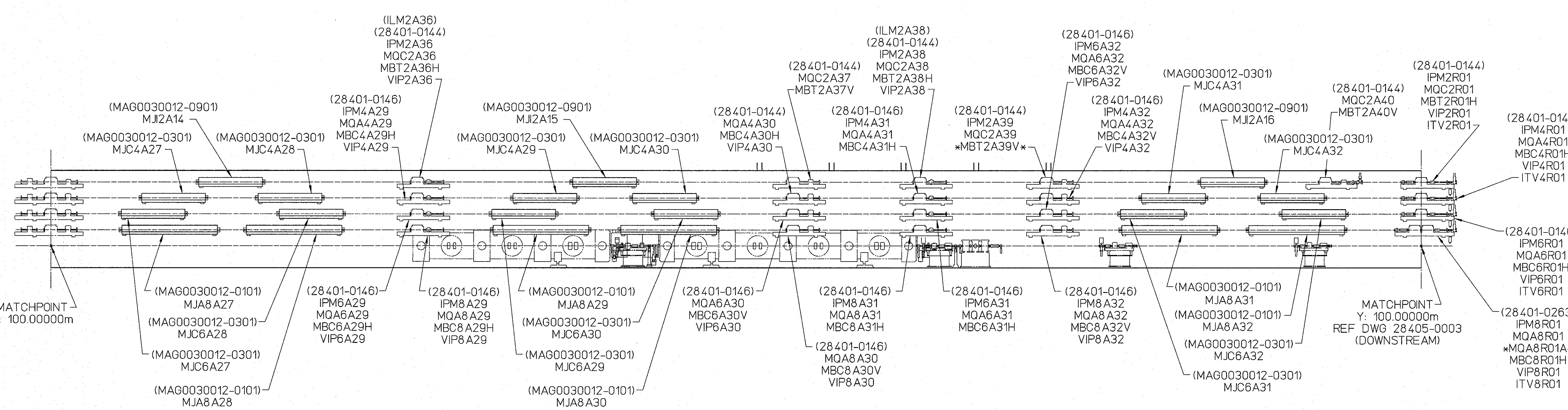
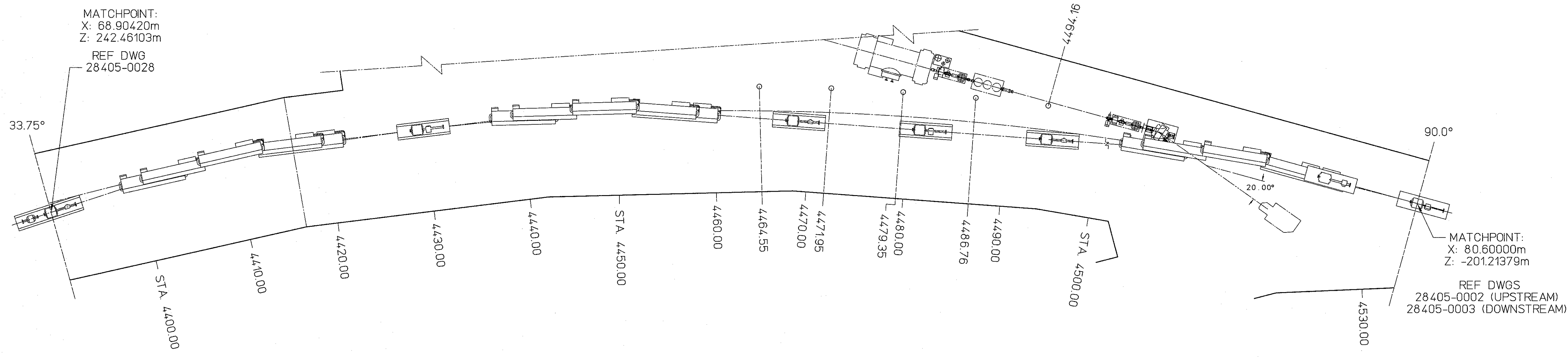


REVISIONS				
ZONE	REV.	DESCRIPTION	DATE	APPROVED
D	INCORP ECO#1021	RS JUL02	09AUG02	W.OREN
E	INCORP ECO #1031	RS NOV03	18DEC03	W.OREN
F	INCORP ECO #1036	RS SEP06	09JAN07	W.OREN
G	INCORPORATE ECO NO. 1047	RDW AUG 11	09JUN11	W.OREN



MATCHPOINT
Y: 100.00000m

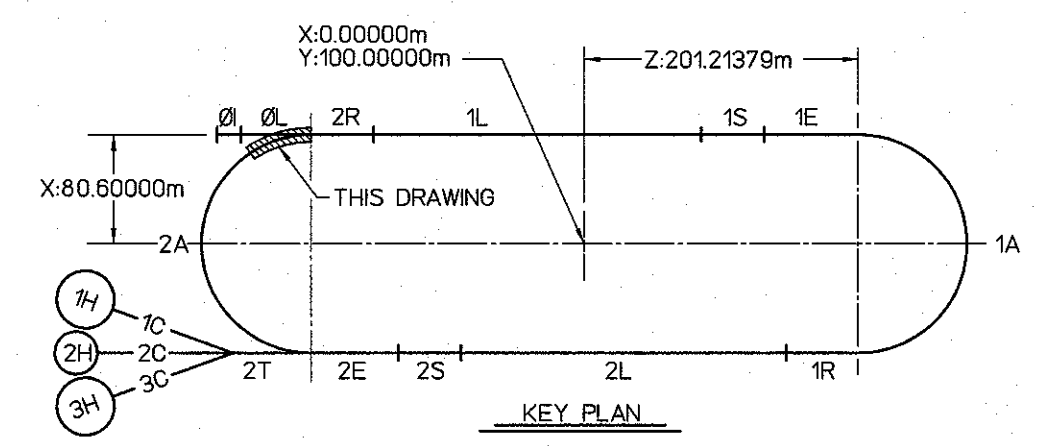
MATCHPOINT
Y: 100.00000m
REF DWG 28405-0003
(DOWNSTREAM)

GENERAL NOTES:

- ARC TYPE GIRDER ELEMENTS & ASSY DWG NO. SEE CEBAF SPECIFICATION 28401-S-007.
- *XXXXXX* - DENOTES ELEMENTS IN THE BEAM LINE WITHOUT POWER.

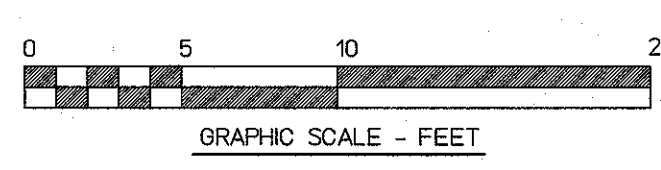
DIMENSION UNITS:

XXXX m = METERS
 (XX.XX) = INCHES
 XXX.XX = DECIMAL FEET
 XX - XX' = FEET - INCHES



LEGEND

- (Indicating Lowest Energy Line Shown)
- 0I - Injector
 - 0L - Pre-accelerator
 - 2R - Second Recombiner
 - 1L - First Linac
 - 1S - First Spreader
 - 1E - First Extractor
 - 1A - First Arc
 - 1R - First Recombiner
 - 2L - Second Linac
 - 2S - Second Spreader
 - 2E - Second Extractor
 - 2A - Second Arc
 - 2C - Transport Channel



AREA	SIGNATURE	DATE	APPROVALS	DATE
VAC	S. Williams	05/24/98	JACKI R. SMITH	01/30/98
INSTR	K. Capek	05/25/96	Chris Graves	05/22/98
MAG	M. Wiseman	05/24/96	W. Oren	05/23/98
OPS	S. Suhring	05/23/98		
ALIGN	C. Curtis	05/22/98		

CEBAF
 The Continuous Electron Beam Accelerator Facility
 NEWPORT NEWS, VIRGINIA
 UNITED STATES DEPARTMENT OF ENERGY

BEAM TRANSPORT MACHINE CONFIGURATION 2ND ARC - 2ND HALF 3RD SECTION

SIZE/DWG. NO. 28405-E-0029
 SHEET 1 OF 1