

REVISIONS					
ZONE	REV.	DESCRIPTION	DATE	APPROVED	
	L	INCORP. ECO #1032.	JRS AUG04	27SEP04 01OCT04	T.Whitch S.Suhring
	M	INCORP. ECO #1034.	JRS FEB05	16NOV05 07DEC05	T.Whitch S.Suhring
	N	INCORP. ECO #1035.	JRS FEB06	30MAR06 07APR06	T.Whitch S.Suhring
	P	INCORPORATE ECO NO. 1047	RDW AUG 11	3/24/11	5/1/11

MATCHPOINT:
X: -80.60000m
Z: -201.21379m

MATCHPOINT:
X: -80.60000m
Z: -226.21379m

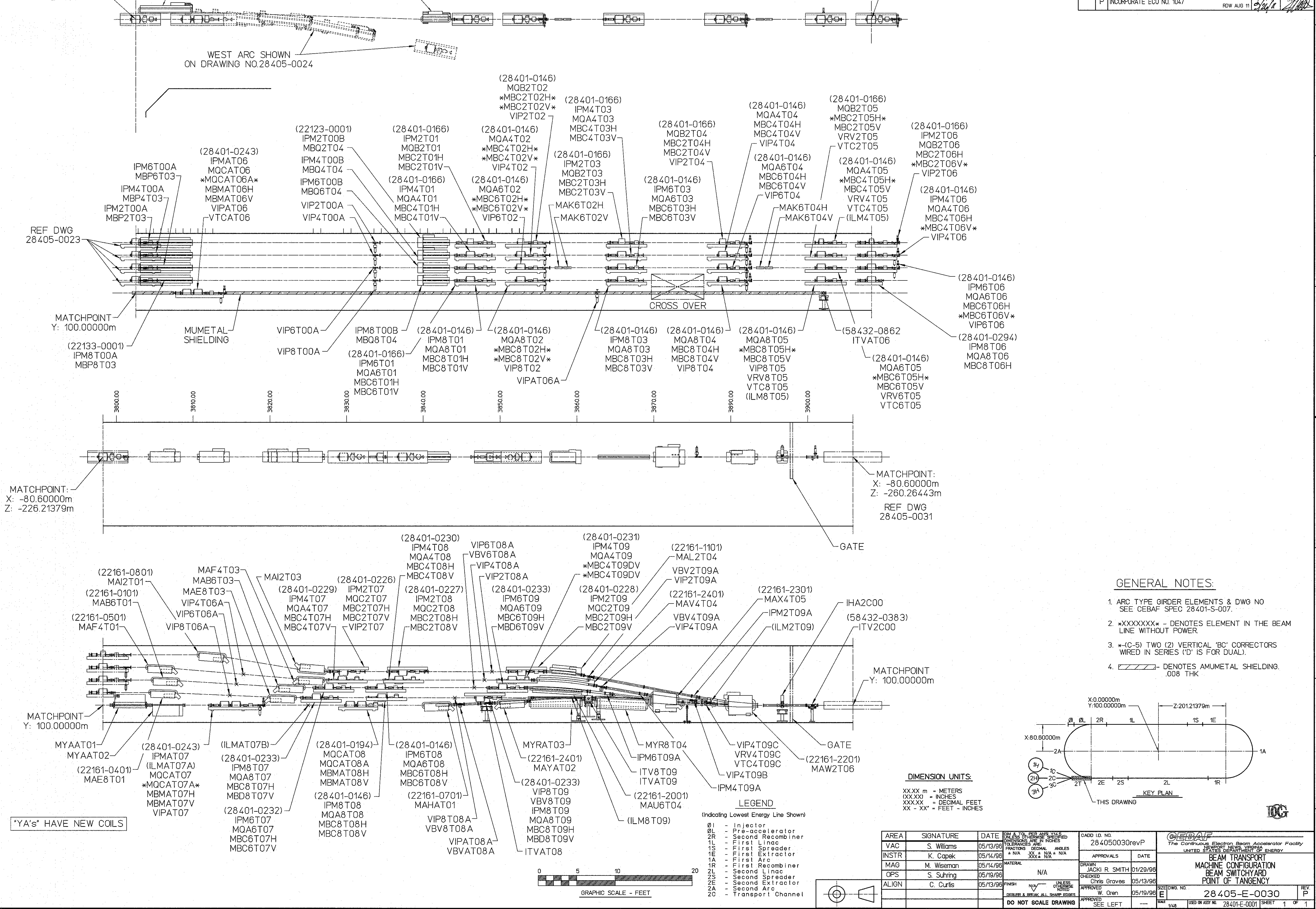
REF DWG
28405-0024

REF DWG
28405-0023

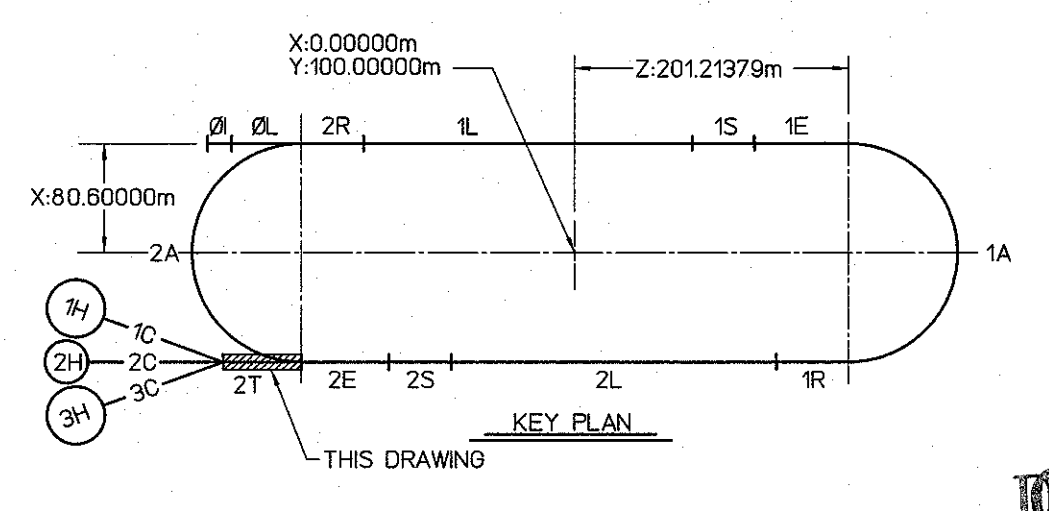
MATCHPOINT:
Y: 100.00000m

MATCHPOINT:
X: -80.60000m
Z: -226.21379m

MATCHPOINT:
X: -80.60000m
Z: -260.26443m
REF DWG
28405-0031



- GENERAL NOTES:**
- ARC TYPE GIRDER ELEMENTS & DWG NO SEE CEBAF SPEC 28401-S-007.
 - *XXXXXXXX* - DENOTES ELEMENT IN THE BEAM LINE WITHOUT POWER.
 - *(C-5) TWO (2) VERTICAL 'BC' CORRECTORS WIRED IN SERIES ('D' IS FOR DUAL).
 - /// DENOTES AMUMETAL SHIELDING .008 THK



DIMENSION UNITS:
 XX.XX m = METERS
 (XXX.X) = INCHES
 XXX.XX = DECIMAL FEET
 XX - XX' = FEET - INCHES

- LEGEND**
 (Indicating Lowest Energy Line Shown)
- 01 - Injector
 - 0L - Pre-accelerator
 - 2R - Second Recombiner
 - 1L - First Linac
 - 1S - First Spreader
 - 1E - First Extractor
 - 1A - First Arc
 - 1R - First Recombiner
 - 2L - Second Linac
 - 2S - Second Spreader
 - 2E - Second Extractor
 - 2A - Second Arc
 - 2C - Transport Channel

*YA's HAVE NEW COILS

AREA	SIGNATURE	DATE	CADD ID. NO.
VAC	S. Williams	05/13/98	284050030revP
INSTR	K. Capek	05/14/98	
MAG	M. Wiseman	05/14/98	
ALIGN	C. Curtis	05/19/98	

APPROVALS	DATE
DRAWN: JACKI R. SMITH	01/29/98
CHECKED: Chris Graves	05/13/98
APPROVED: W. Oren	05/19/98

<p>MEBAF The Continuous Electron Beam Accelerator Facility UNIVERSITY OF VIRGINIA LEWISBURG, VIRGINIA</p> <p>BEAM TRANSPORT MACHINE CONFIGURATION BEAM SWITCHYARD POINT OF TANGENCY</p>	<p>SIZE: DWG NO. 28405-E-0030</p> <p>REV: P</p>
--	---