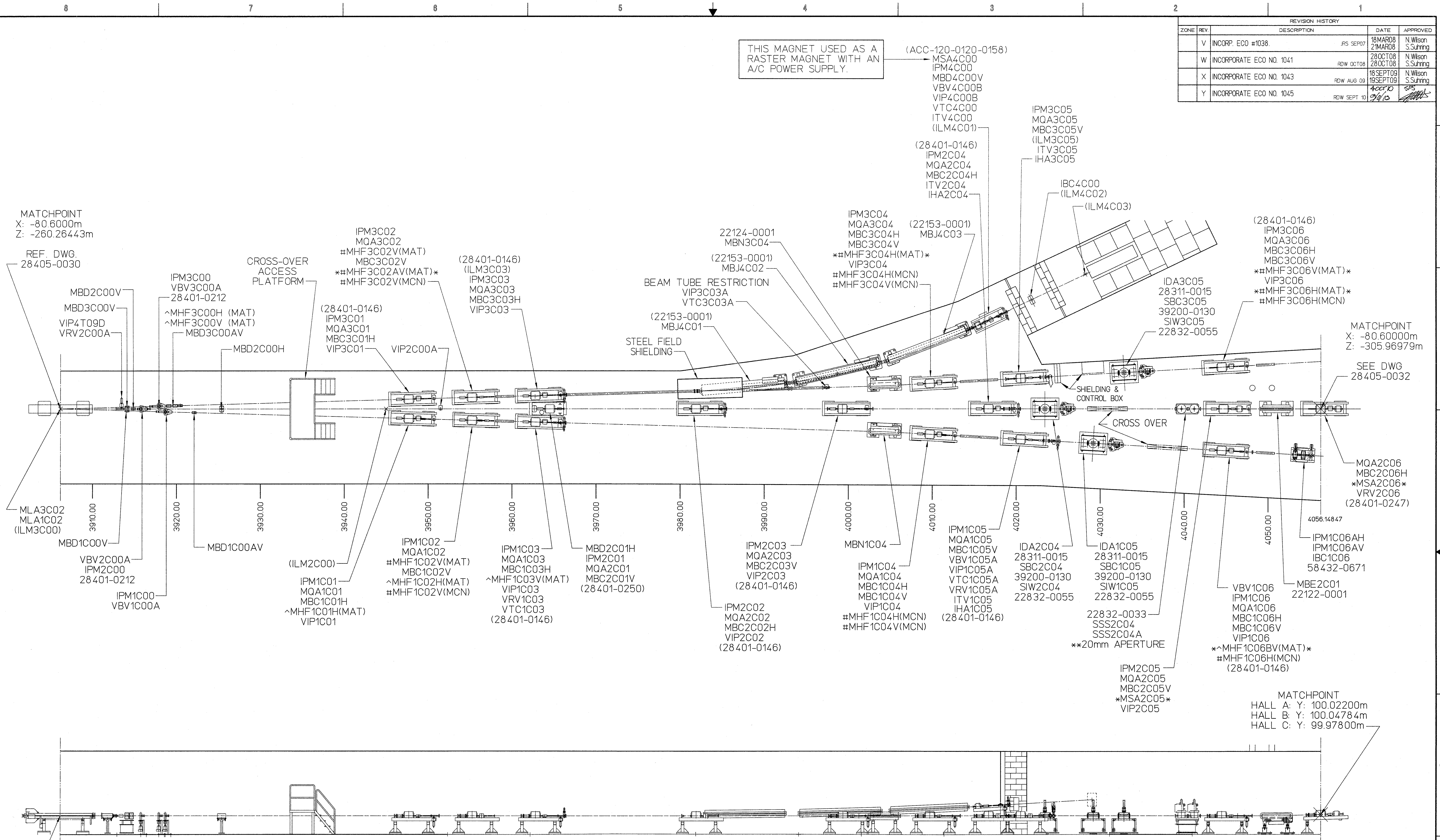


ZONE	REV	DESCRIPTION	DATE	APPROVED
V	INCORP. ECO #1038	JRS SEP07	18MAR08	N.Wilson
W	INCORPORATE ECO NO. 1041	RDW OCT08	21MAR08	S.Suhning
X	INCORPORATE ECO NO. 1043	RDW AUG 09	28OCT08	N.Wilson
Y	INCORPORATE ECO NO. 1045	RDW SEPT 10	28OCT08	S.Suhning

THIS MAGNET USED AS A RASTER MAGNET WITH AN A/C POWER SUPPLY.



MATCHPOINT
X: -80.6000m
Z: -260.26443m

MATCHPOINT
X: -80.60000m
Z: -305.96979m

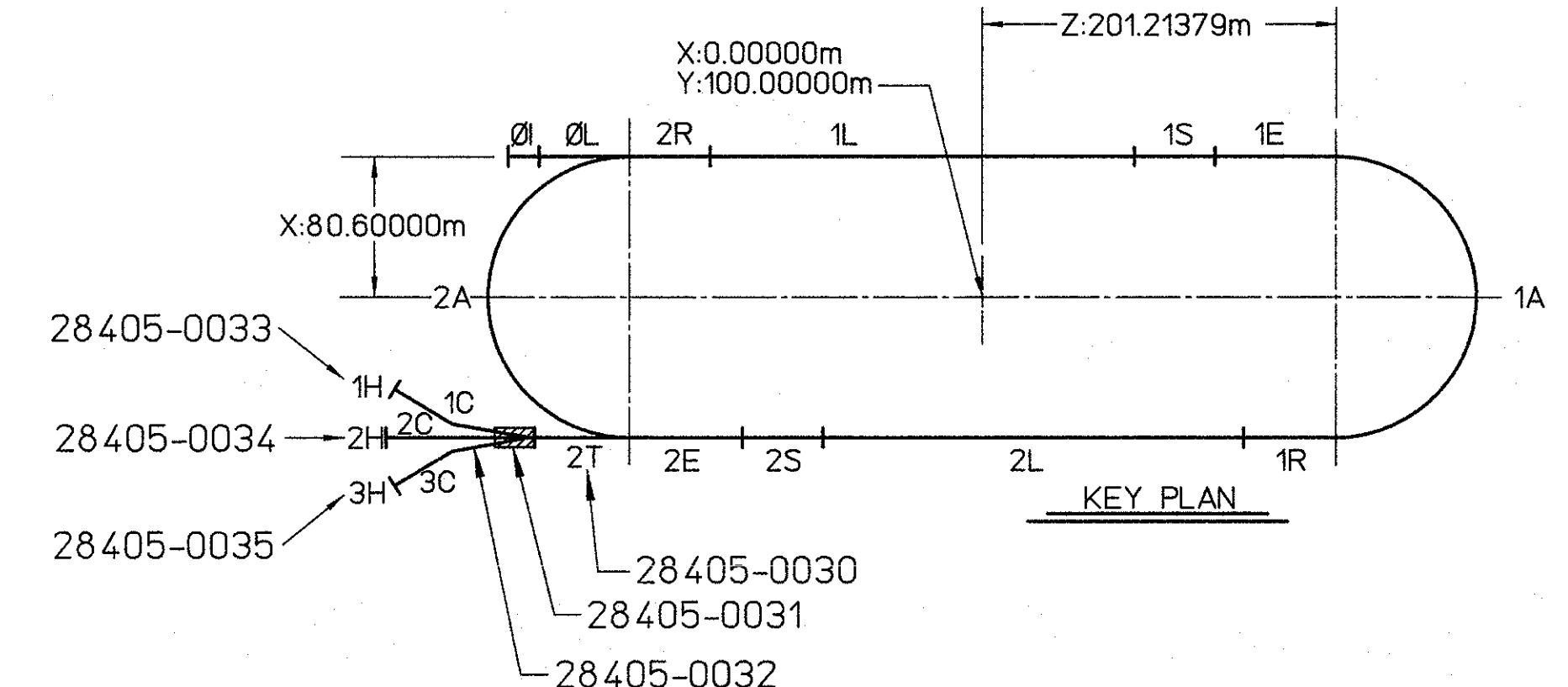
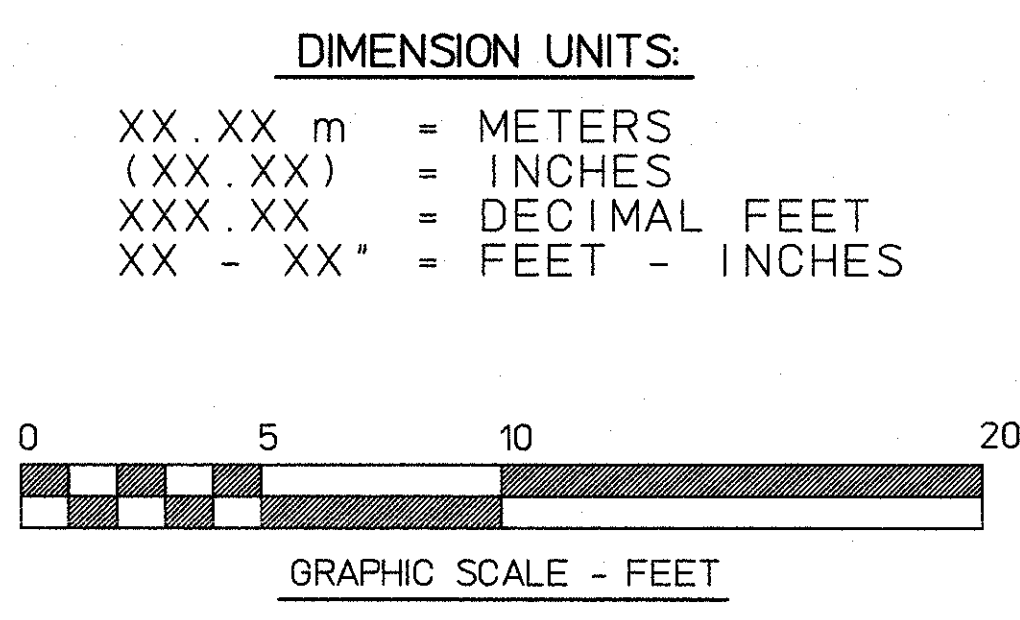
MATCHPOINT
HALL A: Y: 100.02200m
HALL B: Y: 100.04784m
HALL C: Y: 99.97800m

GENERAL NOTES:

- INSTALLATION FOR LINE A & C PER CEBAF DWG 28401-0032 (INCLUDE LINE B TO MQA2C05).
- INSTALLATION FOR LINE B, STARTING WITH MQA2C05 PER CEBAF DWG 28401-0029.
- *XXXXXXX* - DENOTES ELEMENTS IN THE BEAM LINE WITHOUT POWER.
- # - 'AT' MAGNETS IN THE FAST FEEDBACK SYSTEM.
^ - 'AT' MAGNETS IN THE POSITION MODULATION SYSTEM.

LEGEND
(Indicating Lowest Energy Line Shown)

0I	- Injector
0L	- Pre-accelerator
2R	- Second Recombiner
1S	- First Linac
1A	- First Arc
1R	- First Recombiner
2L	- Second Linac
2S	- Second Spreader
2E	- Second Extractor
2A	- Second Arc
2C	- Transport Channel



AREA	SIGNATURE	DATE	FINISH	UNLESS OTHERWISE SPECIFIED DIMENSIONS ARE IN INCHES FRACTIONS DECIMAL ANGLES TOLERANCES ARE XX.XX * N/A * N/A * N/A	APPROVALS	DATE
VAC	S. Williams	05/16/96				
INSTR	K. Capek	05/14/96				
MAG	M. Wiseman	05/14/96				
OPS	S. Suhning	05/19/96				
ALIGN	C. Curtis	05/13/96				

CADD ID NO.	284050031revY
DRAWN	JACKI R. SMITH
CHECKED	Chris Graves
APPROVED	W. Oren
DATE	05/16/96

CEBAF The Continuous Electron Beam Accelerator Facility NEWPORT NEWS, VIRGINIA UNITED STATES DEPARTMENT OF ENERGY	
BEAM TRANSPORT MACHINE CONFIGURATION BEAM SWITCHYARD-1ST SECTION	
SIZE/DWG. NO.	28405-E-0031
SCALE	1/4" = 1'
USED ON ASSY NO.	28401-E-0001
SHEET	1 OF 1

