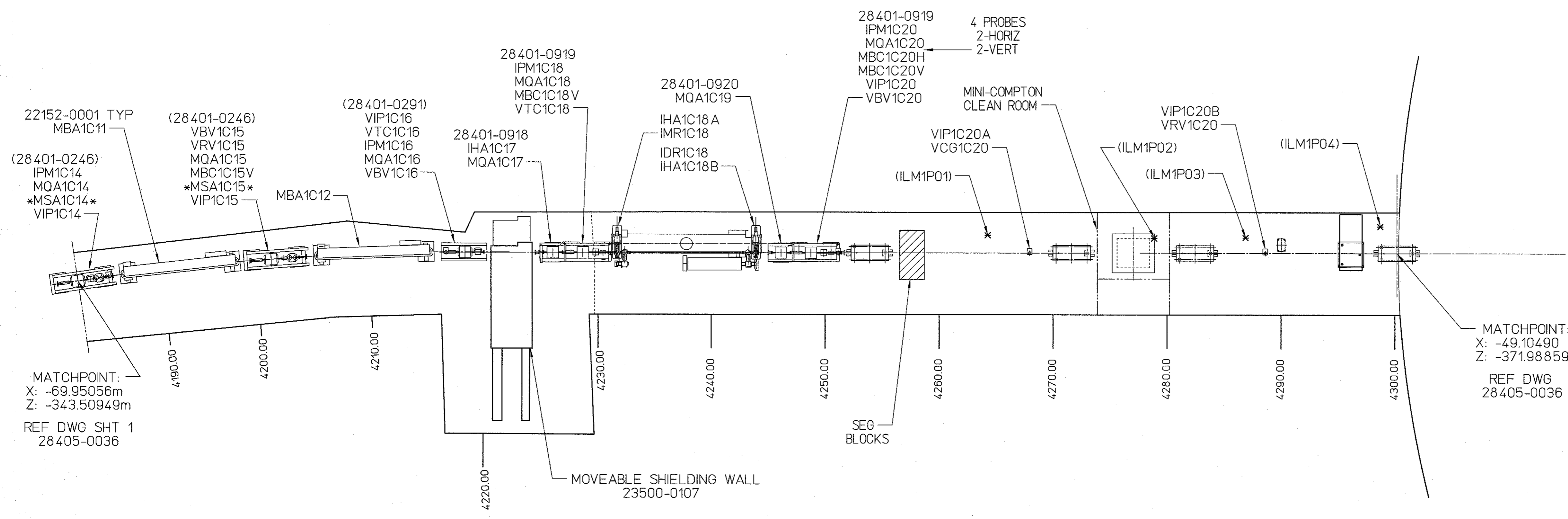
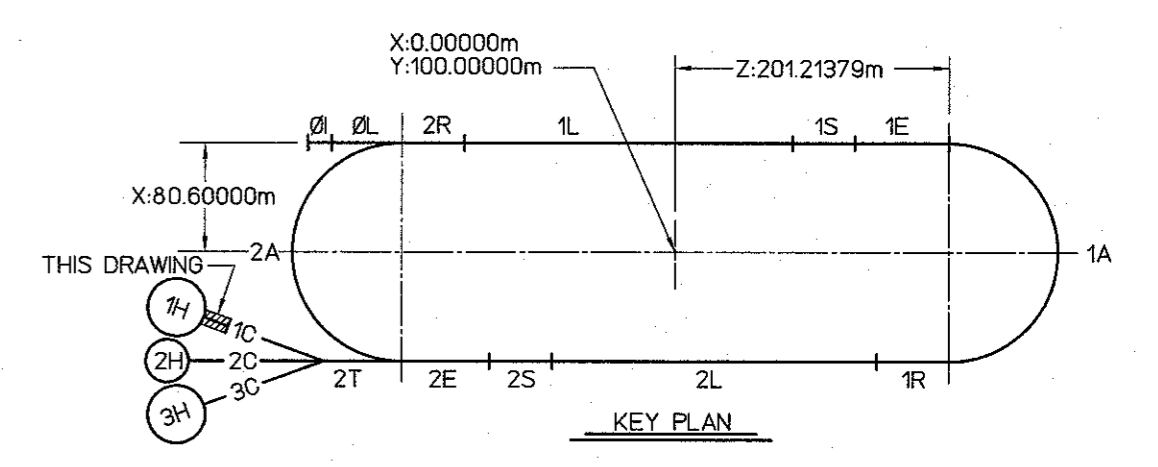
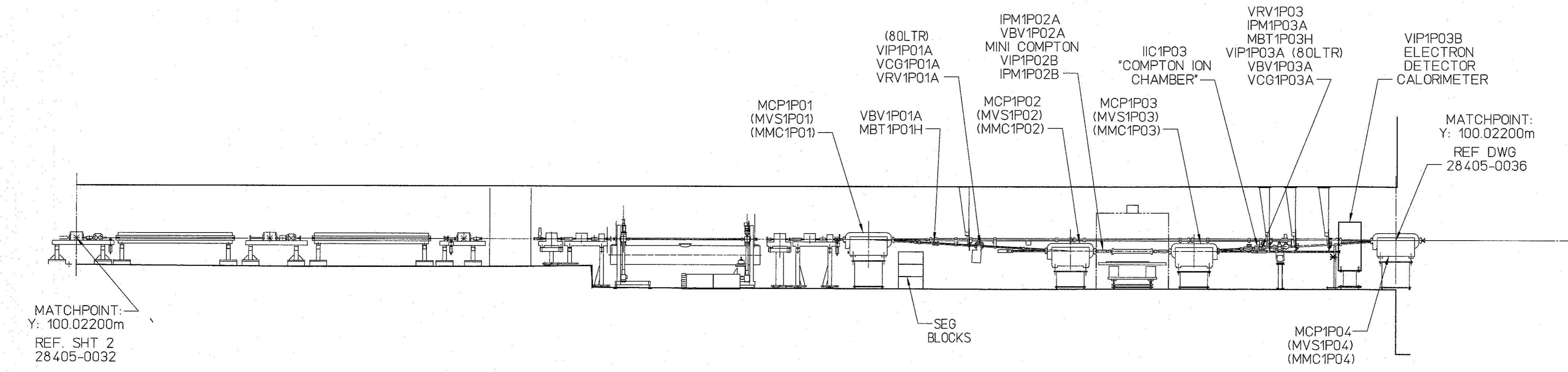


REVISIONS				
ZONE	REV.	DESCRIPTION	DATE	APPROVED
L	INCORP. ECO #1034.	JRS FEB05	14NOV05 02DEC05 07FEB06	E. Falls H. Hall S. Suhring
M	INCORP. ECO #1038.	JRS OCT07	30NOV07 30JAN08 31JAN08	N. Wilson E. Falls S. Suhring
N	INCORPORATE ECO NO. 1043	ROW AUG 09	18SEPT09 19SEPT09	N. Wilson S. Suhring
P	INCORPORATE ECO NO. 1047	ROW SEP 11	9-19-11 9/24/11	S. Suhring

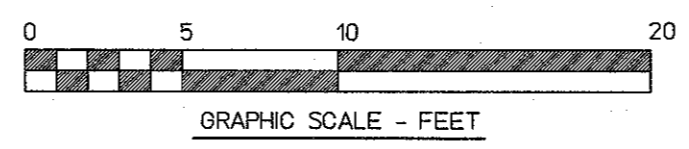


- GENERAL NOTES:**
- GIRDERS & BA DIPOLES PRIOR TO SHIELDING WALL TO BE INSTALLED PER 28401-0032.
 - SHIELDING WALL TO BE INSTALLED PER 28401-0029.
 - GIRDERS & OTHER ELEMENTS AFTER SHIELDING WALL TO BE INSTALLED PER 28401-0293.
 - *XXXXXX* - DENOTES ELEMENTS IN THE BEAM LINE WITHOUT POWER.
 - REF. THE FOLLOWING FOR INFORMATION RELATED TO THE COMPONENTS INDICATED ON THIS DWG:
A) PHYA.A00000 TEMPLATE.21 COMP POL SACLAY DWGS.
B) PHYA.A00000 TEMPLATE.22 COMP POL LPC DWGS.



DIMENSION UNITS:
 XXX.XX m = METERS
 (XX.XXX) = INCHES
 XXX.XX = DECIMAL FEET
 XX - XX* = FEET - INCHES

- LEGEND**
 (Indicating Lowest Energy Line Shown)
- Ø1 - Injector
 - ØL - Pre-accelerator
 - 2R - Second Recombiner
 - 1L - First Linac
 - 1S - First Spreader
 - 1E - First Extractor
 - 1A - First Arc
 - 1R - First Recombiner
 - 2L - Second Linac
 - 2S - Second Spreader
 - 2E - Second Extractor
 - 2A - Second Arc
 - 2C - Transport Channel



AREA	SIGNATURE	DATE	APPROVALS	DATE
VAC	S. Williams	05/13/96		
INSTR	K. Capak	05/14/96		
MAG	M. Wiseman	05/14/96		
OPS	S. Suhring	05/14/96		
ALIGN	C. Curtis	05/06/96		

CADD I.D. NO.	284050033revP
DRAWN	JACKI R. SMITH
CHECKED	Chris Graves
APPROVED	W. Oren
DATE	05/16/96

BEAM TRANSPORT MACHINE CONFIGURATION LINE 'A'-SHIELDING WALL

28405-E-0033

1/48 USED ON ASSY NO. 28401-E-0001 SHEET 1 OF 1