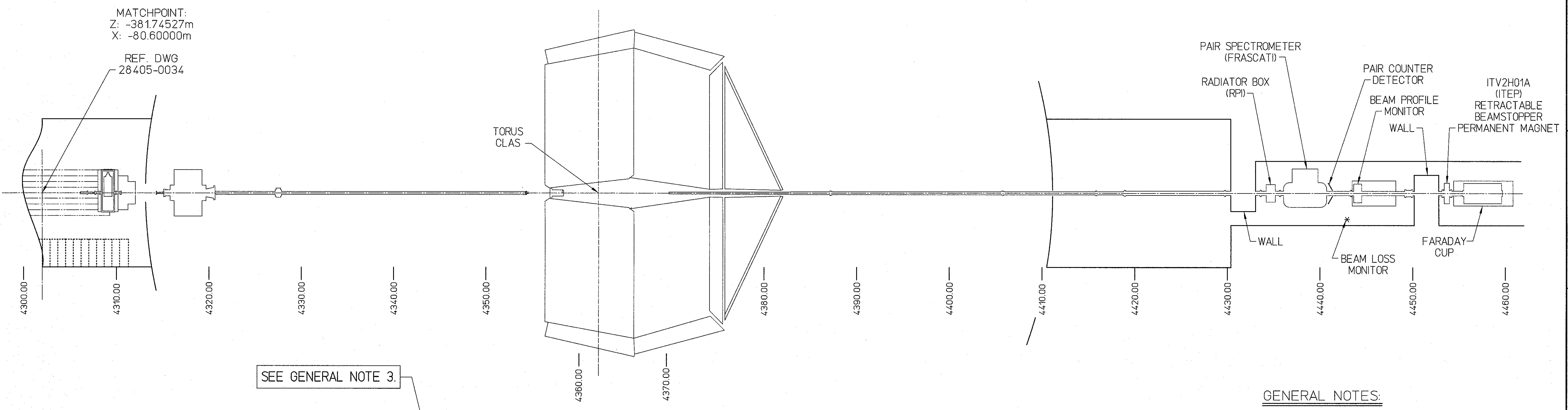


REVISION HISTORY				
ZONE	REV.	DESCRIPTION	DATE	APPROVED
Q		INCORPORATE ECO NO. 1041	28OCT08	N.Wilson
			29OCT08	D.Kashy
			28OCT08	S.Suhning
R		INCORPORATE ECO NO. 1043	18SEPT09	N.Wilson
			18SEPT09	D.Kashy
			19SEPT09	S.Suhning
S		PRELIMINARY DRAFT ISSUE	ROW DEC 10	
T		INCORPORATE ECO NO. 1047	9/24/11	SFS
			9/24/11	DDC

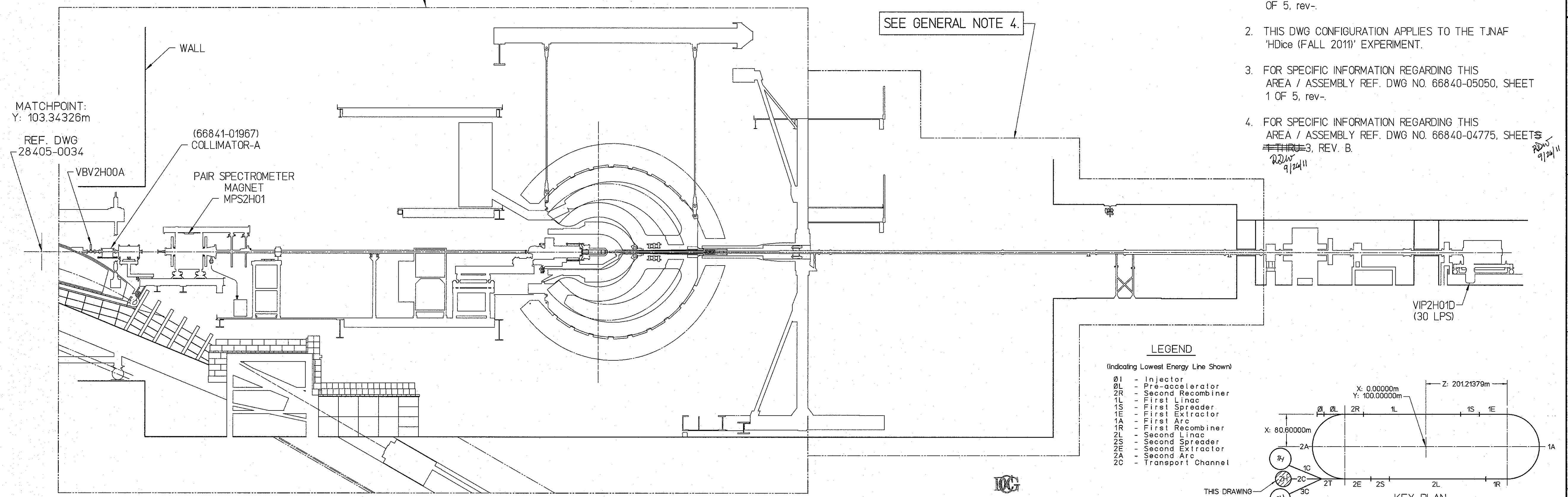


SEE GENERAL NOTE 3.

SEE GENERAL NOTE 4.

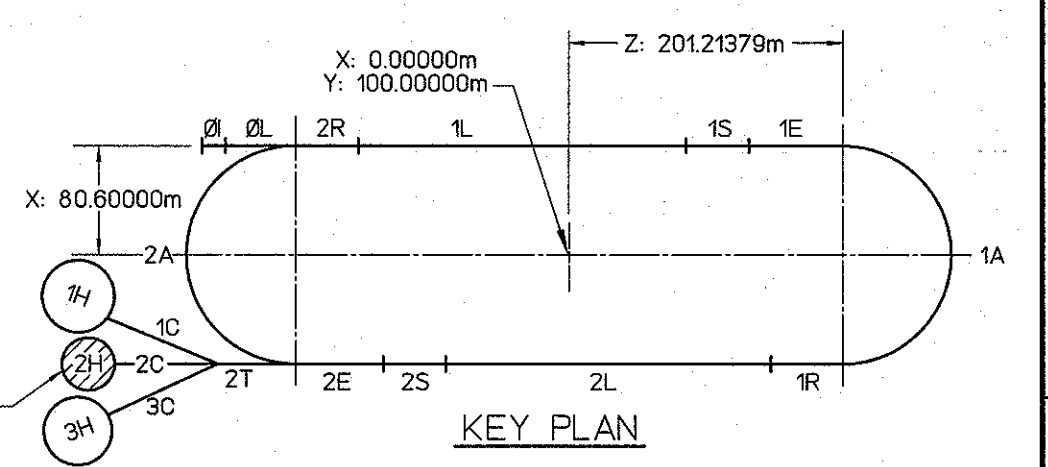
GENERAL NOTES:

- HALL CONFIGURATIONS PER DWG 66840-05050, Sheet 1 OF 5, rev-.
- THIS DWG CONFIGURATION APPLIES TO THE TJNAF 'HDice (FALL 2011)' EXPERIMENT.
- FOR SPECIFIC INFORMATION REGARDING THIS AREA / ASSEMBLY REF. DWG NO. 66840-05050, SHEET 1 OF 5, rev-.
- FOR SPECIFIC INFORMATION REGARDING THIS AREA / ASSEMBLY REF. DWG NO. 66840-04775, SHEETS 1 THRU 3, REV. B.
DDC 9/24/11



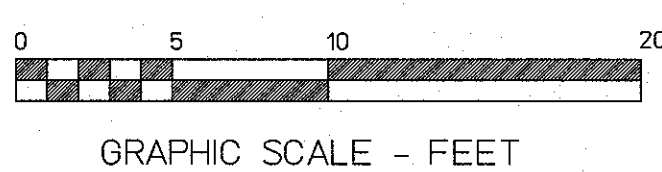
LEGEND

- (Indicating Lowest Energy Line Shown)
- Ø1 - Injector
 - ØL - Pre-accelerator
 - 2R - Second Recombiner
 - 1L - First Linac
 - 1S - First Spreader
 - 1E - First Extractor
 - 1A - First Arc
 - 1R - First Recombiner
 - 2L - Second Linac
 - 2S - Second Spreader
 - 2E - Second Extractor
 - 2C - Transport Channel



DIMENSION UNITS:

- XX.XX m = METERS
- (XX.XX) = INCHES
- XXX.XX = DECIMAL FEET
- XX - XX = FEET - INCHES



AREA	SIGNATURE	DATE
VAC	S. Williams	08/21/96
INSTR	K. Capek	08/21/96
MAG	M. Wiseman	08/21/96
OPS	S. Suhning	08/22/96
ALIGN	W. Oren	08/23/96

APPROVALS		DATE
DRAWN	Jacki R. Smith	07/23/96
CHECKED	C. GRAVES	08/20/96
APPROVED	C. CURTIS	08/20/96

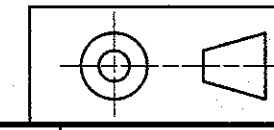
CADD ID NO. 284050037revT

Thomas Jefferson National Accelerator Facility
UNITED STATES DEPARTMENT OF ENERGY

BEAM TRANSPORT MACHINE CONFIGURATION LINE 'B' - HALL 'B'

SIZE/DWG. NO. 28405-E-0037

REV. T



DO NOT SCALE DRAWING