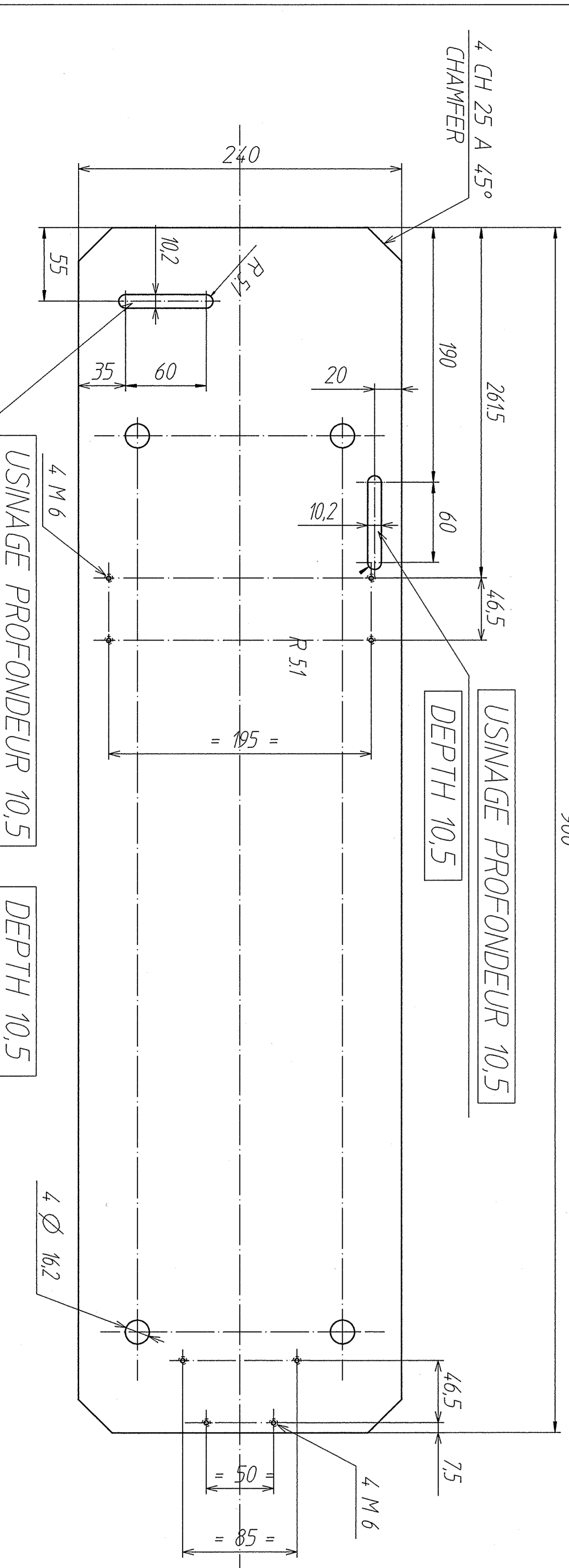


PAPP J.P. NR. 656/65600/38143.d /65600038143.01SH1		Thomas Jefferson National Accelerator Facility UNITED STATES DEPARTMENT OF ENERGY	
APPROVALS	DATE	SIZE/DWG. NO.	REV.
DRAWN J. MILLER	12/16/96	D	-
CHECKED		65600-D-38143-01	
APPROVED C. WOOD	1/2/97	USED ON SST 65600-E-38143-00	SHEET 1 OF 1

**POUR REALISATION**  
Dess. : mois le 07-May-96 a 16:08

A	Origine	09/04/96 SAUCE



Ref. C.A.O. : PR1401 01 - A B.D. Projet : CEBAFMES,140,MOLS

CEBAF  
MESURE D'ARC  
MOTORISATION+REGLAGE  
DETAIL 01

05  
FORTAL ep 30mm ALUMINUM ALLOY 11k 30mm  
9B 6114 DM - 1401 01 - RA

