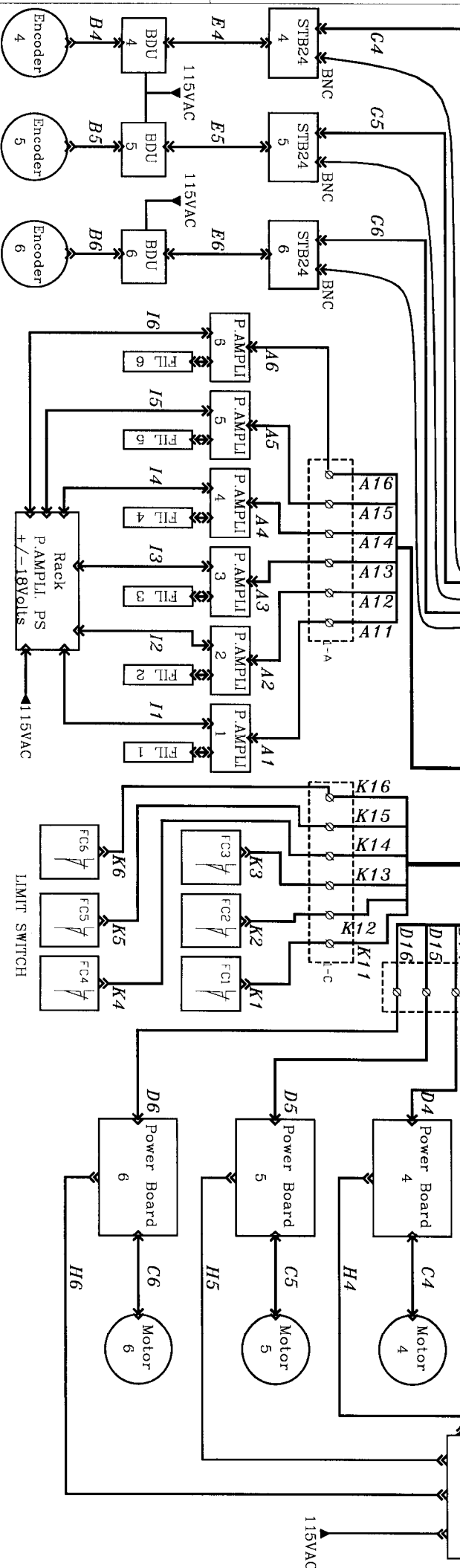
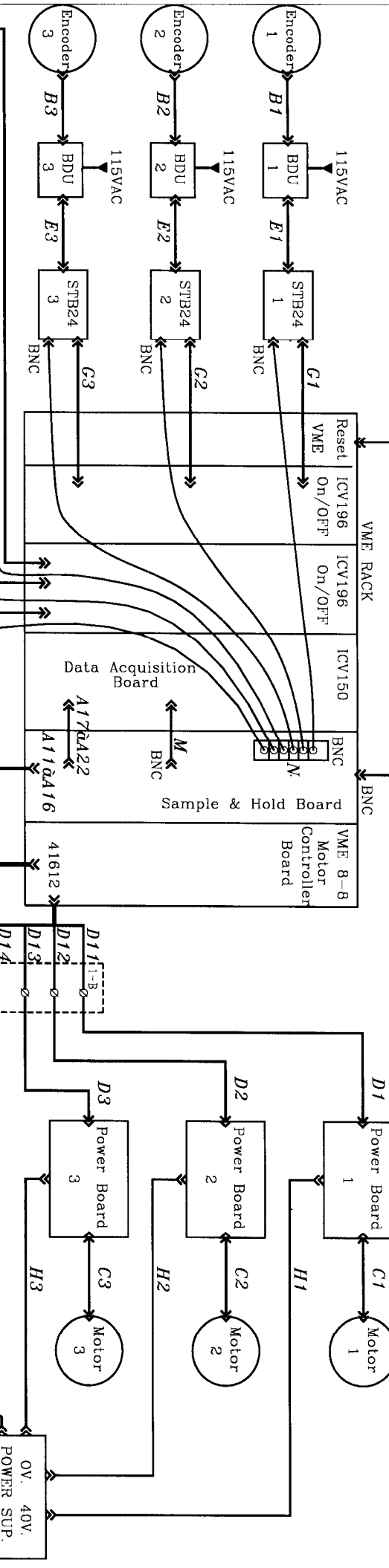
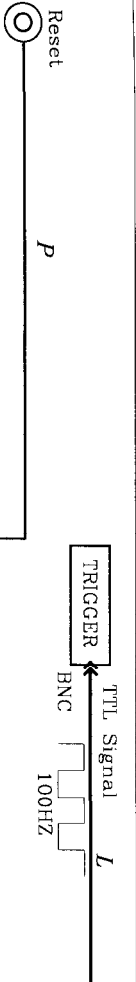


0 1 2 3 4 5 6 7 9



DSM/DAPNIA/SIG
CEBAF ARC
General Block Diagram
Conçu par: MARTIN X.
Date: _____
Céa / CE, SACLAY
7M6114 DT-0500 ---RA
2/10M
206
B

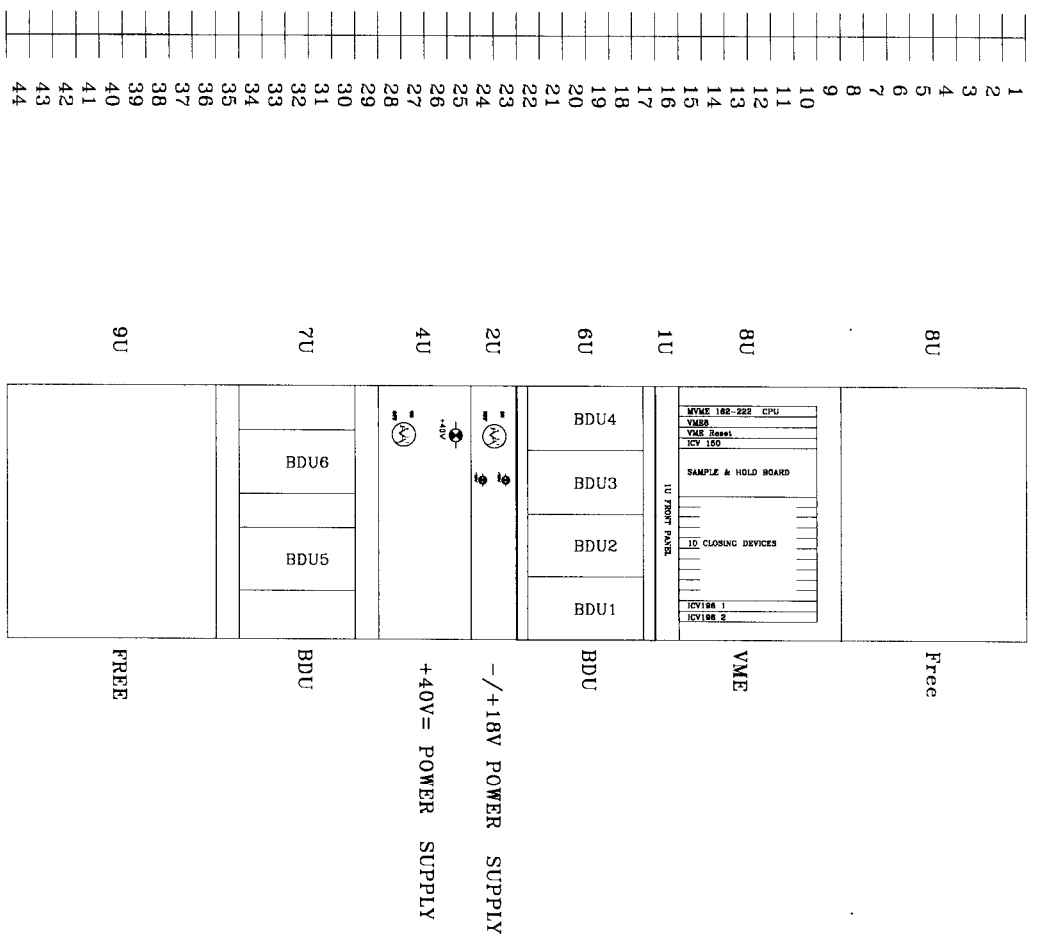
B	12/02/97	R.W.	
Ind	Date	Nom	Modif

Crpe: Mes. Syst. Asservis.
Date: _____

0 1 2 3 4 5 6 7 8 9

RACK IH75 B06

FRONT



Ind	Date	Nom	Modif.
C	26/03/98	MX	Update

DSM/DAPNIA/SIG
Grpe: Mes. Syst. Asservis.

CEBAF ARC

Front Rack IH75B06

Conçu par: C.DISPAN
Date:

Dessiné par: M.ROSTANG
 Date:

CEA / CE. SACLAY
7M6114 DT-0500 ---RA