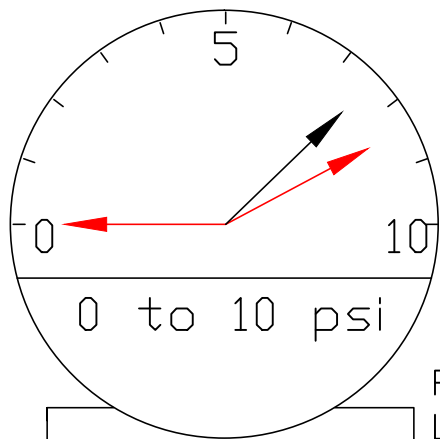
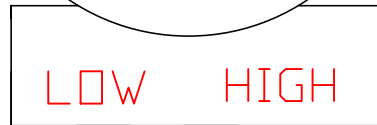


# SoLID HGC C4F10 Gas System Pressure Safety Interlocks

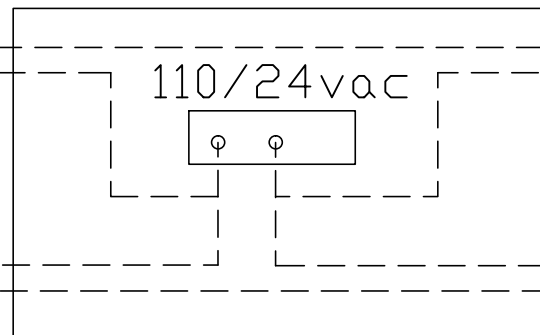


SOLID HGC  
Photohelic A3210-24VAC

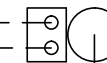
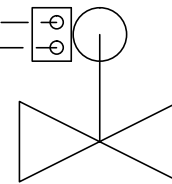
PhotoHelic HIGH/LOW Pressure  
Limit Relays



Solenoid Power Distribution



Normally Closed  
Supply Solenoid



Normally Closed  
Return Solenoid

SoLID HGC Pressure Safety Interlocks  
George Jacobs 31 Oct 2018  
Physics DSG