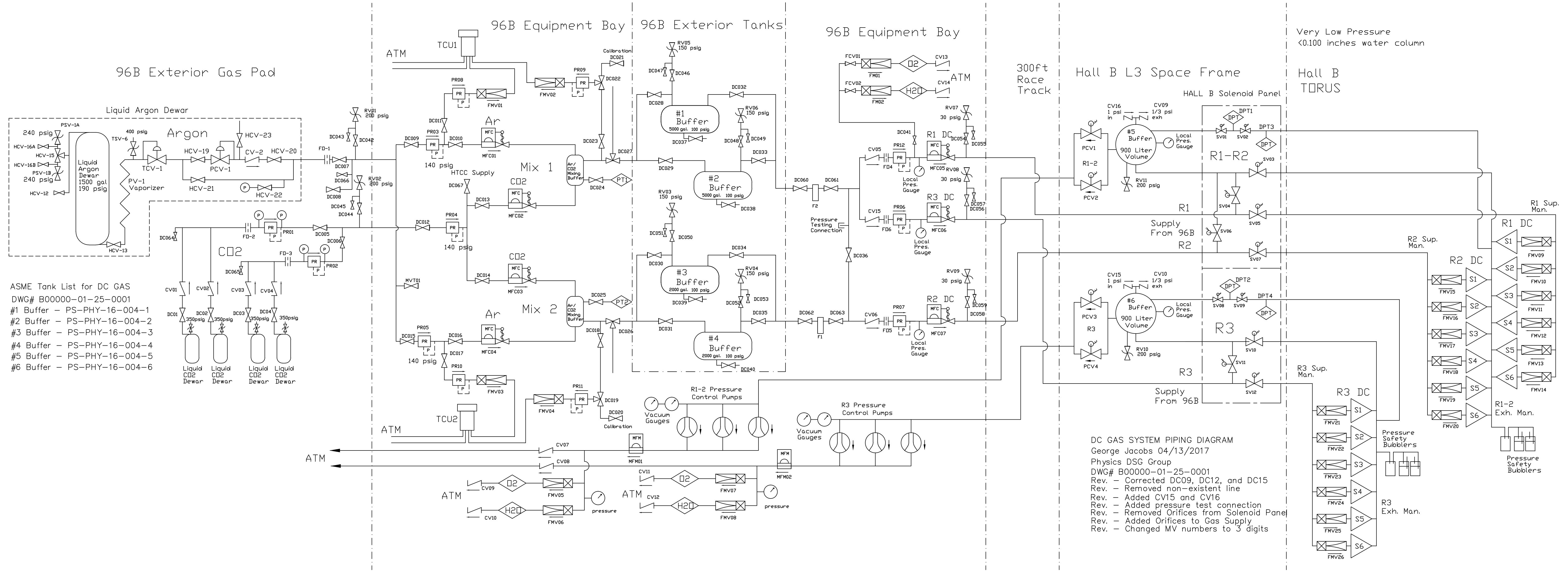


HALL B DC GAS Mixing and Supply Diagram

B00000-01-25-0001



- ASME Tank List for DC GAS
 DWG# B00000-01-25-0001
 #1 Buffer - PS-PHY-16-004-1
 #2 Buffer - PS-PHY-16-004-2
 #3 Buffer - PS-PHY-16-004-3
 #4 Buffer - PS-PHY-16-004-4
 #5 Buffer - PS-PHY-16-004-5
 #6 Buffer - PS-PHY-16-004-6

DC GAS SYSTEM PIPING DIAGRAM
 George Jacobs 04/13/2017
 Physics DSG Group
 DWG# B00000-01-25-0001
 Rev. - Corrected DC09, DC12, and DC15
 Rev. - Removed non-existent line
 Rev. - Added CV15 and CV16
 Rev. - Added pressure test connection
 Rev. - Removed Orifices from Solenoid Panel
 Rev. - Added Orifices to Gas Supply
 Rev. - Changed MV numbers to 3 digits

Very Low Pressure
 <0.100 inches water column