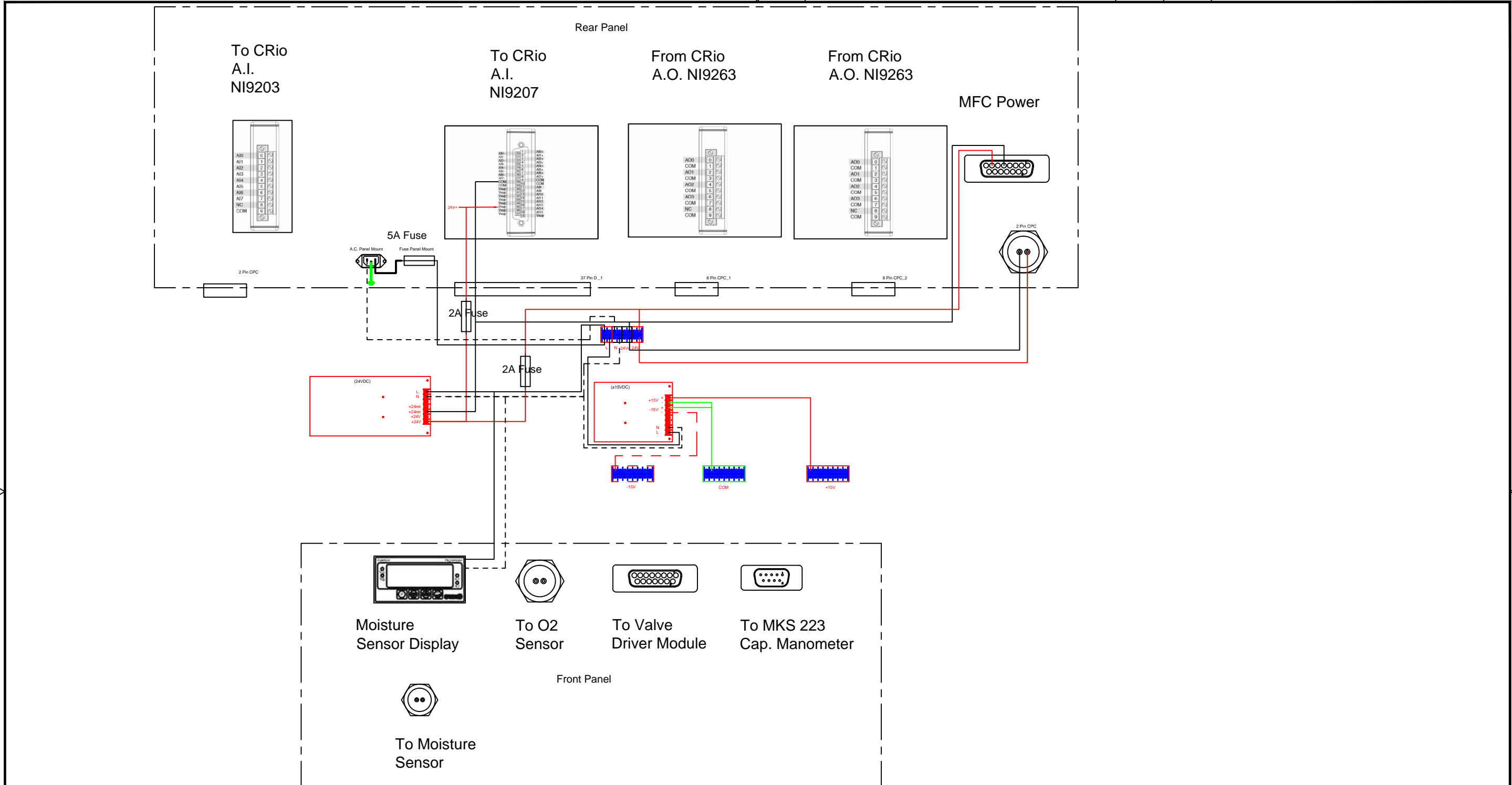
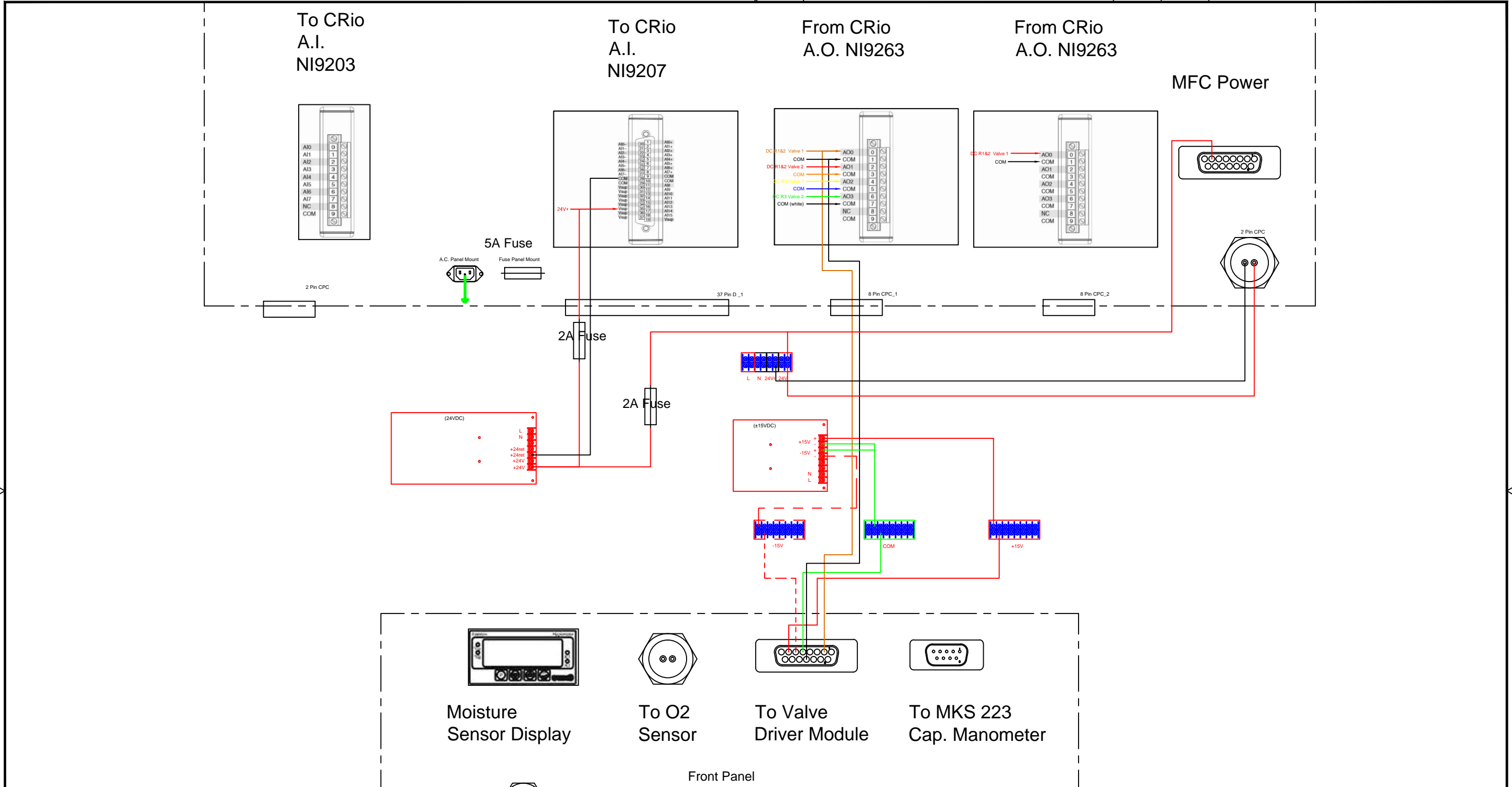


DIM & TOL PER ANSI Y14.5 UNLESS OTHERWISE SPECIFIED. DIMENSIONS ARE IN MILLIMETERS. TOLERANCES ARE: FRACTIONS DECIMAL ANGLES $\pm 1/64$.XX $\pm .01$ $\pm .5$.XXX $\pm .005$	DRAWN M. McMullen DATE 4/8/15	 Thomas Jefferson National Accelerator Facility NEWPORT NEWS, VIRGINIA UNITED STATES DEPARTMENT OF ENERGY		
	CHECKED DATE			
	MATERIAL	APPR/ORIGINATOR DATE	TITLE HalIB 12GeV Upgrade DC/HTCC Gas System Gas PID Panel Internal Wiring (Single Channel)	
	FINISH DEBURR & BREAK ALL SHARP EDGES UNLESS OTHERWISE NOTED	APPROVED ENGINEER		
DO NOT SCALE DRAWING	SIZE B	CAD I.D. NO.	DRAWING NO. XXXXXXXX	REV. —
	SCALE NONE	SHOWN ON	SHEET 2 OF 2	



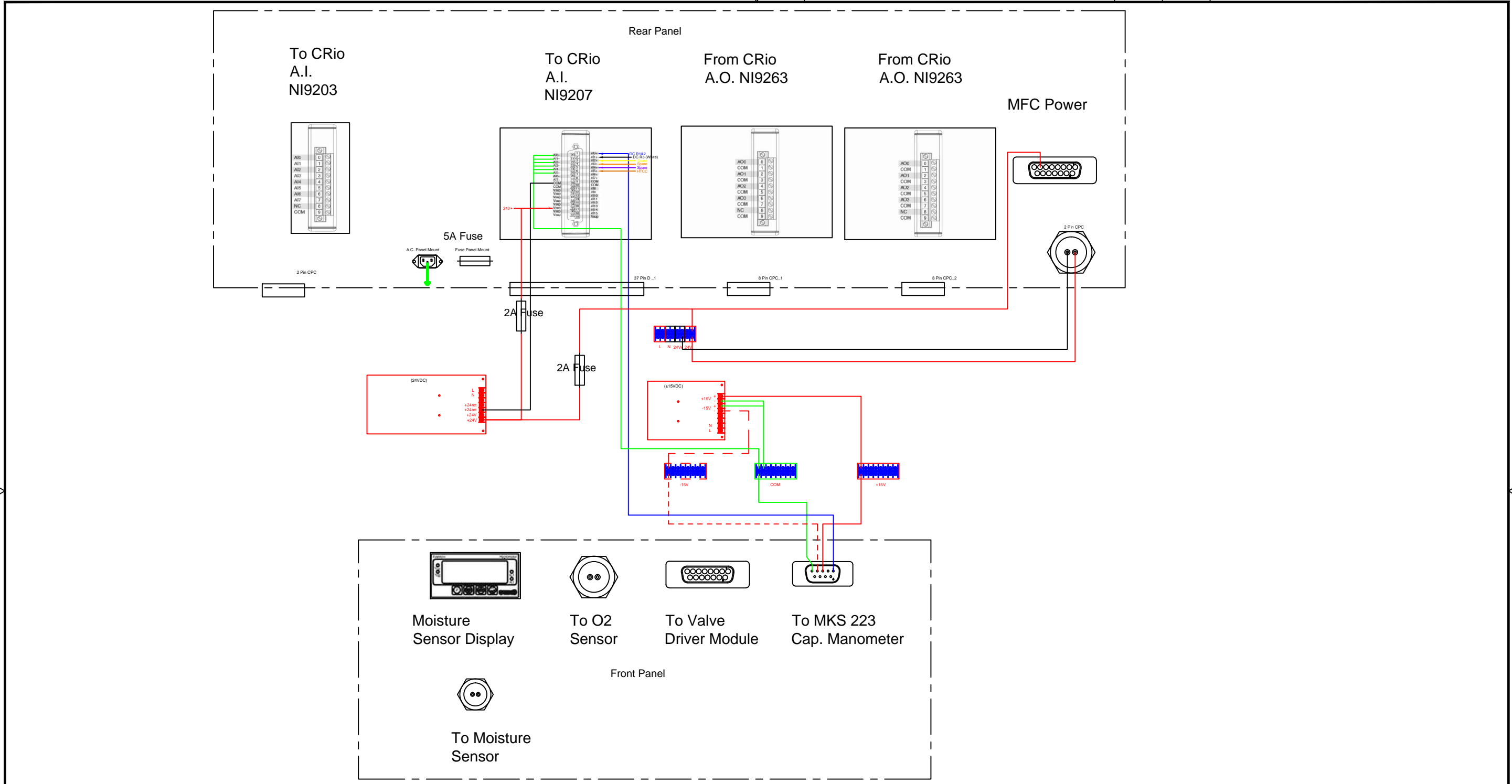
DIM & TOL PER ANSI Y14.5 UNLESS OTHERWISE SPECIFIED. DIMENSIONS ARE IN MILLIMETERS. TOLERANCES ARE: FRACTIONS DECIMAL ANGLES $\pm 1/64$.XX $\pm .01$ $\pm .5$.XXX $\pm .005$	DRAWN M. McMullen DATE 4/8/15	 Thomas Jefferson National Accelerator Facility NEWPORT NEWS, VIRGINIA UNITED STATES DEPARTMENT OF ENERGY		
	CHECKED DATE			
	MATERIAL	APPR/ORIGINATOR DATE	TITLE HalIB 12GeV Upgrade DC/HTCC Gas System Gas PID Panel Internal Wiring (Single Channel)	
	FINISH DEBURR & BREAK ALL SHARP EDGES UNLESS OTHERWISE NOTED DO NOT SCALE DRAWING	APPROVED ENGINEER	SIZE B	CAD I.D. NO. DRAWING NO. XXXXXXXX
		SCALE NONE	SHOWN ON	SHEET 2 OF 2



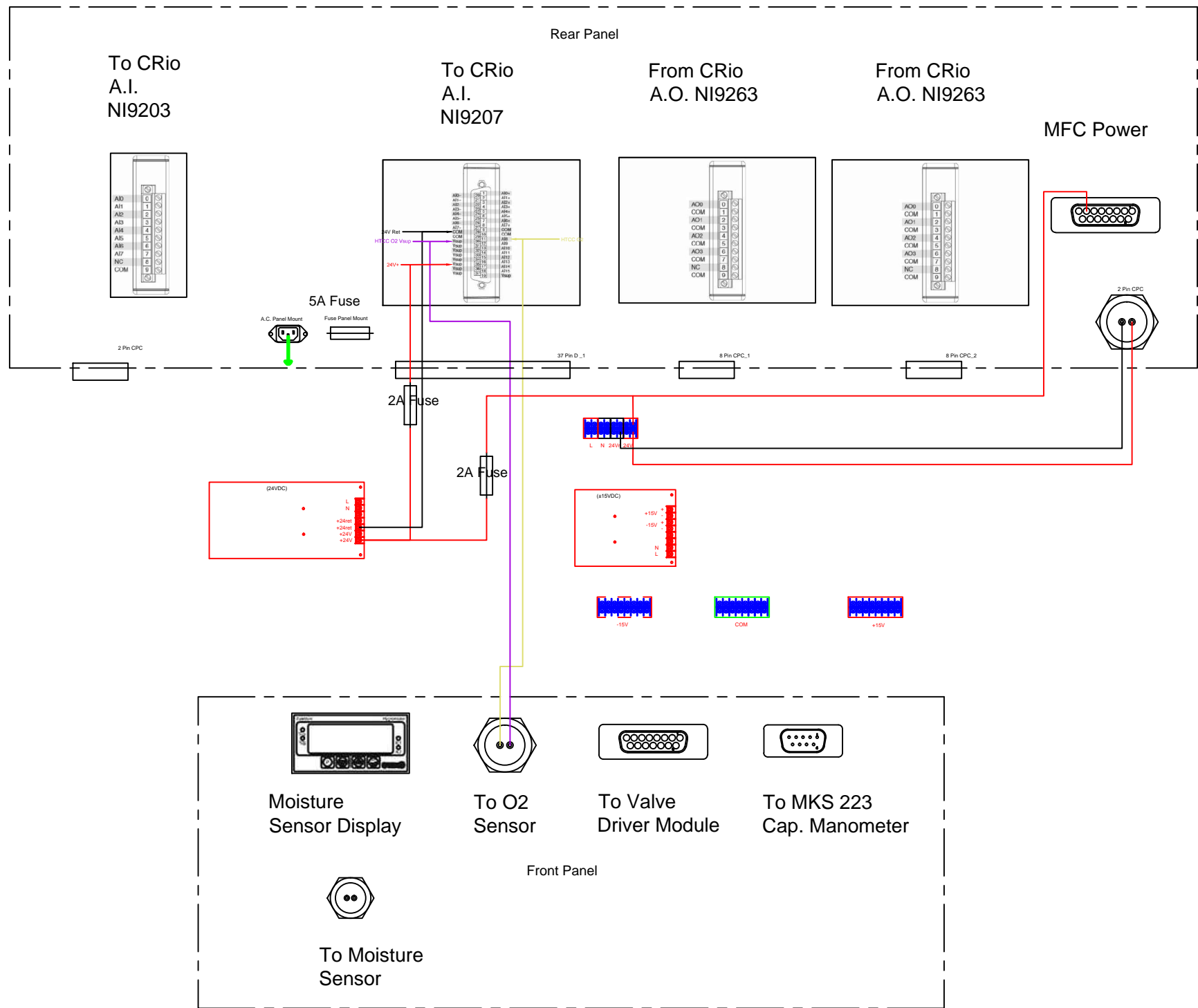
Front Panel

DIM & TOL PER ANSI Y14.5 UNLESS OTHERWISE SPECIFIED. DIMENSIONS ARE IN MILLIMETERS. TOLERANCES ARE: FRACTIONS DECIMAL ANGLES $\pm 1/64$.XX $\pm .01$ $\pm .5$.XXX $\pm .005$	DRAWN	DATE	 Thomas Jefferson National Accelerator Facility NEWPORT NEWS, VIRGINIA UNITED STATES DEPARTMENT OF ENERGY			
	M. McMullen	4/8/15				
	MATERIAL	CHECKED	DATE	TITLE HalIB 12GeV Upgrade DC/HTCC Gas System Gas PID Panel Internal Wiring (Single Channel)		
	FINISH	APPR/ORIGINATOR	DATE			
DEBURR & BREAK ALL SHARP EDGES UNLESS OTHERWISE NOTED	APPROVED	ENGINEER	SIZE	CAD I.D. NO.	DRAWING NO.	REV.
DO NOT SCALE DRAWING			B		XXXXXXX	—
			SCALE	SHOWN ON	SHEET	OF
			NONE		2	2





DIM & TOL PER ANSI Y14.5 UNLESS OTHERWISE SPECIFIED. DIMENSIONS ARE IN MILLIMETERS. TOLERANCES ARE: FRACTIONS DECIMAL ANGLES $\pm 1/64$.XX $\pm .01$ $\pm .5$.XXX $\pm .005$	DRAWN M. McMullen DATE 4/8/15	 Thomas Jefferson National Accelerator Facility NEWPORT NEWS, VIRGINIA UNITED STATES DEPARTMENT OF ENERGY		
	CHECKED DATE			
	MATERIAL	APPR/ORIGINATOR	TITLE HalIB 12GeV Upgrade DC/HTCC Gas System Gas PID Panel Internal Wiring (Single Channel)	
	FINISH DEBURR & BREAK ALL SHARP EDGES UNLESS OTHERWISE NOTED	APPROVED ENGINEER	SIZE B	CAD I.D. NO. DRAWING NO. XXXXXXXX
DO NOT SCALE DRAWING	SCALE NONE	SHOWN ON	SHEET 2 OF 2	



DIM & TOL PER ANSI Y14.5 UNLESS OTHERWISE SPECIFIED. DIMENSIONS ARE IN MILLIMETERS. TOLERANCES ARE:

FRACTIONS	DECIMAL	ANGLES
± 1/64	.XX ± .01	± .5
	.XXX ± .005	

MATERIAL

FINISH

DEBURR & BREAK ALL SHARP EDGES UNLESS OTHERWISE NOTED

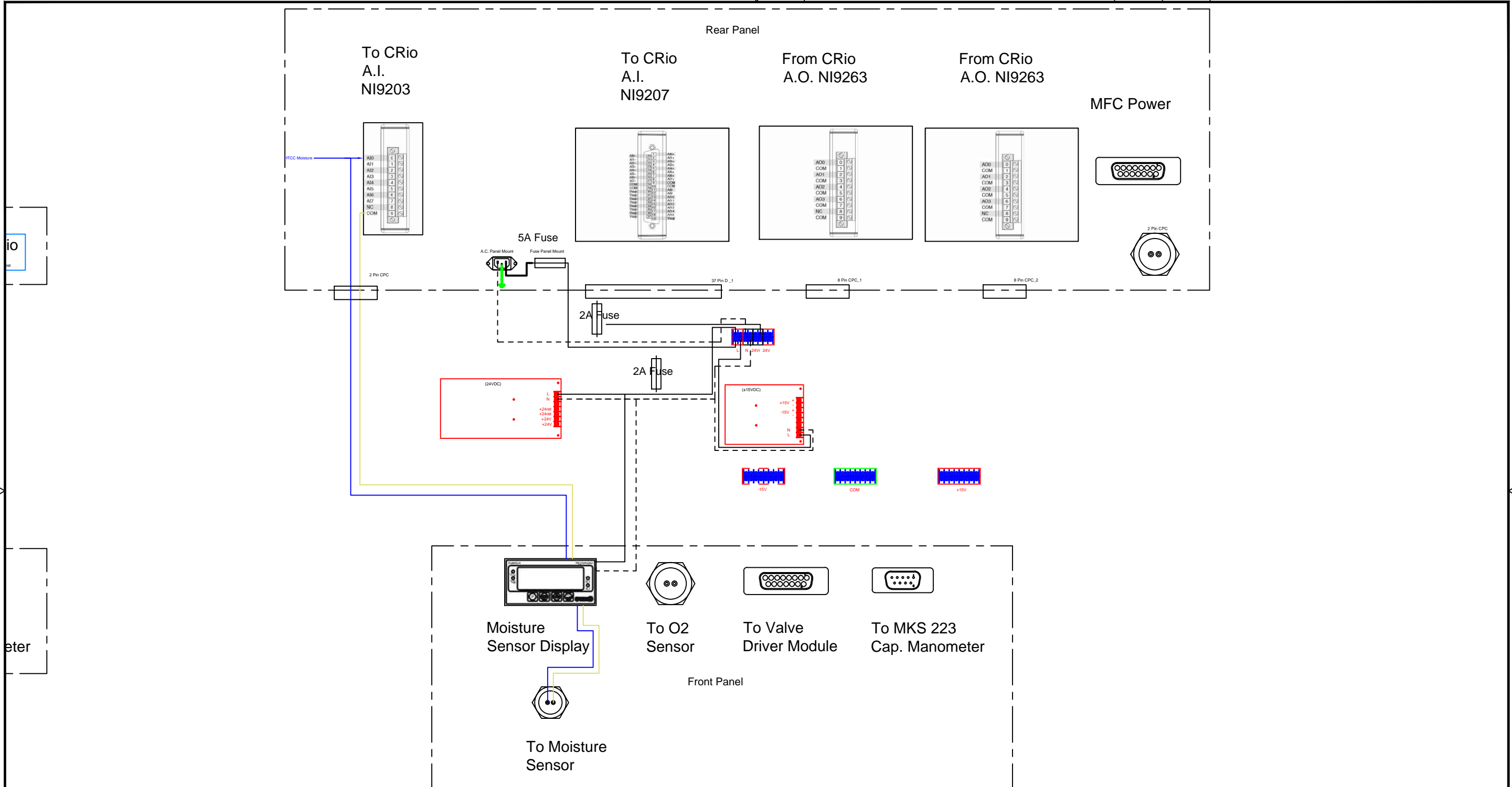
DO NOT SCALE DRAWING

DRAWN	M. McMullen	DATE	4/8/15
CHECKED		DATE	
APPR/ORIGINATOR		DATE	
APPROVED			
ENGINEER			

Jefferson Lab
 Thomas Jefferson National Accelerator Facility
 NEWPORT NEWS, VIRGINIA
 UNITED STATES DEPARTMENT OF ENERGY

TITLE HalIB 12GeV Upgrade
 DC/HTCC Gas System
 Gas PID Panel
 Internal Wiring (Single Channel)

SIZE	CAD I.D. NO.	DRAWING NO.	REV.
B		XXXXXXXX	—
SCALE	SHOWN ON	SHEET 2 OF 2	
NONE			



DIM & TOL PER ANSI Y14.5 UNLESS OTHERWISE SPECIFIED. DIMENSIONS ARE IN MILLIMETERS. TOLERANCES ARE: FRACTIONS DECIMAL ANGLES $\pm 1/64$.XX $\pm .01$ $\pm .5$.XXX $\pm .005$	DRAWN M. McMullen DATE 4/8/15	<i>Jefferson Lab</i> Thomas Jefferson National Accelerator Facility NEWPORT NEWS, VIRGINIA UNITED STATES DEPARTMENT OF ENERGY		
	CHECKED DATE			
	MATERIAL	APPR/ORIGINATOR DATE	TITLE HalIB 12GeV Upgrade DC/HTCC Gas System Gas PID Panel Internal Wiring (Single Channel)	
	FINISH DEBURR & BREAK ALL SHARP EDGES UNLESS OTHERWISE NOTED	APPROVED ENGINEER		
DO NOT SCALE DRAWING	SIZE B	CAD I.D. NO.	DRAWING NO. XXXXXXXX	REV. —
	SCALE NONE	SHOWN ON	SHEET 2 OF 2	