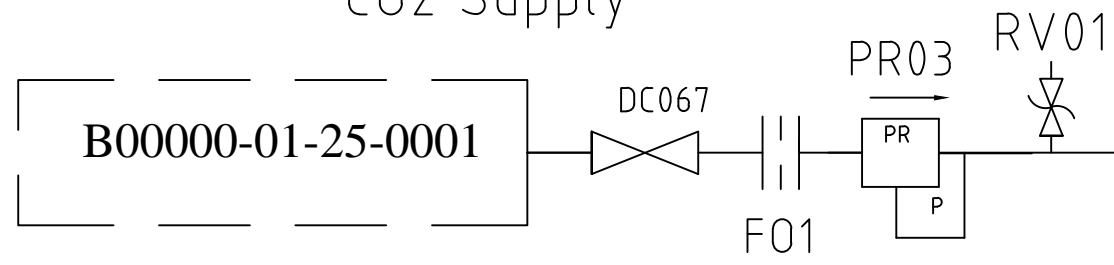


Hall B Gas Shed 96B

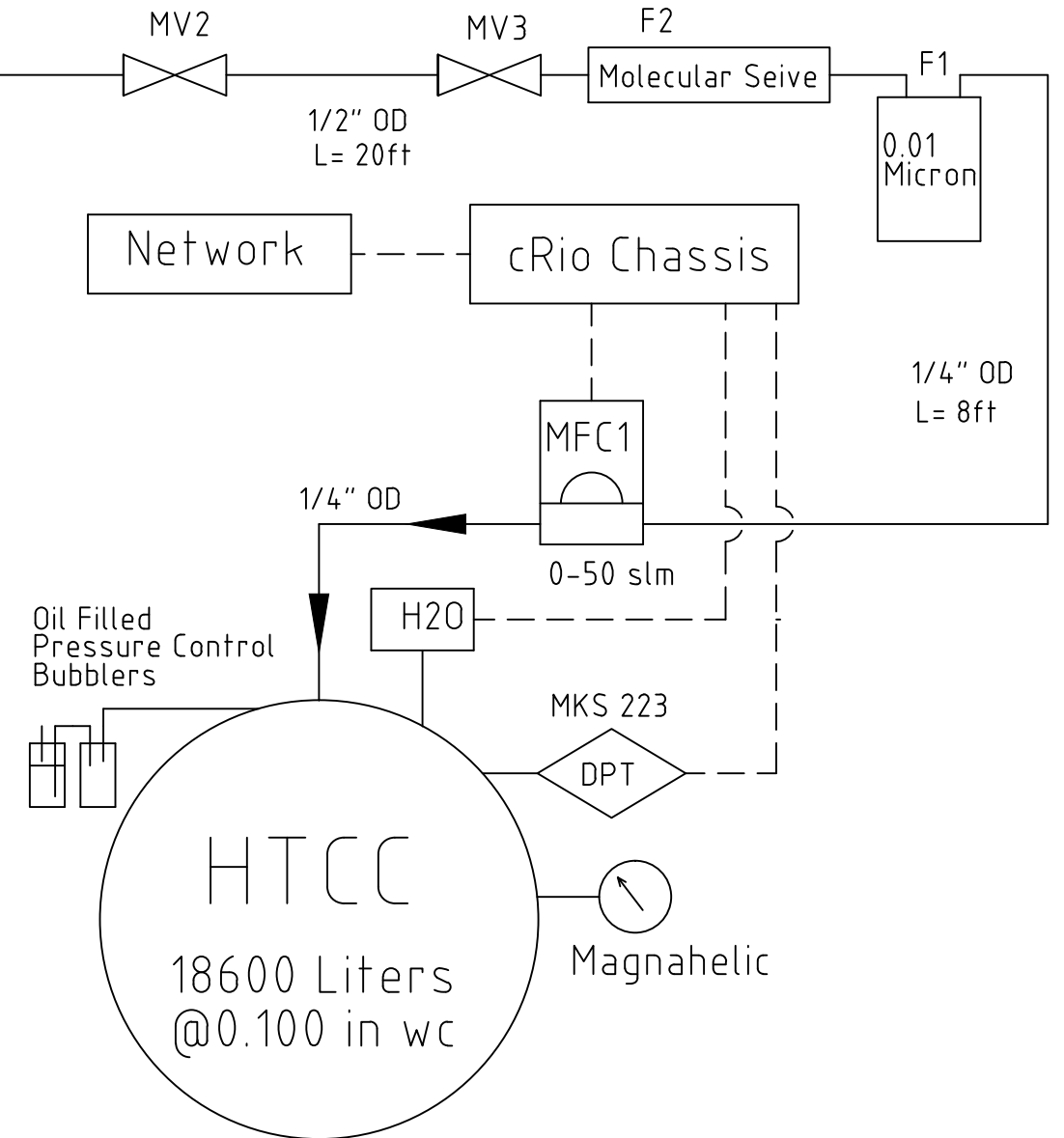
HTCC
CO2 Supply



Race Track

300 foot
1/2" OD

Hall B Space Frame and Subway Level



CO2 Supply to HTCC
George Jacobs 10/24/2017
Physics DSG Group
B00000-01-25-0100