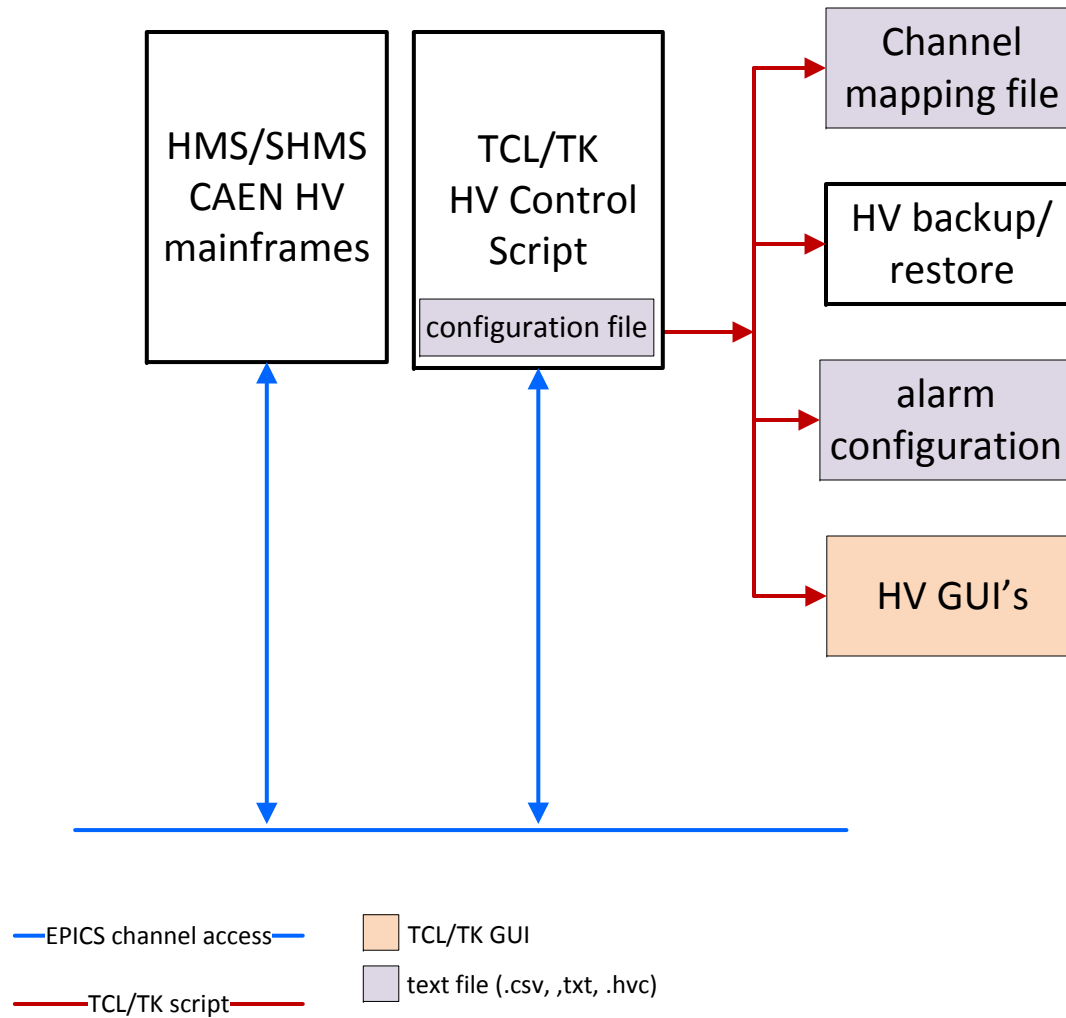
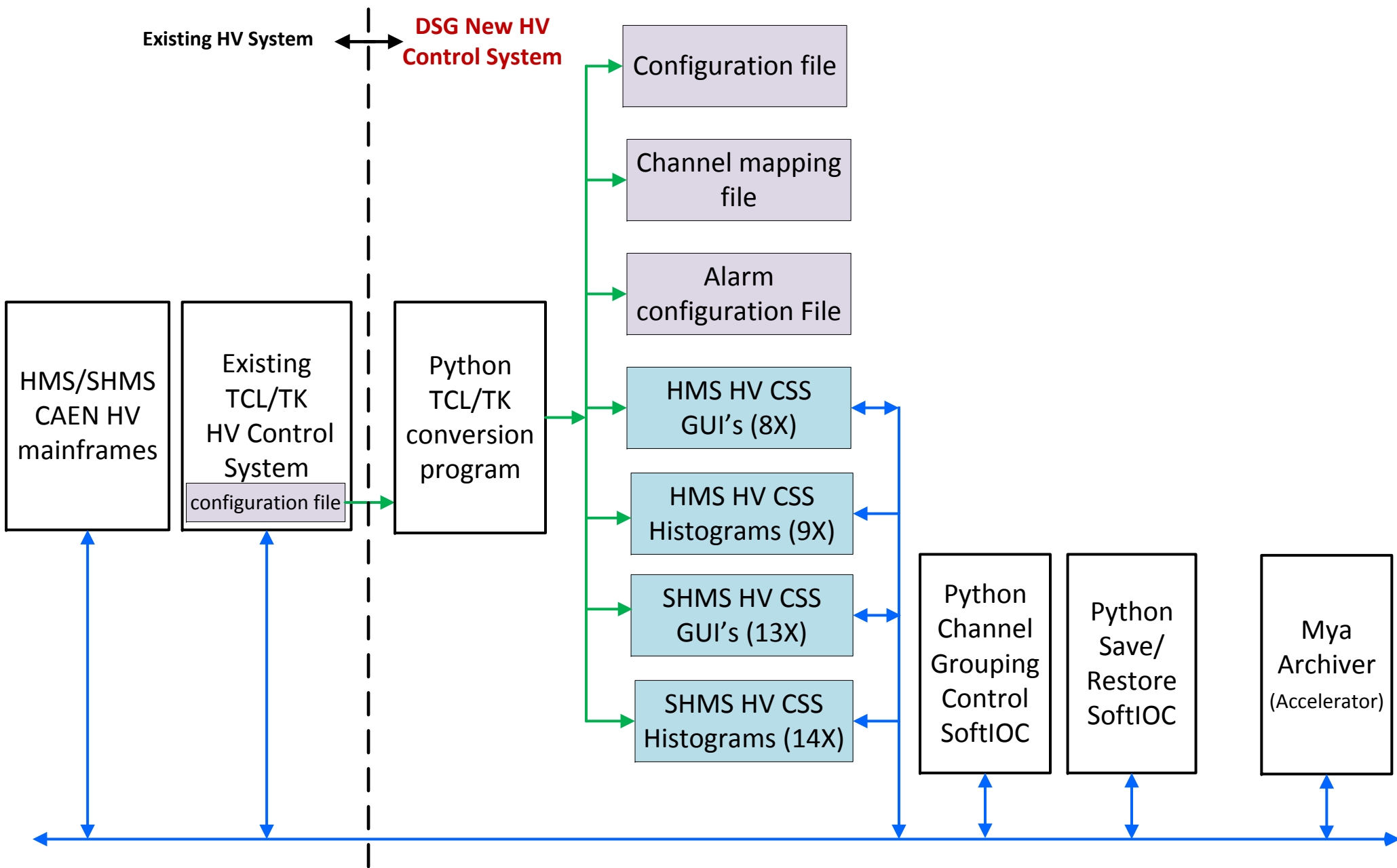


Old HV System



Transition HV System



New HV System

