



Jefferson Lab Alignment Group

Data Transmittal

TO: Dave Kashy, Mike Zarecky

DATE: Jun 29 2005

FROM: Richard Schwartz

Checked:

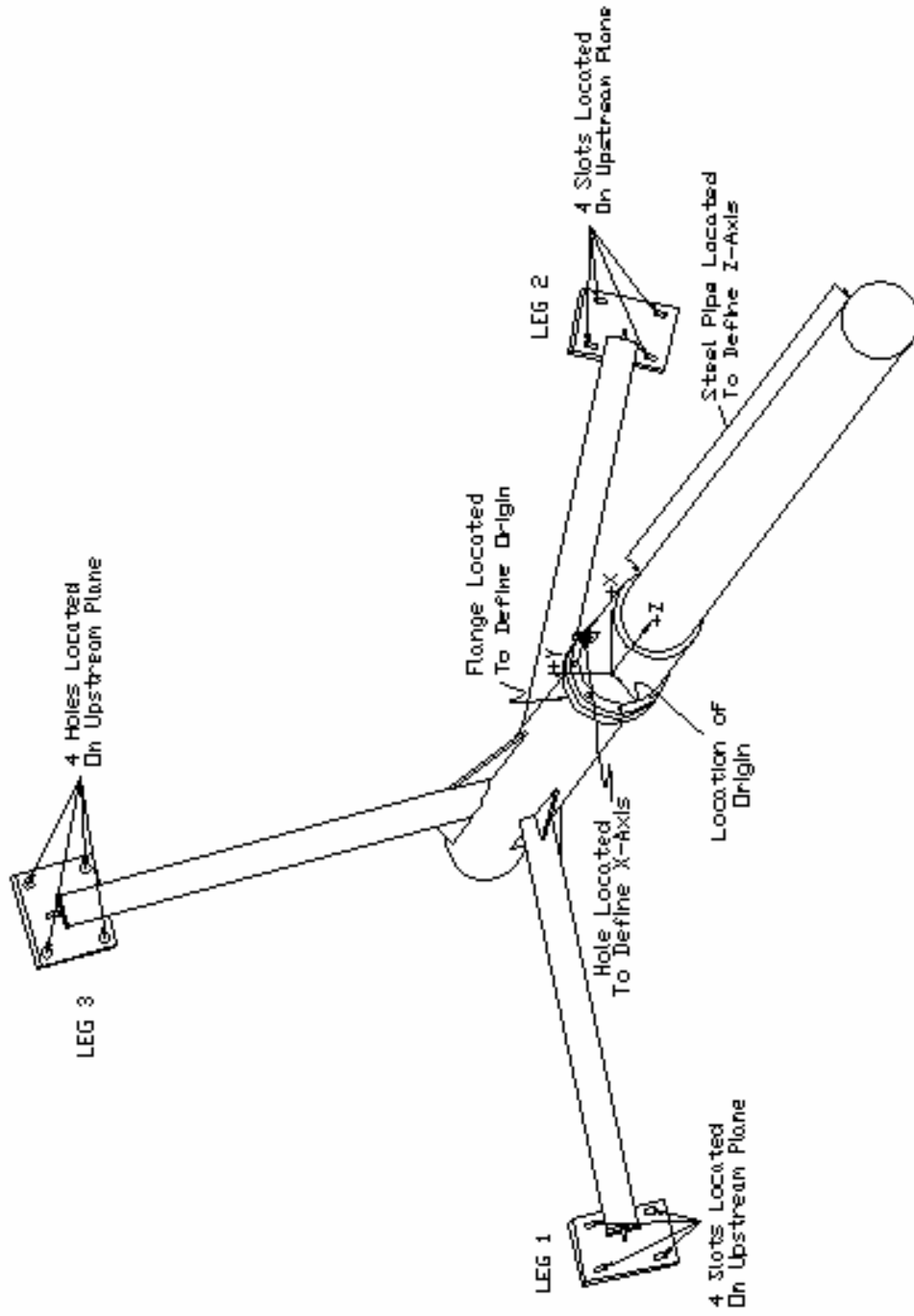
: B1002

DETAILS:

Below are the results of the Hall B Cerenkov lifting fixture bolt hole inspection performed on June 28, 2005. The results below are to the mating surface which attaches to the Cerenkov. Units are in millimeters. Drawing attached.

Hole Location	Z	X	Y	Description
Leg1 A	-225.72	-1179.22	-292.31	Center of slot
Leg1 B	-92.73	-1102.90	-410.34	Center of slot
Leg1 C	-132.80	-996.62	-386.77	Center of slot
Leg1 D	-265.75	-1072.89	-268.77	Center of slot
Leg2 A	7.38	1169.85	-554.14	Center of slot
Leg2 B	-30.49	1063.87	-526.61	Center of slot
Leg2 C	-128.17	1249.06	-443.03	Center of slot
Leg2 D	-166.69	1143.03	-414.98	Center of slot
Leg3 A	-1440.67	77.09	1627.22	Center of hole
Leg3 B	-1443.30	76.35	1538.40	Center of hole
Leg3 C	-1438.26	-126.86	1540.05	Center of hole
Leg3 D	-1435.64	-125.84	1629.03	Center of hole

Cherenkov Lifting Tool Bolt-Hole Locations



Jefferson Lab Survey & Alignment Grp

Drawn By: M.A.G.

Date: 6-29-05

Location: Hall B

Experiment: N/A



J-LAB
SURVEY &
ALIGNMENT GROUP

Sheet 1 of 2