

EXTERIOR MATERIAL LEGEND

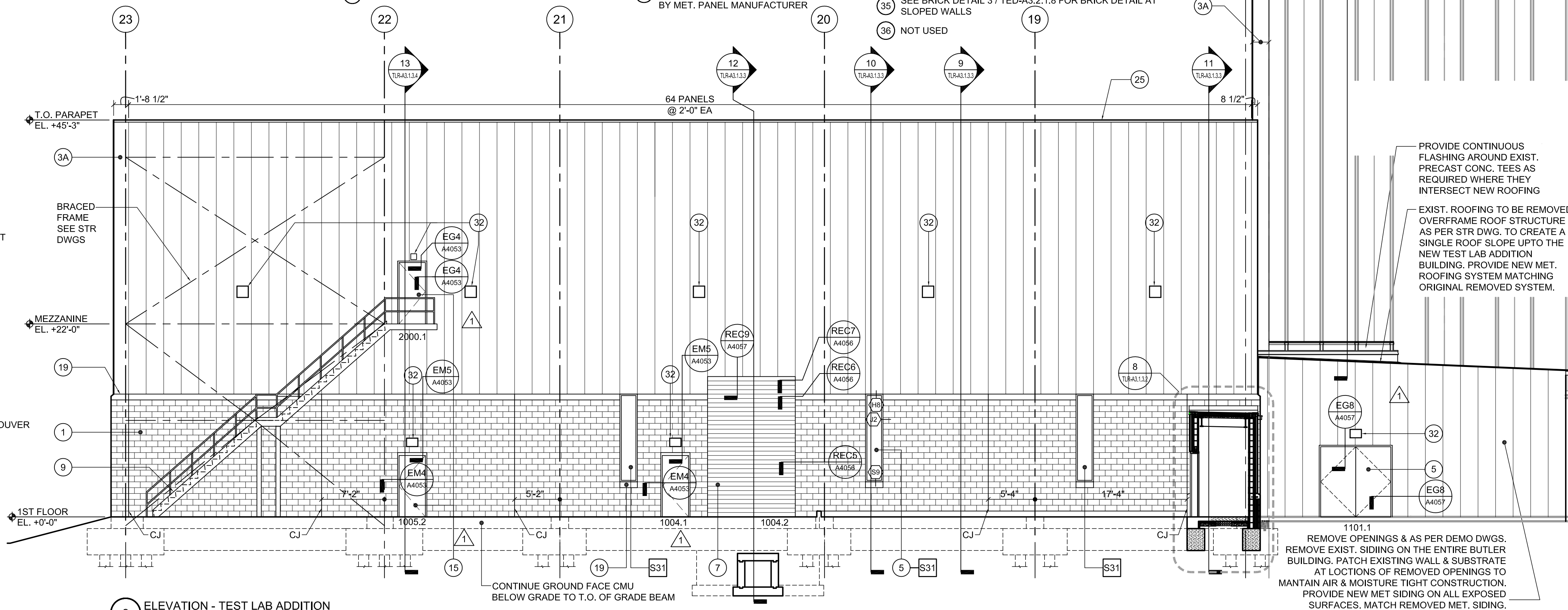
- 1 GROUNDFAÇE CMU
- 2 B O D: CLAYTON ARCHITECTURAL GROUND FAÇE BLOCK; CG-28 CHARCOAL
- 3 ALT: NORTHFIELD BLOCK COMPANY MIDNIGHT GROUNDFAÇE
- 4 BRICK VENEER - TYPE "A"
- 5 B O D: ENDICOTT CLAY PRODUCTS MANGANESE IRONSPOT ARTESIAN MODULAR
- 6 BRICK VENEER - TYPE "B"
- 7 B O D: SIOUX CITY BRICK VINTAGE BROWN VELOUR
- 8 ALT: CAROLINA CERAMICS BRICK CO. BLUE BLACK
- 9 BRICK VENEER - TYPE "C"
- 10 B O D: SIOUX CITY BRICK MOUNTAIN SHADOW SMOOTH
- 11 ALT: ENDICOTT CLAY PRODUCTS MEDIUM IRONSPOT 46 VELOUR
- 12 BRICK VENEER - MATCH EXISTING
- 13 EXISTING BRICK VENEER TO REMAIN CLEAN AND REPOINT AS REQ'D. RECAULK EXPANSION & CONTROL JOINTS
- 14 INSULATED VERTICAL, MULTI-COLORED METAL PANEL W/ HORIZ. JOINT - MICRO RIB
- 15 B O D: KINGSPAN KS SERIES: KS 42
- 16 INSULATED VERTICAL SINGLE LENGTH, SINGLE COLOR METAL PANEL - MICRO RIB
- 17 B O D: KINGSPAN KS SERIES: KS 42
- 18 INSULATED HORIZONTAL METAL PANEL - FLAT
- 19 B O D: KINGSPAN KS SERIES: KS 36
- 20 CURTAINWALL SYSTEM
- 21 ALUMINUM STORE FRONT WINDOW SYSTEM
- 22 NOT USED
- 23 OVERHEAD DOOR
- 24 B O D: COOKSON INSULATED EXT. ROLLING DOOR
- 25 SCREEN WALL (AL GRATING) - ALT # 1 & 2 REFER TO STRU DWGS
- 26 EXTERIOR GALVANIZED STL. STAIR (PTD.)
- 27 HVAC LOUVER. SEE MECH. DWGS.
- 28 B O D: AIROLITE K6776; DRAINABLE BLADE LOUVER

- 11 HVAC EQUIP. SEE MECH. DWGS. SEE 1/A3.6.1 FOR CURB DETAILS
- 12 SKYLIGHT
- 13 FRITTED GLAZING
- 14 1/2" ANNEALED LAMINATED GLASS DISPLAY CASE DOORS AND SIDE LIGHTS - ALT #5
- 15 HOLLOW METAL DOOR & FRAME PAINTED: COLOR TO BE DETERMINED BY ARCHITECT.

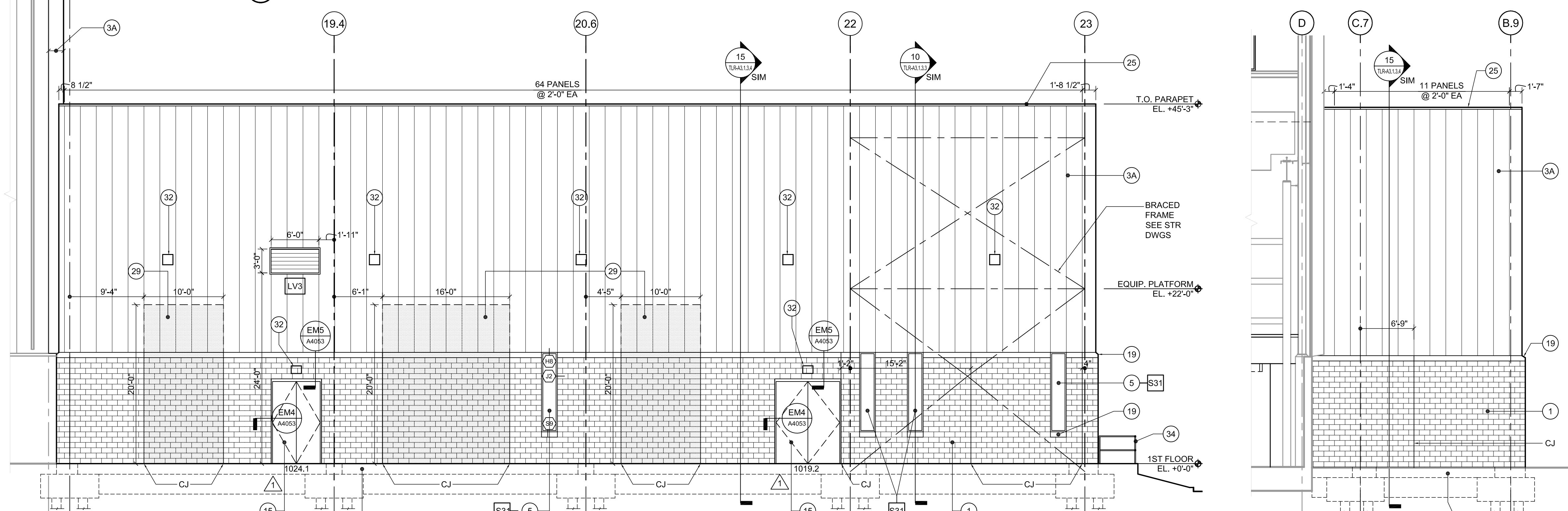
- 16 PREFINISHED GUTTER & DOWNSPOUT 3" X 4" SQUARE. PAINTED: COLOR TO MATCH METAL PANELS
- 17 CONCRETE CURB
- 18 AREA DRAIN
- 19 CAST STONE WATER TABLE / SILL / BASE
- 20 EXPANSION JOINT
- 21 4 1/2" Ø DROP-IN GALV. STEEL BOLLARD (PTD. YELLOW)
- 22 CAST STONE COPING

- 23 WOOD BENCH W/ GALVANIZED MET BRACKETS @ 4'-0" O.C.
- 24 ALUMINUM PLATE CLADDING SYSTEM
- 25 PRE-FINISHED METAL COPING
- 26 EXTERIOR HOLLOW METAL DOOR W/ TRANSOM W/ INSULATED GLAZING
- 27 EXPANSION JOINT
- 28 12" W X 8" H OVERFLOW SCUPPER SHOP FABRICATED 1/2" AL. SHEET BY MET. PANEL MANUFACTURER

- 29 KNOCK OUT WALL
- 30 OVERFLOW DRAIN PIPE DISCHARGE COVER
- 31 PRE-FINISHED MET COPING BY CURTAIN WALL MFR
- 32 EXTERIOR LIGHTING - SEE ELECTRICAL DWGS
- 33 REINF. CONC. FOOTINGS, PILE CAPS & GRADE BEAMS SEE STRU DWGS
- 34 42" HIGH PTD. GALVANIZED STEEL GUARD RAIL SEE CIVIL DWGS
- 35 SEE BRICK DETAIL 3 / TED-A3.2.1.8 FOR BRICK DETAIL AT SLOPED WALLS
- 36 NOT USED



2 ELEVATION - TEST LAB ADDITION
1/8" = 1'-0"



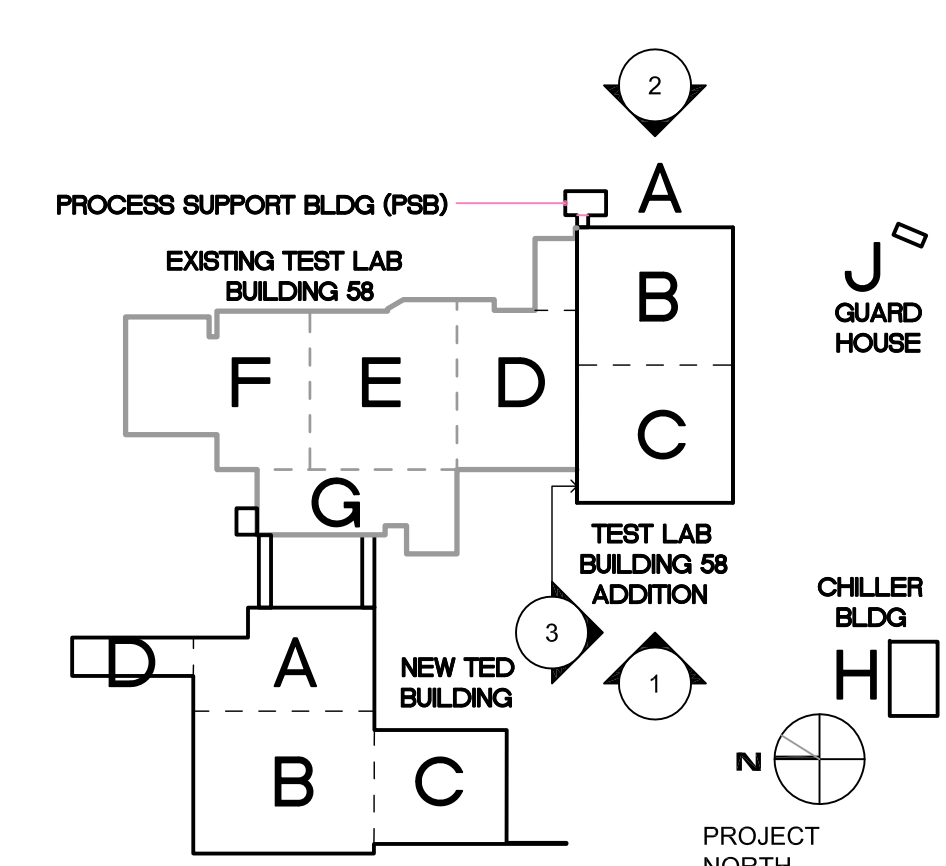
1 ELEVATION - TEST LAB ADDITION
1/8" = 1'-0"

3 ELEVATION - TEST LAB ADDITION
1/8" = 1'-0"

EWING COLE

Federal Reserve Bank Building
100 North 6th Street
Philadelphia, PA 19106-1590
Tel: 215-923-2020 Fax: 215-574-0952

- INSULATED VERTICAL METAL PANEL COLOR 1: CENTRIA 9946 SILVERSMITH
- INSULATED VERTICAL METAL PANEL COLOR 2: CENTRIA 9957 SILVER
- INSULATED VERTICAL METAL PANEL COLOR 3: CENTRIA 9962 XL SILVER GRAY
- INSULATED VERTICAL METAL PANEL COLOR 4: CENTRIA 9960 XL MEDIUM GRAY



TECHNICAL ENGINEERING & DEVELOPMENT FACILITY (TEDF)

12000 JEFFERSON AVENUE, NEWPORT NEWS, VIRGINIA 23606

CCR NO. 15	06/27/11
CONSOLIDATED SET	04/01/11
BULLETIN NO. 30	12/23/10
TEDF TWO - FINAL	05/24/10

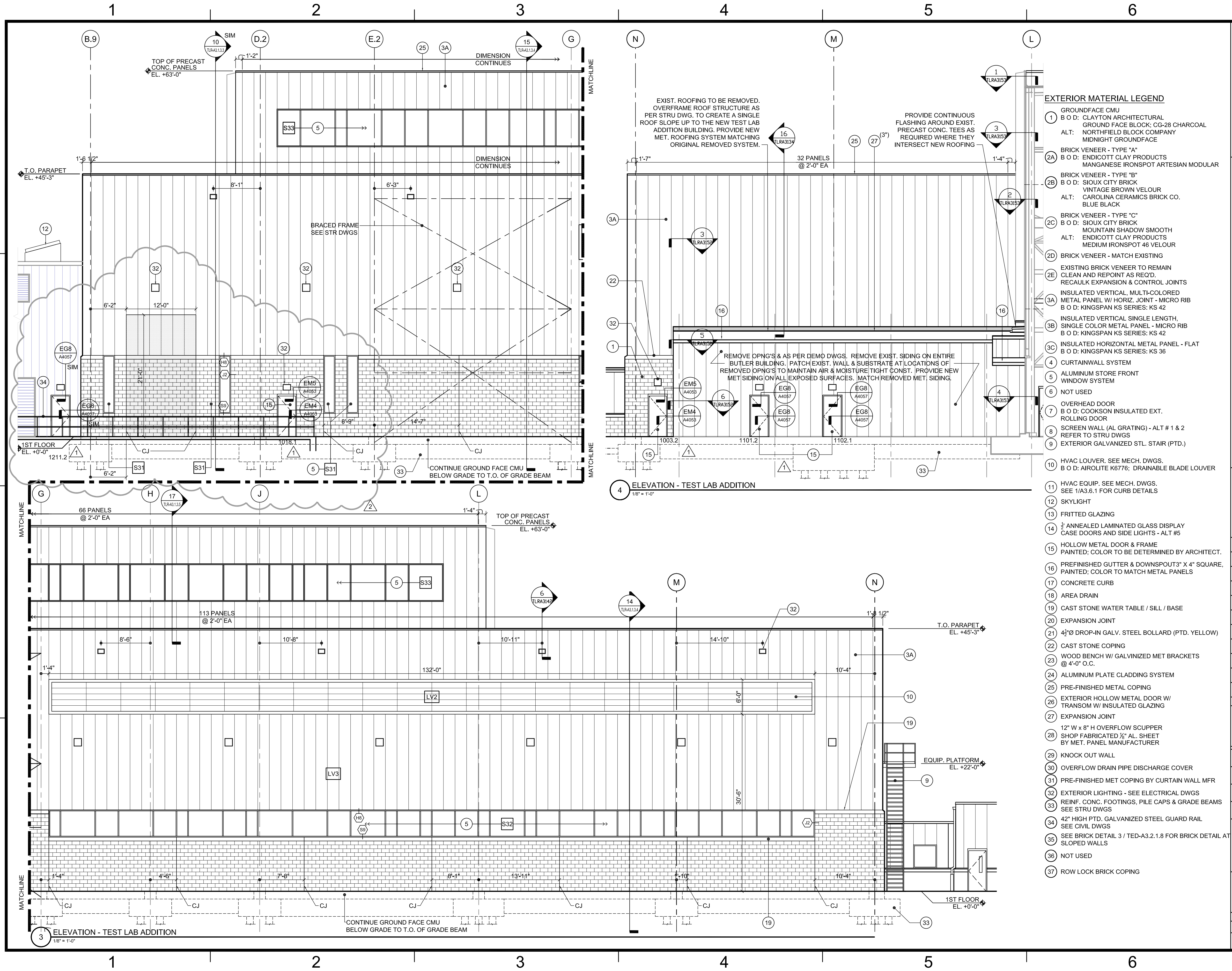
REVISIONS

REV	ZONE	DESCRIPTION	APPR.	DATE



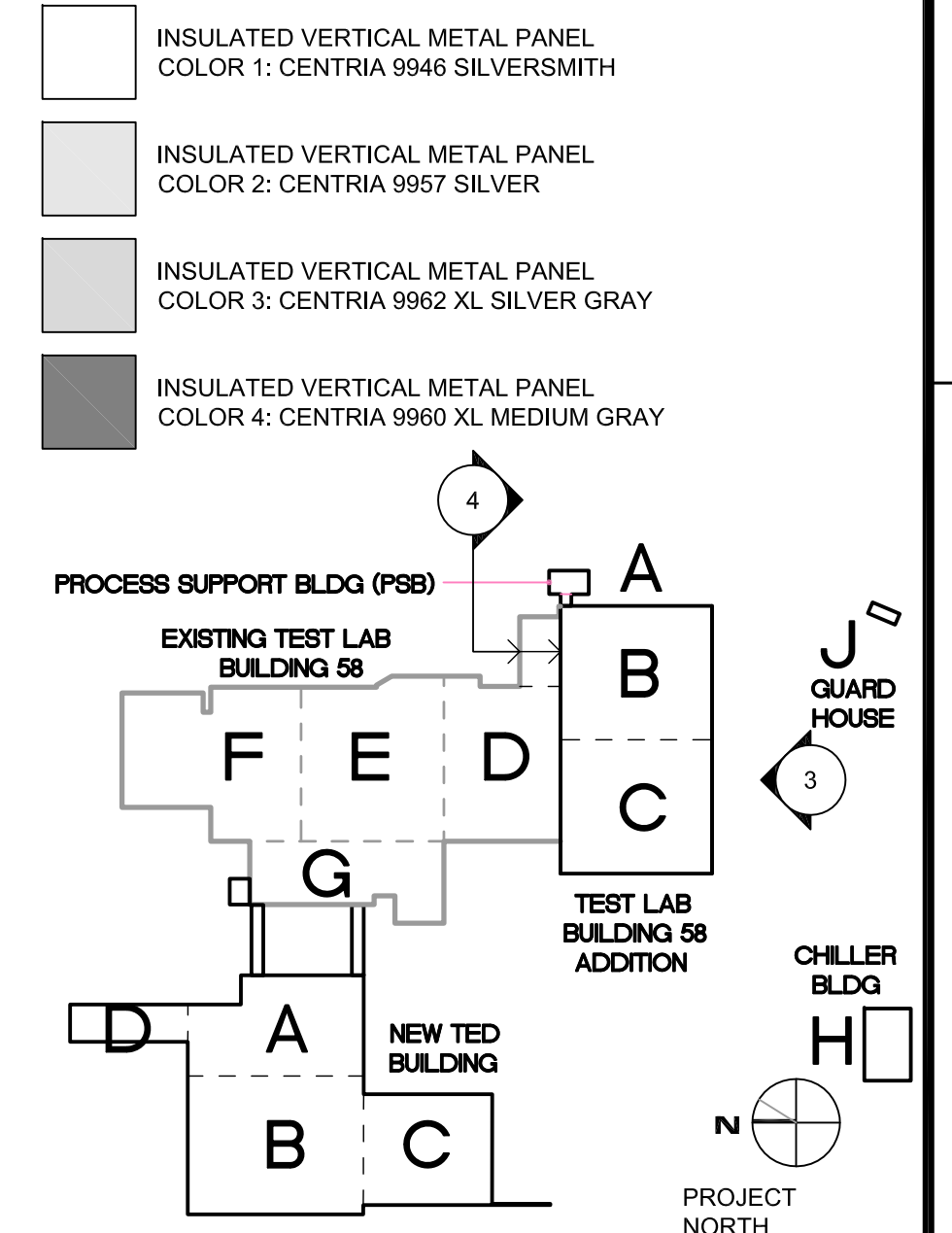
TITLE: TEST LAB RENOVATION - BUILDING 58 ENLARGED EXTERIOR ELEVATIONS

SCALE	DRAWING NUMBER	SHEET	REV
1/8" = 1'-0"	100024-085-A67-STE	TLR-A3.1.1.3	-



EWING COLE

Federal Reserve Bank Building
100 North 6th Street
Philadelphia, PA 19106-1590
Tel: 215-923-2020 Fax: 215-574-0952



TECHNICAL ENGINEERING & DEVELOPMENT FACILITY (TEDF)

12000 JEFFERSON AVENUE, NEWPORT NEWS, VIRGINIA 23606

REV	ZONE	DESCRIPTION	APPR.	DATE
		CCR NO. 15		06/27/11
		BULLETIN NO. 48		06/08/11
		CONSOLIDATED SET		04/01/11
		BULLETIN NO. 30		12/23/10
		TEDF TWO - FINAL		05/24/10

FACILITY USERS		FACILITIES & LOGISTICS	
APPROVED	DATE	DESIGNER	DATE
APPROVED	-	DRAWN	-
APPROVED	-	CHECKED	-
APPROVED	-	APPROVED	-

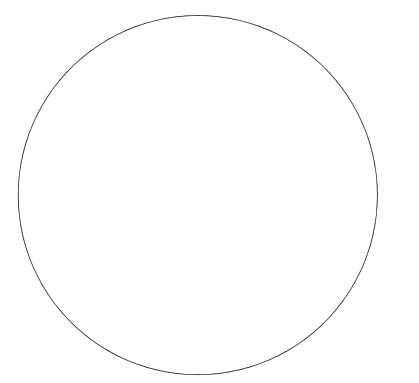
Jefferson Lab

TITLE:
**TEST LAB RENOVATION - BUILDING 58
ENLARGED EXTERIOR ELEVATIONS**

SCALE	DRAWING NUMBER	SHEET	REV
1/8" = 1'-0"	100024-086-A68-STE	TLR-A3.1.1.4	-

EXTERIOR MATERIAL LEGEND

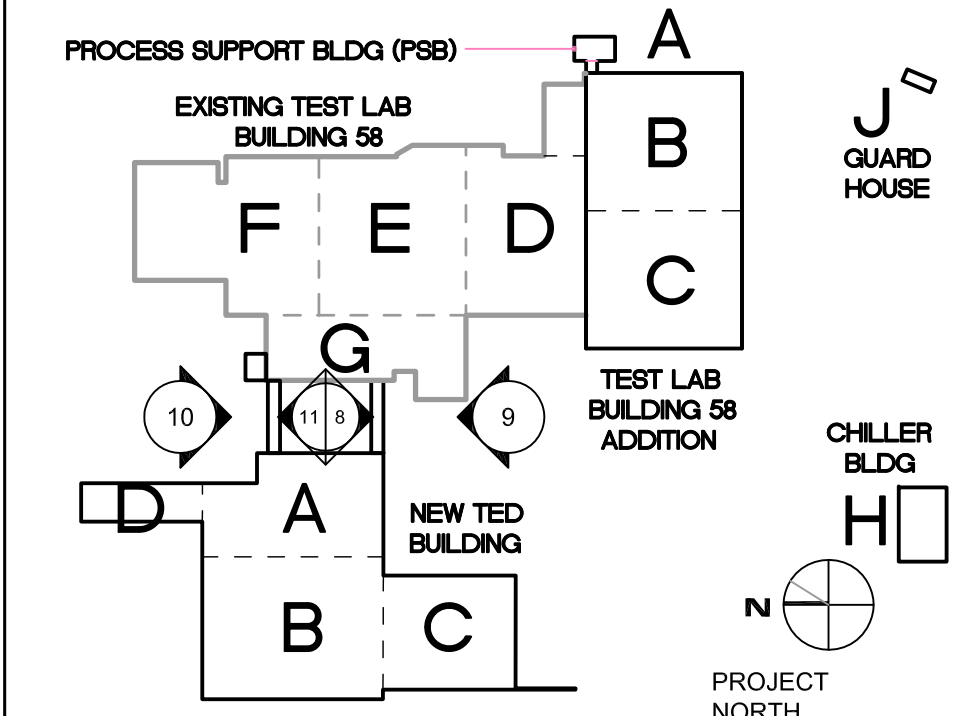
- 1 GROUNDFAÇE CMU
- 2 B O D: CLAYTON ARCHITECTURAL GROUND FACE BLOCK; CG-28 CHARCOAL
- 3 ALT: NORTHFIELD BLOCK COMPANY MIDNIGHT GROUNDFAÇE
- 4 BRICK VENEER - TYPE "A"
- 5 B O D: ENDICOTT CLAY PRODUCTS MANGANESE IRONSPOT ARTESIAN MODULAR
- 6 BRICK VENEER - TYPE "B"
- 7 B O D: SIOUX CITY BRICK VINTAGE BROWN VELOUR
- 8 ALT: CAROLINA CERAMICS BRICK CO. BLUE BLACK
- 9 BRICK VENEER - TYPE "C"
- 10 B O D: SIOUX CITY BRICK MOUNTAIN SHADOW SMOOTH
- 11 ALT: ENDICOTT CLAY PRODUCTS MEDIUM IRONSPOT 46 VELOUR
- 12 BRICK VENEER - MATCH EXISTING
- 13 EXISTING BRICK VENEER TO REMAIN CLEAN AND REPOINT AS REQD.
- 14 RECAULK EXPANSION & CONTROL JOINTS
- 15 INSULATED VERTICAL, MULTI-COLORED METAL PANEL W/ HORIZ. JOINT - MICRO RIB
- 16 B O D: KINGSPAN KS SERIES: KS 42
- 17 INSULATED VERTICAL SINGLE LENGTH, SINGLE COLOR METAL PANEL - MICRO RIB
- 18 B O D: KINGSPAN KS SERIES: KS 42
- 19 INSULATED HORIZONTAL METAL PANEL - FLAT
- 20 B O D: KINGSPAN KS SERIES: KS 36
- 21 CURTAINWALL SYSTEM
- 22 ALUMINUM STORE FRONT WINDOW SYSTEM
- 23 NOT USED
- 24 OVERHEAD DOOR
- 25 B O D: COOKSON INSULATED EXT. ROLLING DOOR
- 26 SCREEN WALL (AL GRATING) - ALT # 1 & 2
- 27 REFER TO STRU DWGS
- 28 EXTERIOR GALVANIZED STL. STAIR (PTD.)
- 29 HVAC LOUVER. SEE MECH. DWGS.
- 30 B O D: AIROLITE K6776; DRAINABLE BLADE LOUVER
- 31 HVAC EQUIP. SEE MECH. DWGS. SEE 1/A3.6.1 FOR CURB DETAILS
- 32 SKYLIGHT
- 33 FRITTED GLAZING
- 34 1/2" ANNEALED LAMINATED GLASS DISPLAY CASE DOORS AND SIDE LIGHTS - ALT #5
- 35 HOLLOW METAL DOOR & FRAME PAINTED; COLOR TO BE DETERMINED BY ARCHITECT.
- 36 PREFINISHED GUTTER & DOWNSPOUT 3" X 4" SQUARE. PAINTED; COLOR TO MATCH METAL PANELS
- 37 CONCRETE CURB
- 38 AREA DRAIN
- 39 CAST STONE WATER TABLE / SILL / BASE
- 40 EXPANSION JOINT
- 41 4 1/2" DROP-IN GALV. STEEL BOLLARD (PTD. YELLOW)
- 42 CAST STONE COPING
- 43 WOOD BENCH W/ GALVANIZED MET BRACKETS @ 4'-0" O.C.
- 44 ALUMINUM PLATE CLADDING SYSTEM
- 45 PRE-FINISHED METAL COPING
- 46 EXTERIOR HOLLOW METAL DOOR W/ TRANSOM W/ INSULATED GLAZING
- 47 EXPANSION JOINT
- 48 12" W x 8" H OVERFLOW SCUPPER SHOP FABRICATED 1/2" AL. SHEET BY MET. PANEL MANUFACTURER
- 49 KNOCK OUT WALL
- 50 OVERFLOW DRAIN PIPE DISCHARGE COVER
- 51 PRE-FINISHED MET COPING BY CURTAIN WALL MFR
- 52 EXTERIOR LIGHTING - SEE ELECTRICAL DWGS
- 53 REINF. CONC. FOOTINGS, PILE CAPS & GRADE BEAMS SEE STRU DWGS
- 54 42" HIGH PTD. GALVANIZED STEEL GUARD RAIL SEE CIVIL DWGS
- 55 SEE BRICK DETAIL 3 / TED-A3.2.1.8 FOR BRICK DETAIL AT SLOPED WALLS
- 56 NOT USED
- 57 ROW LOCK BRICK COPING



EXTERIOR MATERIAL LEGEND

- GROUNDFACE CMU
- 1 B O D: CLAYTON ARCHITECTURAL
GROUND FACE BLOCK; CG-28 CHARCOAL
ALT: NORTHFIELD BLOCK COMPANY
MIDNIGHT GROUNDFACE
- 2A BRICK VENEER - TYPE "A"
B O D: ENDICOTT CLAY PRODUCTS
MANGANESE IRONSPOT ARTESIAN MODULAR
- 2B BRICK VENEER - TYPE "B"
B O D: SIOUX CITY BRICK
VINTAGE BROWN VELOUR
ALT: CAROLINA CERAMICS BRICK CO.
BLUE BLACK
- 2C BRICK VENEER - TYPE "C"
B O D: SIOUX CITY BRICK
MOUNTAIN SHADOW SMOOTH
ALT: ENDICOTT CLAY PRODUCTS
MEDIUM IRONSPOT 46 VELOUR
- 2D BRICK VENEER - MATCH EXISTING
- 2E EXISTING BRICK VENEER TO REMAIN
CLEAN AND REPOINT AS REQ'D.
RECAULK EXPANSION & CONTROL JOINTS
- 3A INSULATED VERTICAL, MULTI-COLORED
METAL PANEL W/ HORIZ. JOINT - MICRO RIB
B O D: KINGSPAN KS SERIES: KS 42
- 3B INSULATED VERTICAL SINGLE LENGTH,
SINGLE COLOR METAL PANEL - MICRO RIB
B O D: KINGSPAN KS SERIES: KS 42
- 3C INSULATED HORIZONTAL METAL PANEL - FLAT
B O D: KINGSPAN KS SERIES: KS 36
- 4 CURTAINWALL SYSTEM
- 5 ALUMINUM STORE FRONT
WINDOW SYSTEM
- 6 NOT USED
- 7 OVERHEAD DOOR
B O D: COOKSON INSULATED EXT.
ROLLING DOOR
- 8 SCREEN WALL (AL GRATING) - ALT # 1 & 2
REFER TO STRU DWGS
- 9 EXTERIOR GALVANIZED STL. STAIR (PTD.)
- 10 HVAC LOUVER. SEE MECH. DWGS.
B O D: AIROLITE K6776; DRAINABLE BLADE LOUVER
- 11 HVAC EQUIP. SEE MECH. DWGS.
SEE 1/A3.6.1 FOR CURB DETAILS
- 12 SKYLIGHT
- 13 FRITTED GLAZING
- 14 1/2 ANNEALED LAMINATED GLASS DISPLAY
CASE DOORS AND SIDE LIGHTS - ALT #5
- 15 HOLLOW METAL DOOR & FRAME
PAINTED; COLOR TO BE DETERMINED BY ARCHITECT.
- 16 PREFINISHED GUTTER & DOWNSPOUT 3" X 4" SQUARE,
PAINTED; COLOR TO MATCH METAL PANELS
- 17 CONCRETE CURB
- 18 AREA DRAIN
- 19 CAST STONE WATER TABLE / SILL / BASE
- 20 EXPANSION JOINT
- 21 4 1/2" Ø DROP-IN GALV. STEEL BOLLARD (PTD. YELLOW)
- 22 CAST STONE COPING
- 23 WOOD BENCH W/ GALVANIZED MET BRACKETS
@ 4'-0" O.C.
- 24 ALUMINUM PLATE CLADDING SYSTEM
- 25 PRE-FINISHED METAL COPING
- 26 EXTERIOR HOLLOW METAL DOOR W/
TRANSOM W/ INSULATED GLAZING
- 27 EXPANSION JOINT
- 28 12" x 8" H OVERFLOW SCUPPER
SHOP FABRICATED 1/2" AL SHEET
BY MET. PANEL MANUFACTURER
- 29 KNOCK OUT WALL
- 30 OVERFLOW DRAIN PIPE DISCHARGE COVER
- 31 PRE-FINISHED MET COPING BY CURTAIN WALL MFR
- 32 EXTERIOR LIGHTING - SEE ELECTRICAL DWGS
- 33 REINF. CONC. FOOTINGS, PILE CAPS & GRADE BEAMS
SEE STRU DWGS
- 34 42" HIGH PTD. GALVANIZED STEEL GUARD RAIL
SEE CIVIL DWGS
- 35 SEE BRICK DETAIL 3 / TED-A3.2.1.8 FOR BRICK DETAIL AT
SLOPED WALLS
- 36 NOT USED
- 37 ROW LOCK BRICK COPING

- INSULATED VERTICAL METAL PANEL
COLOR 1: CENTRIA 9946 SILVERSMITH
- INSULATED VERTICAL METAL PANEL
COLOR 2: CENTRIA 9957 SILVER
- INSULATED VERTICAL METAL PANEL
COLOR 3: CENTRIA 9962 XL SILVER GRAY
- INSULATED VERTICAL METAL PANEL
COLOR 4: CENTRIA 9960 XL MEDIUM GRAY



TECHNICAL ENGINEERING & DEVELOPMENT FACILITY (TEDF)

12000 JEFFERSON AVENUE, NEWPORT NEWS, VIRGINIA 23606

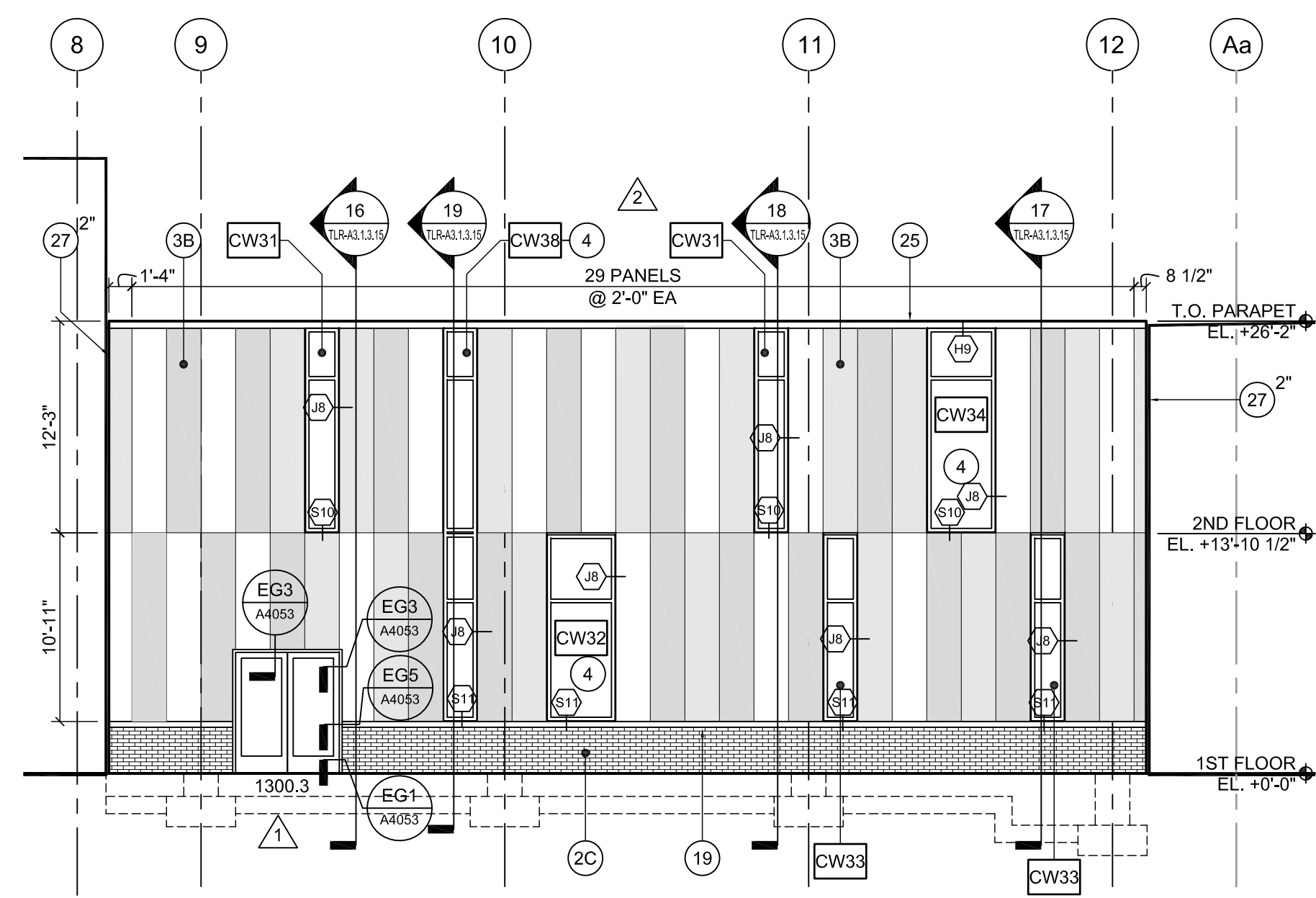
REV	ZONE	DESCRIPTION	APPR.	DATE
		CCR NO. 15		06/27/11
		CONSOLIDATED SET		04/01/11
		BULLETIN NO. 38		03/15/11
		BULLETIN NO. 30		12/23/10
		TEDF TWO - FINAL		05/24/10

REVISIONS			
FACILITY USERS		FACILITIES & LOGISTICS	
APPROVED	DATE	DESIGNER	DATE
-	-	-	-
APPROVED	-	DRAWN	-
APPROVED	-	CHECKED	-
APPROVED	-	APPROVED	-

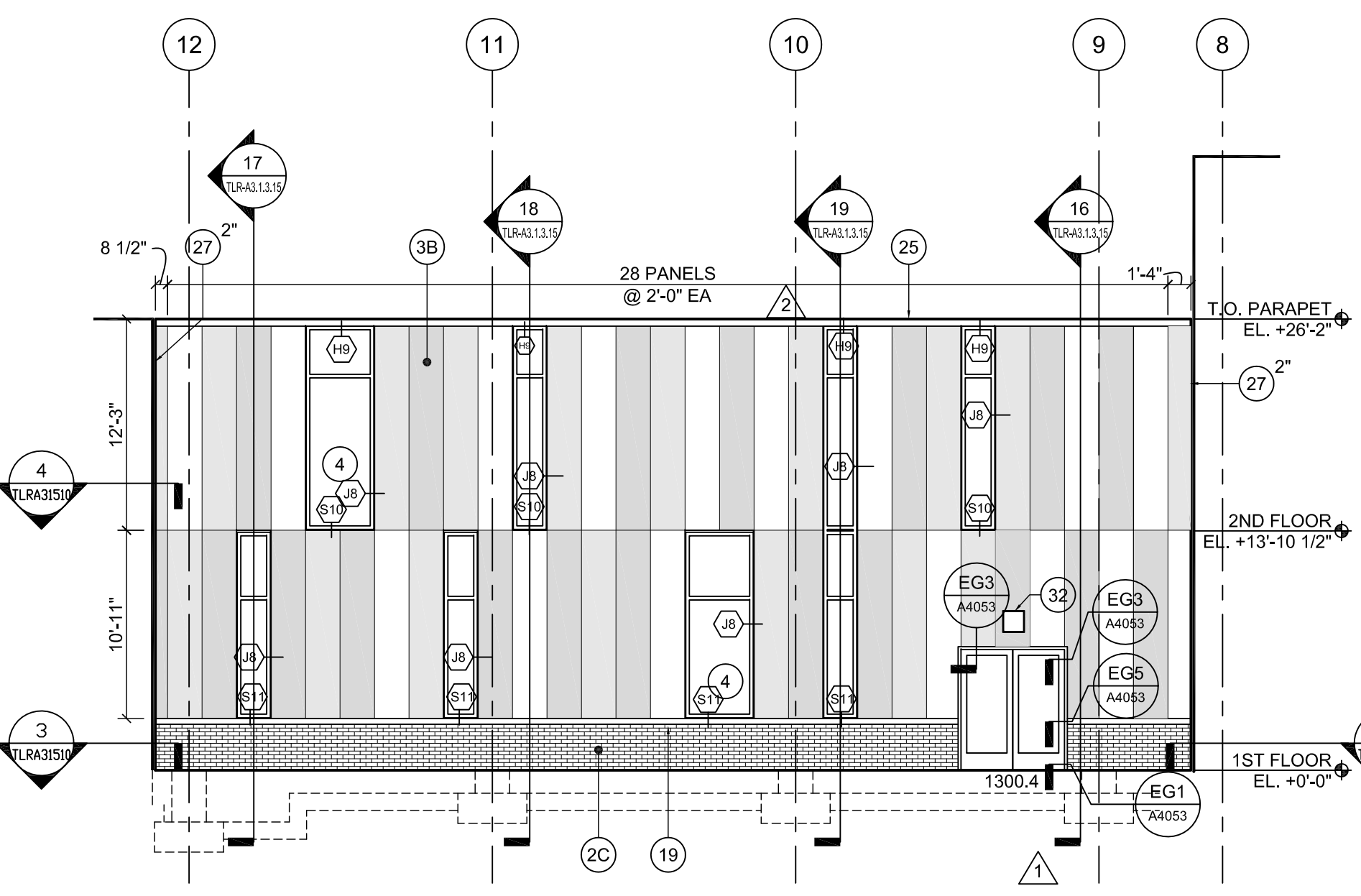


TITLE:
**TEST LAB RENOVATION - PEDESTRIAN LINKS
ENLARGED EXTERIOR ELEVATIONS**

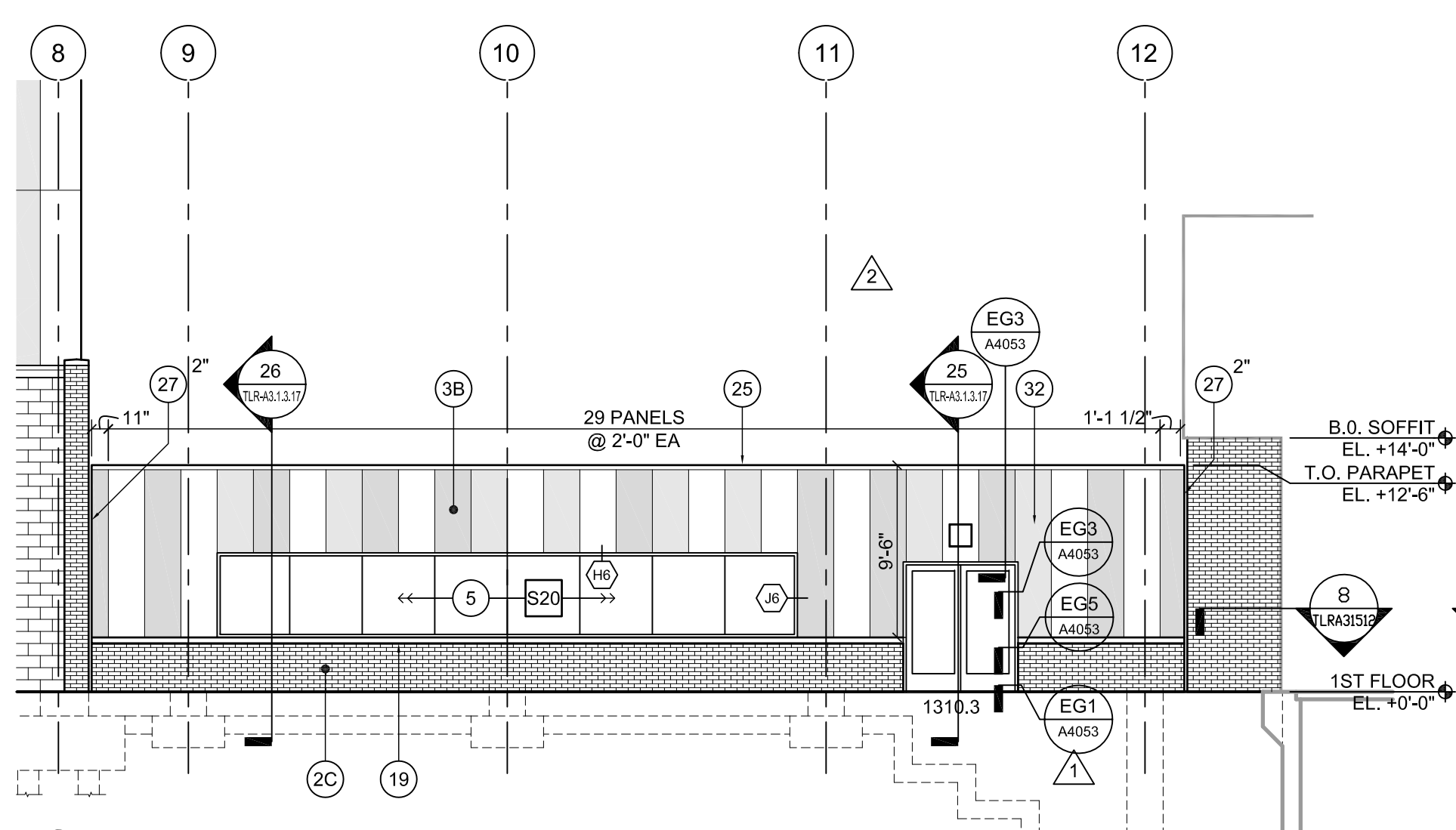
SCALE	DRAWING NUMBER	SHEET	REV
1/8" = 1'-0"	100024-088A-A70A-STE	TLR-A3.1.1.7	-



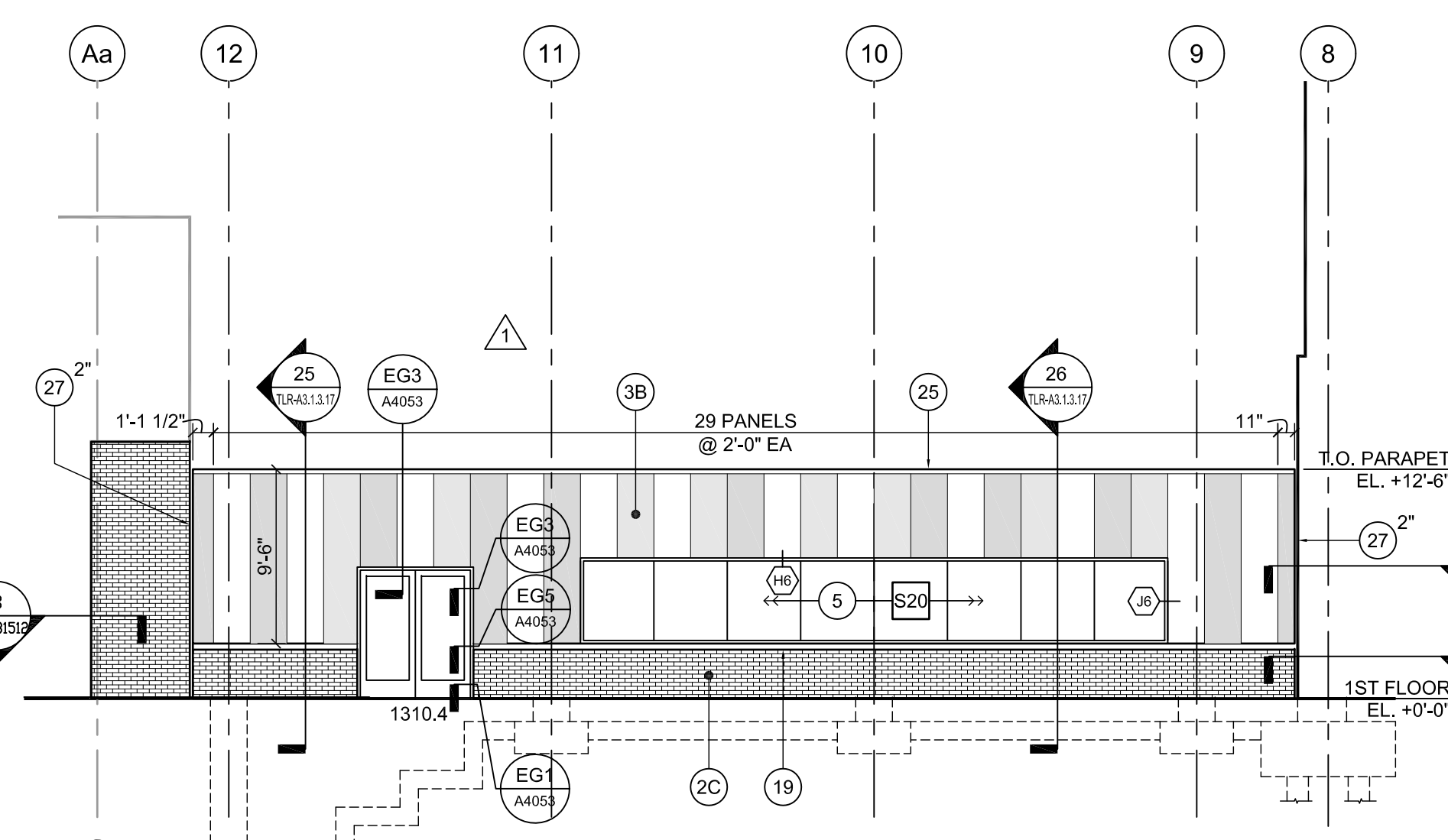
11 ELEVATION - NEW PEDESTRIAN LINK
1/8" = 1'-0"



10 ELEVATION - TEST LAB SUPPORT AREA & NEW PEDESTRIAN LINK
1/8" = 1'-0"



9 ELEVATION - NEW PEDESTRIAN LINK
1/8" = 1'-0"



8 ELEVATION - NEW PEDESTRIAN LINK
1/8" = 1'-0"

TECHNICAL ENGINEERING & DEVELOPMENT FACILITY (TEDF)

12000 JEFFERSON AVENUE, NEWPORT NEWS, VIRGINIA 23606

CCR NO. 15	06/27/11
CONSOLIDATED SET	04/01/11
BULLETIN NO. 42	03/31/11
TEDF TWO - FINAL	05/24/10

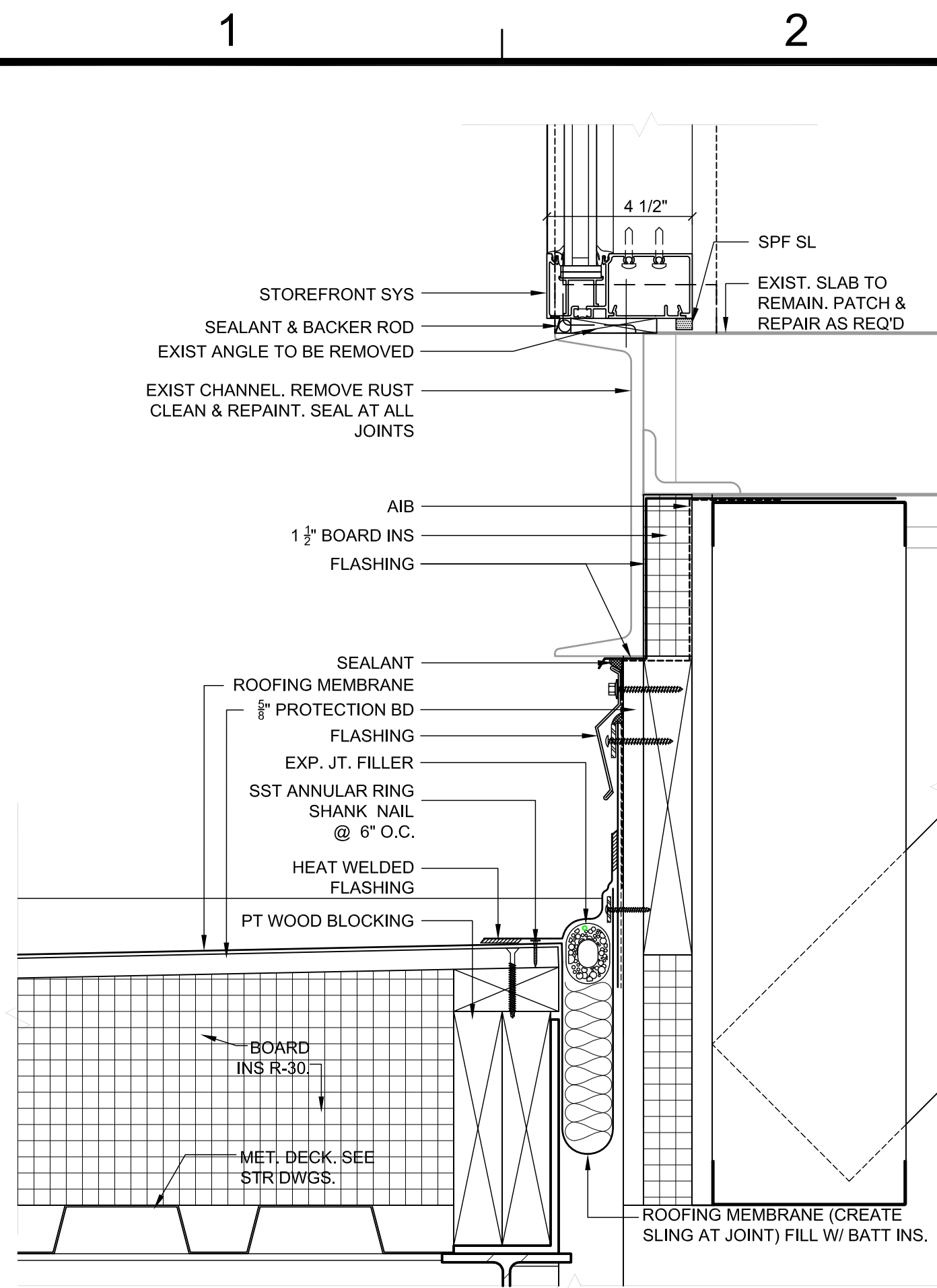
REV	ZONE	DESCRIPTION	APPR.	DATE
REVISIONS				

FACILITY USERS		FACILITIES & LOGISTICS	
APPROVED	DATE	DESIGNER	DATE
APPROVED	-	DRAWN	-
APPROVED	-	CHECKED	-
APPROVED	-	APPROVED	-

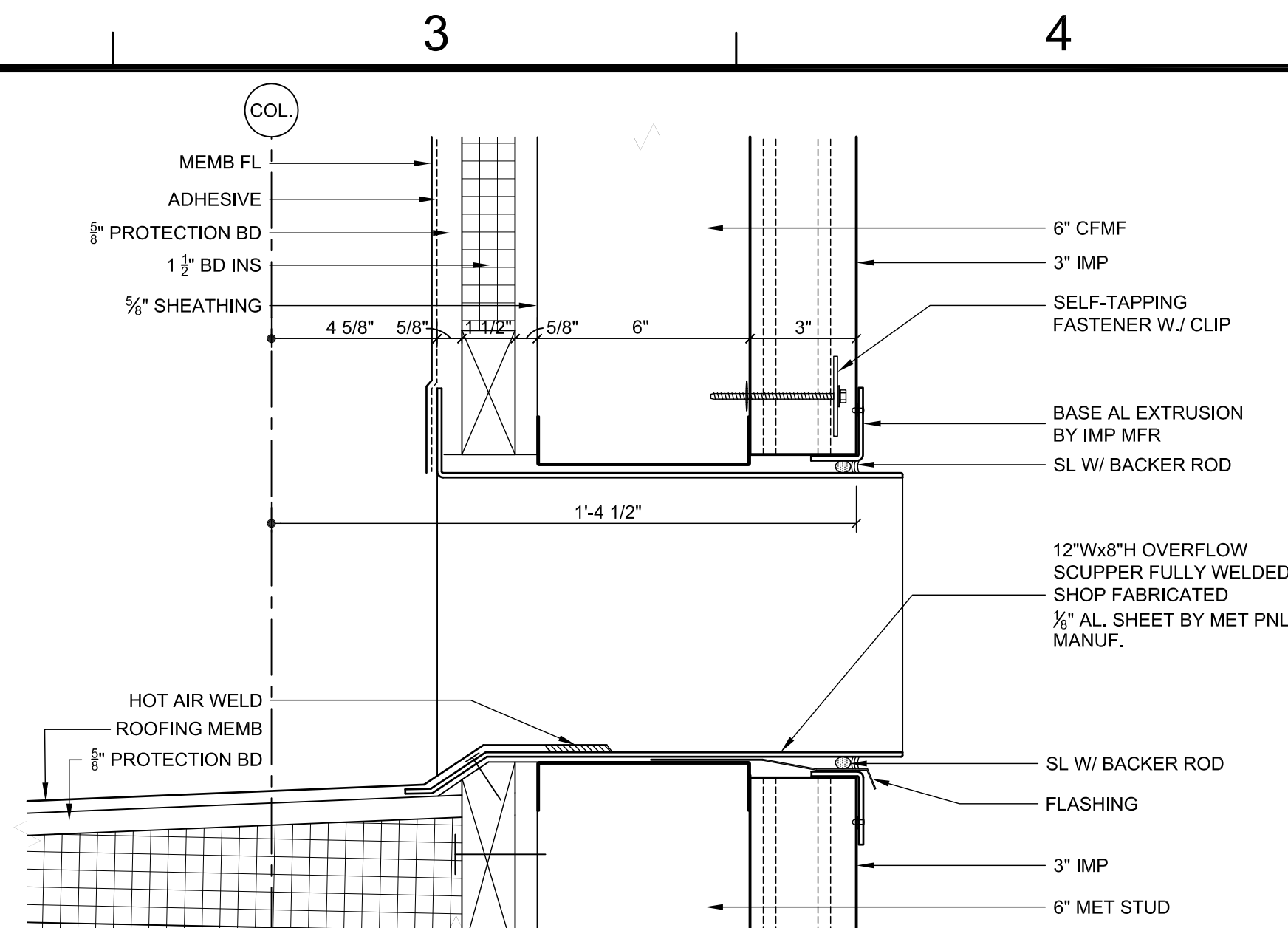
Jefferson Lab

TITLE: **TEST LAB RENOVATION - PSB WALL SECTION DETAILS**

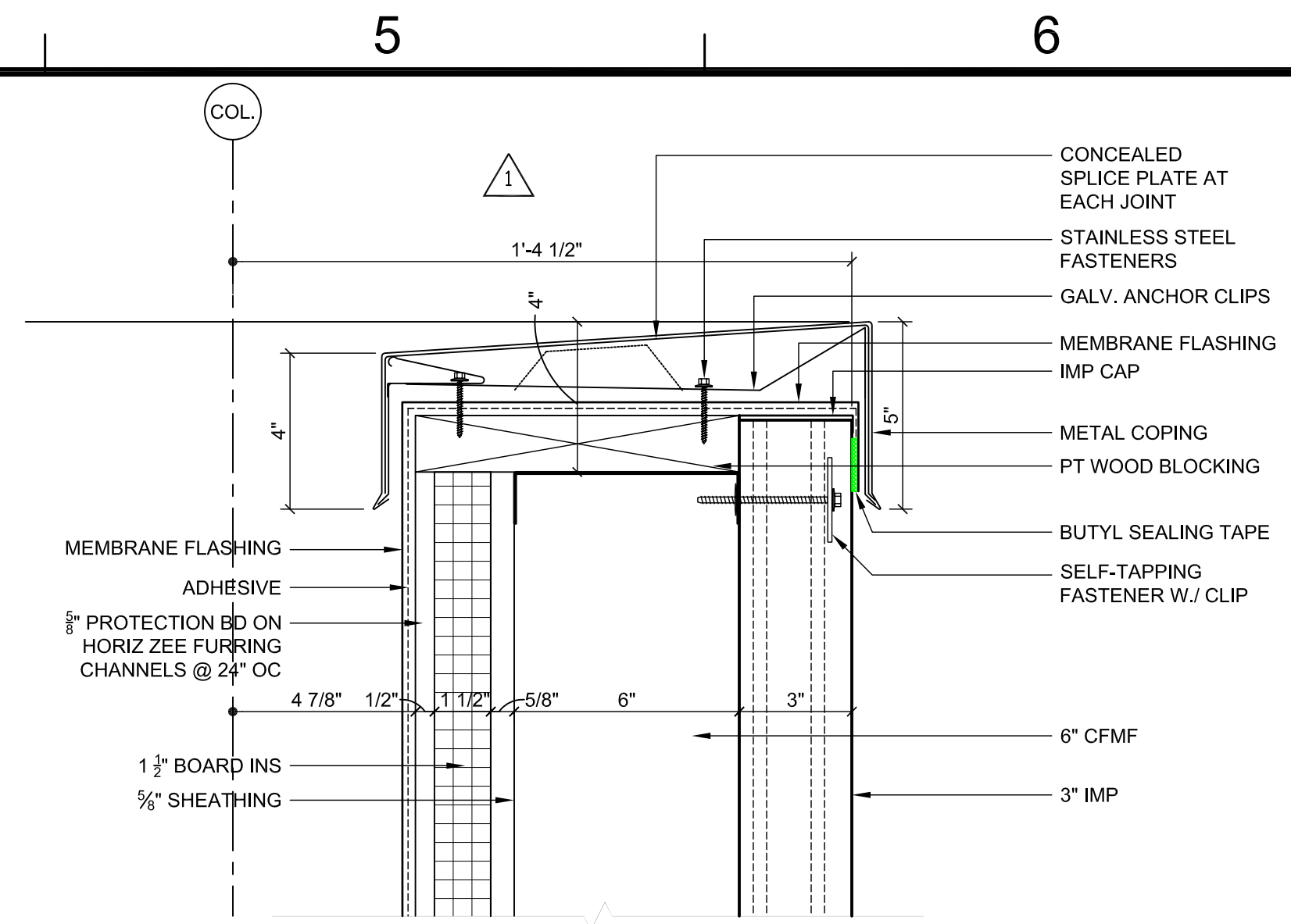
SCALE	DRAWING NUMBER	SHEET	REV
1 1/2" = 1'-0"	100024-126-A108-STE	TLR-A3.1.4.2	-



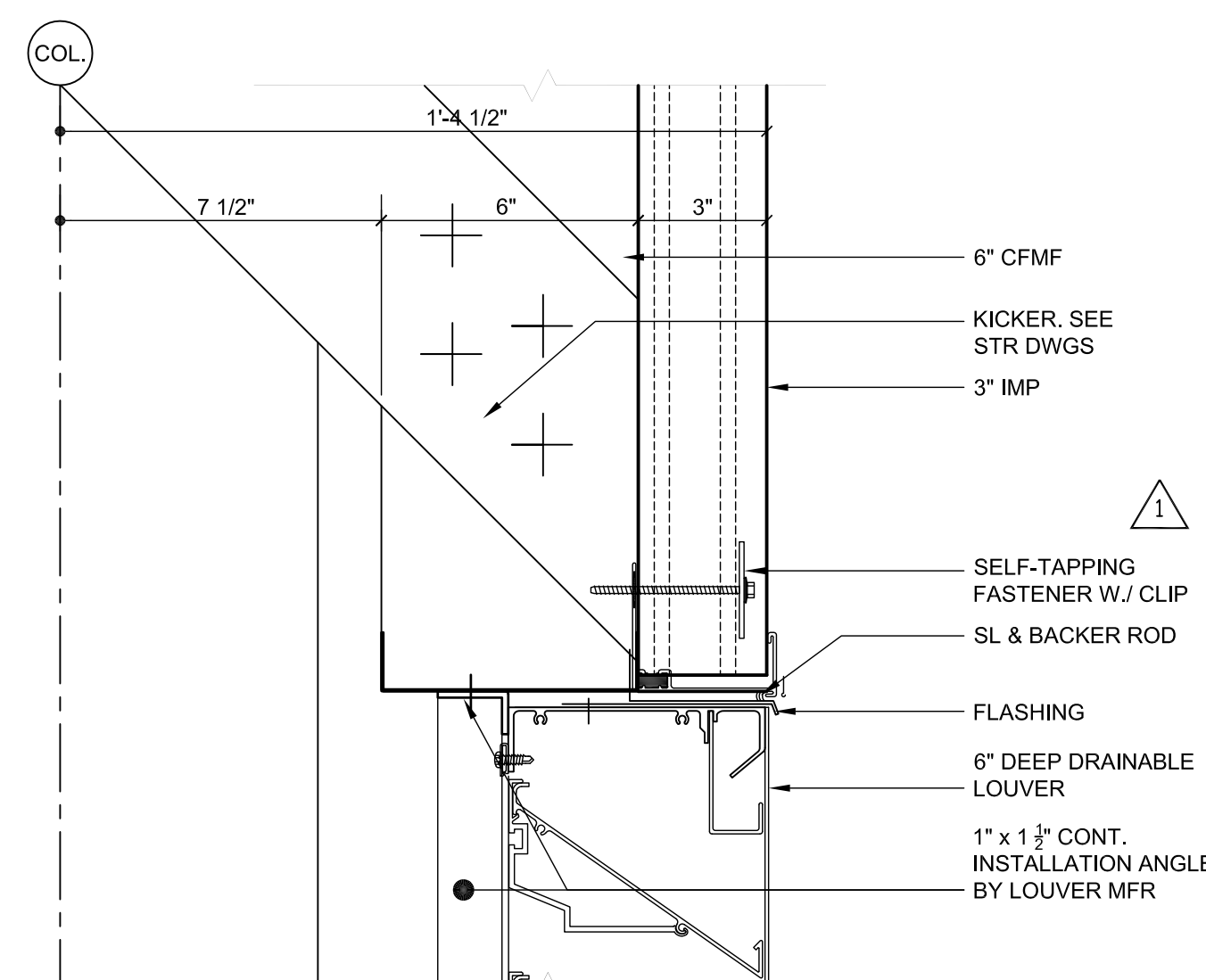
8 SECTION DETAIL
3' = 1'-0"



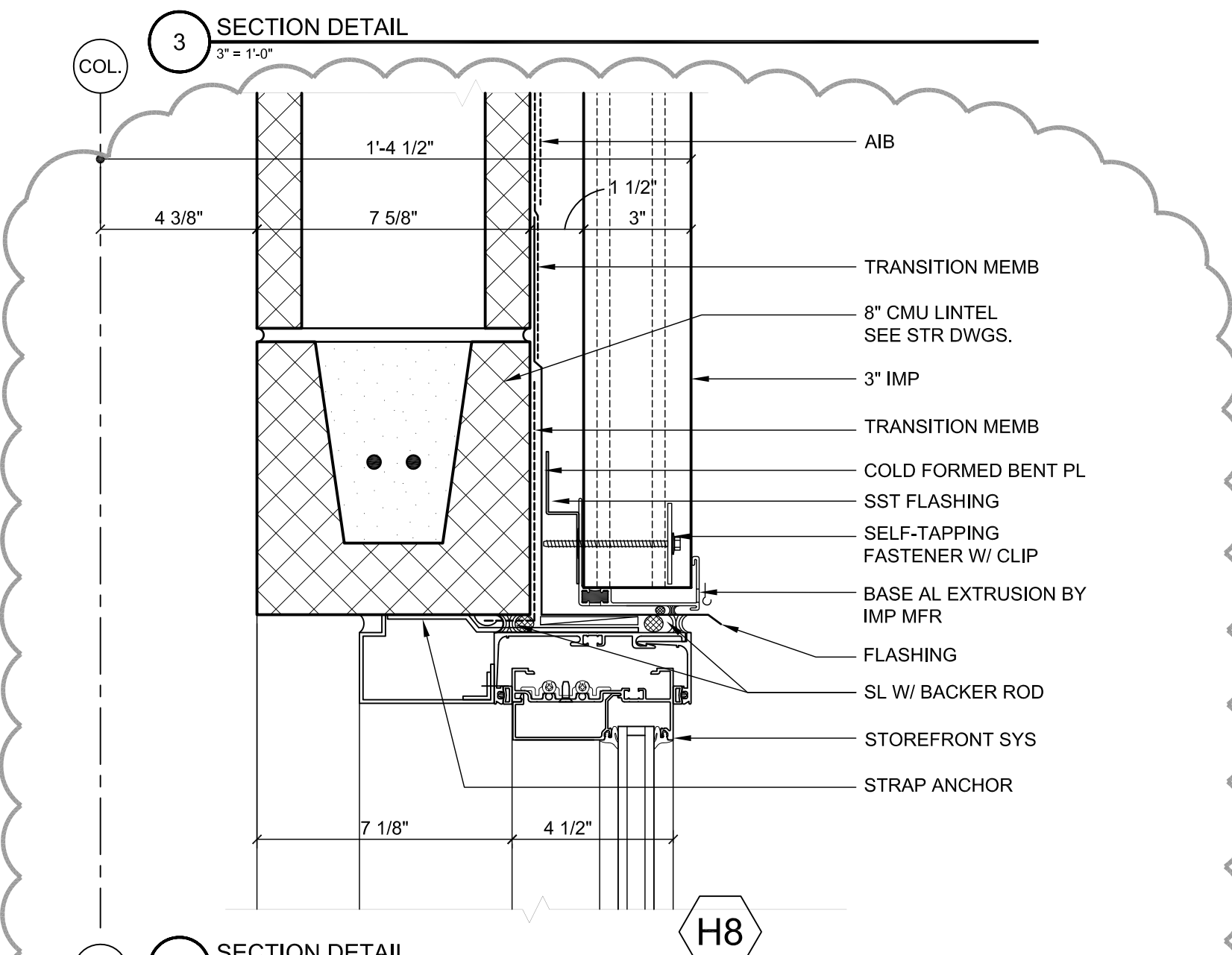
6 SECTION DETAIL
3' = 1'-0"



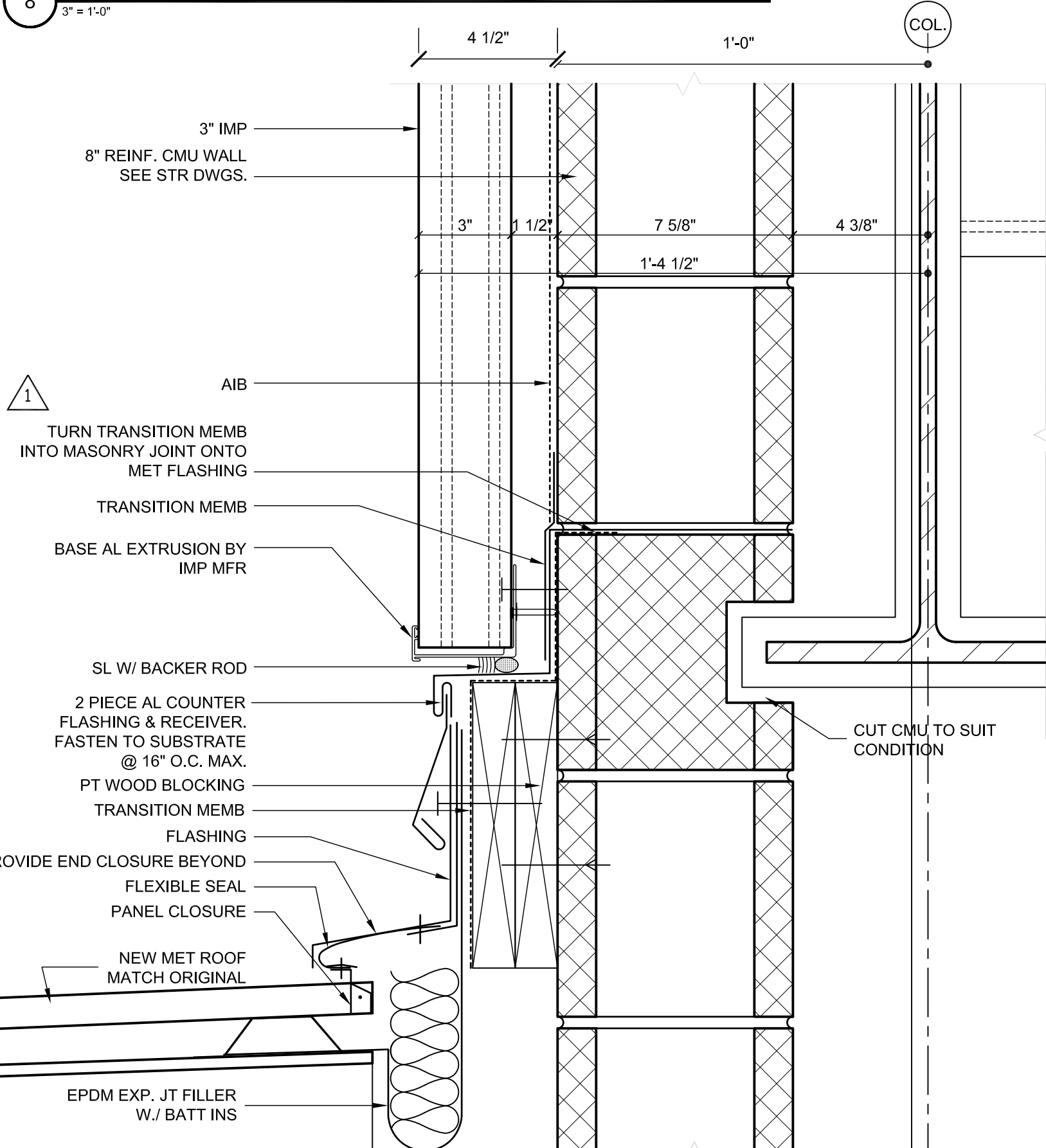
3 SECTION DETAIL
3' = 1'-0"



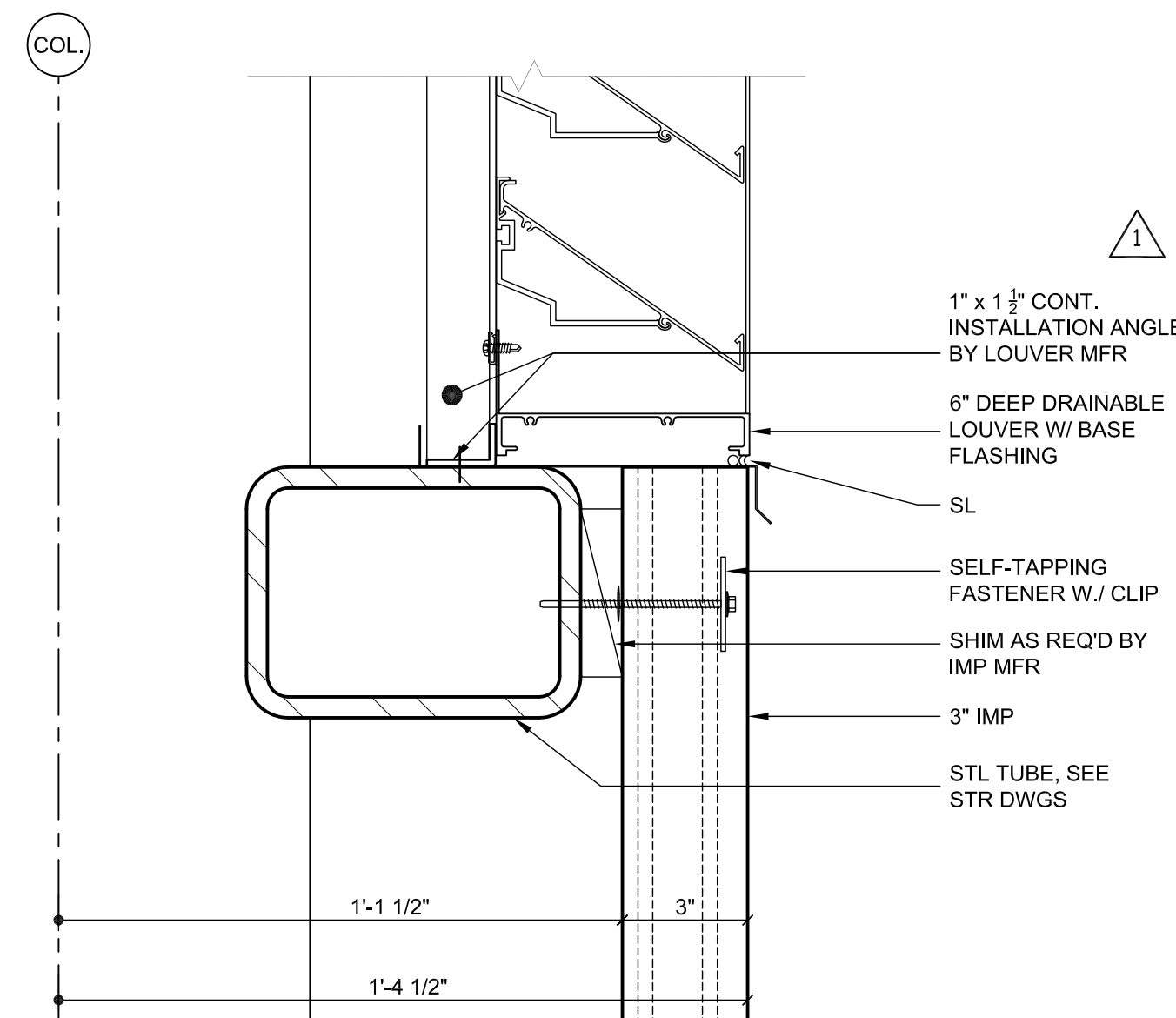
5 SECTION DETAIL
3' = 1'-0"



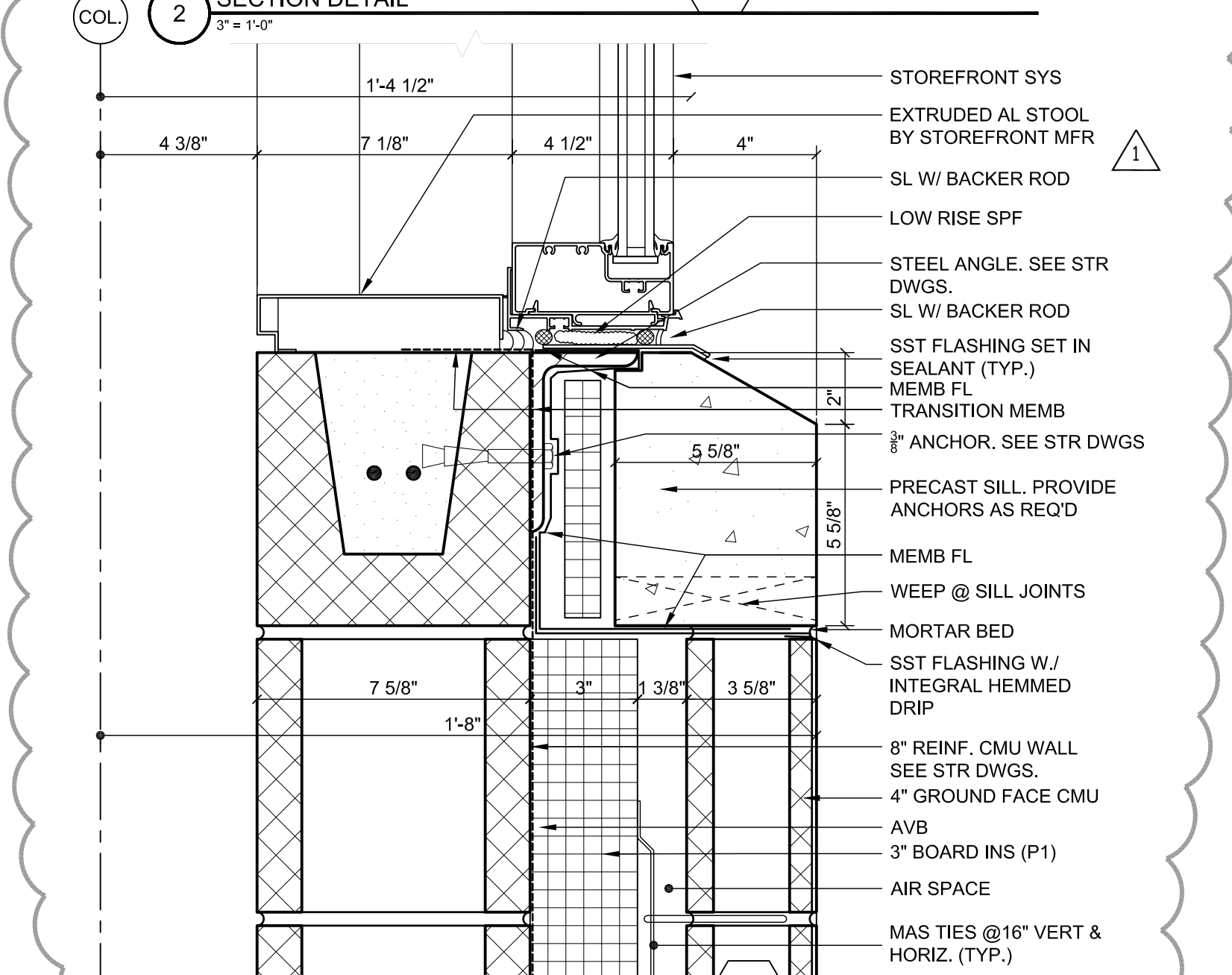
2 SECTION DETAIL
3' = 1'-0"



7 SECTION DETAIL
3' = 1'-0"



4 SECTION DETAIL
3' = 1'-0"



1 SECTION DETAIL
3' = 1'-0"

TECHNICAL ENGINEERING & DEVELOPMENT FACILITY (TEDF)

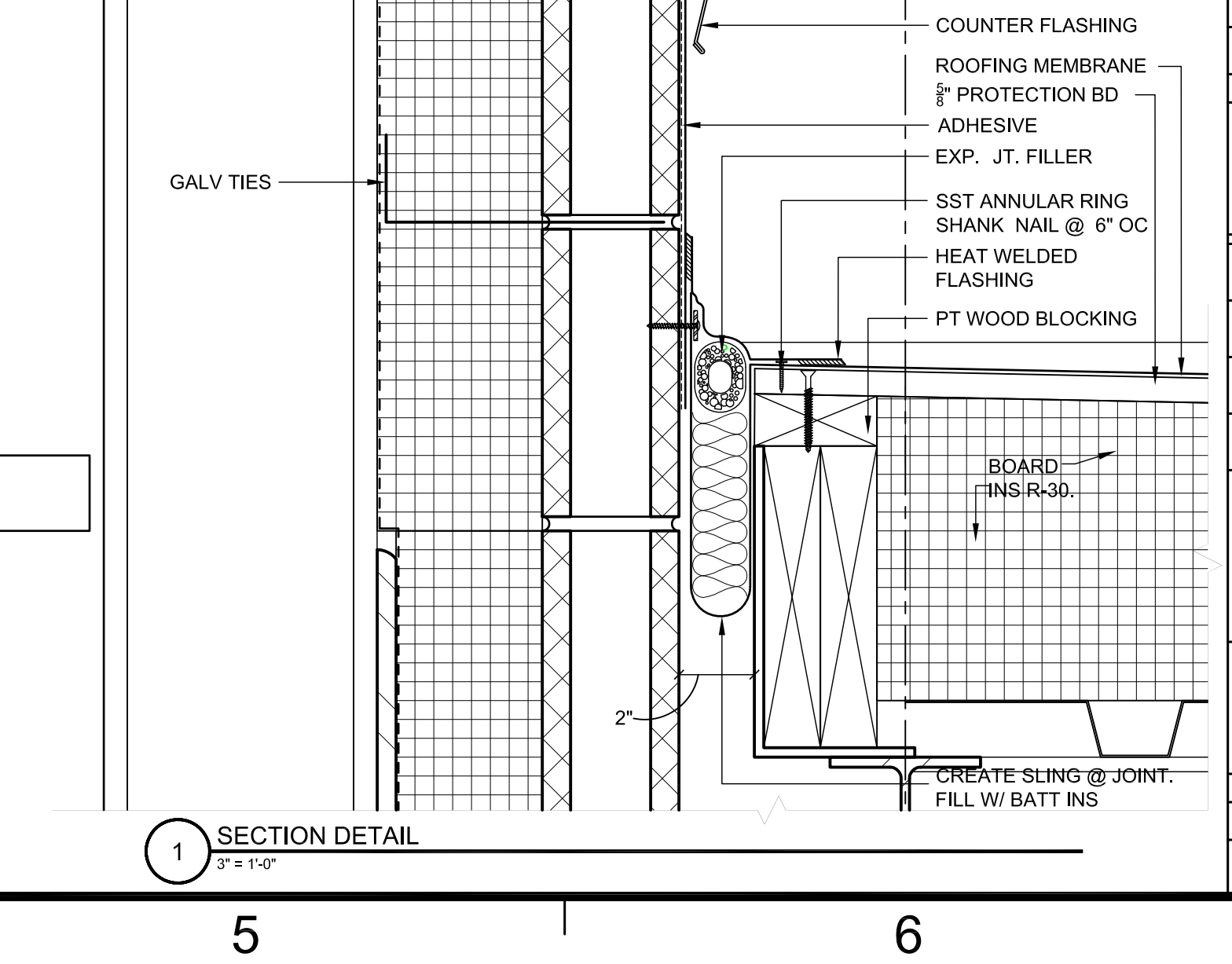
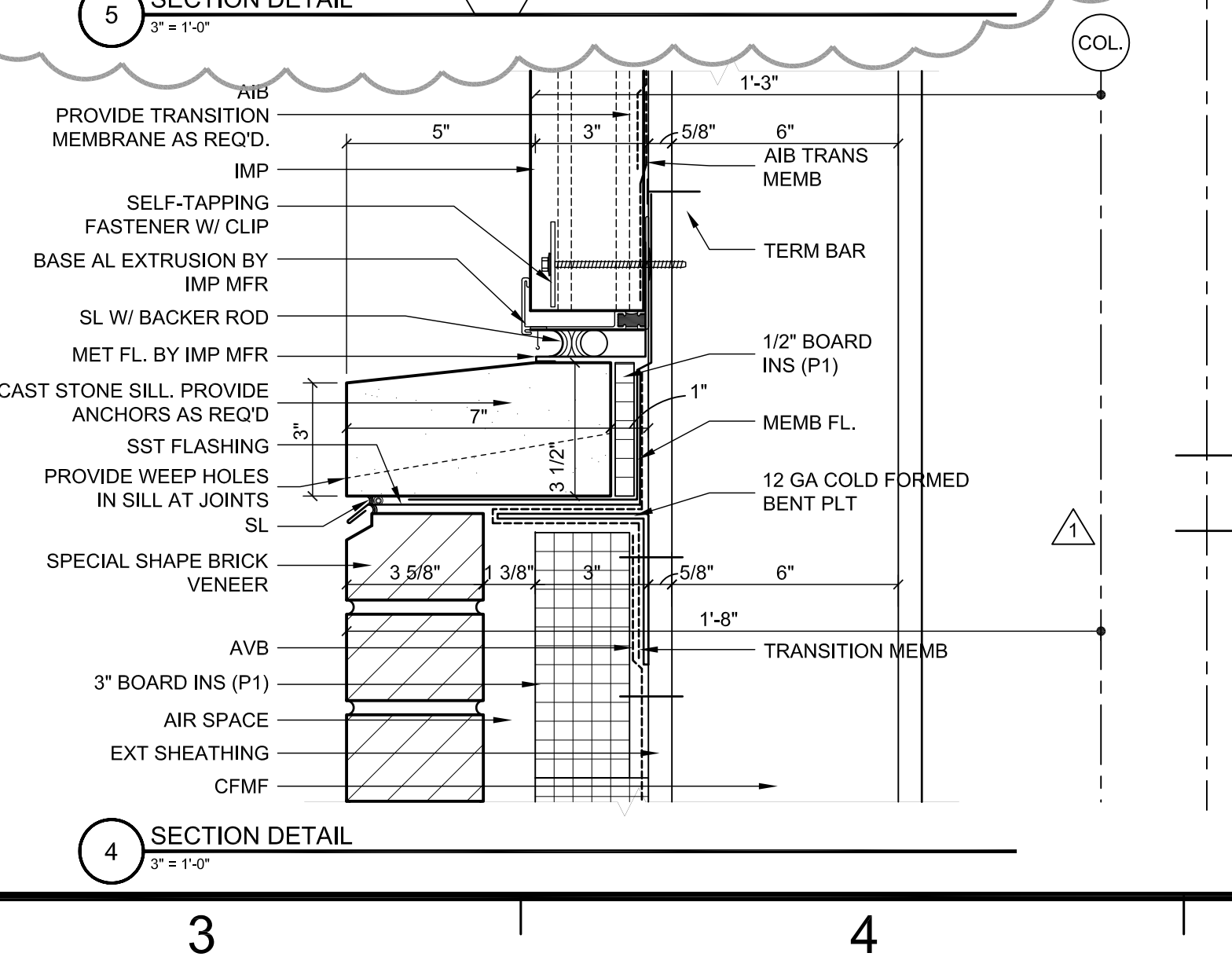
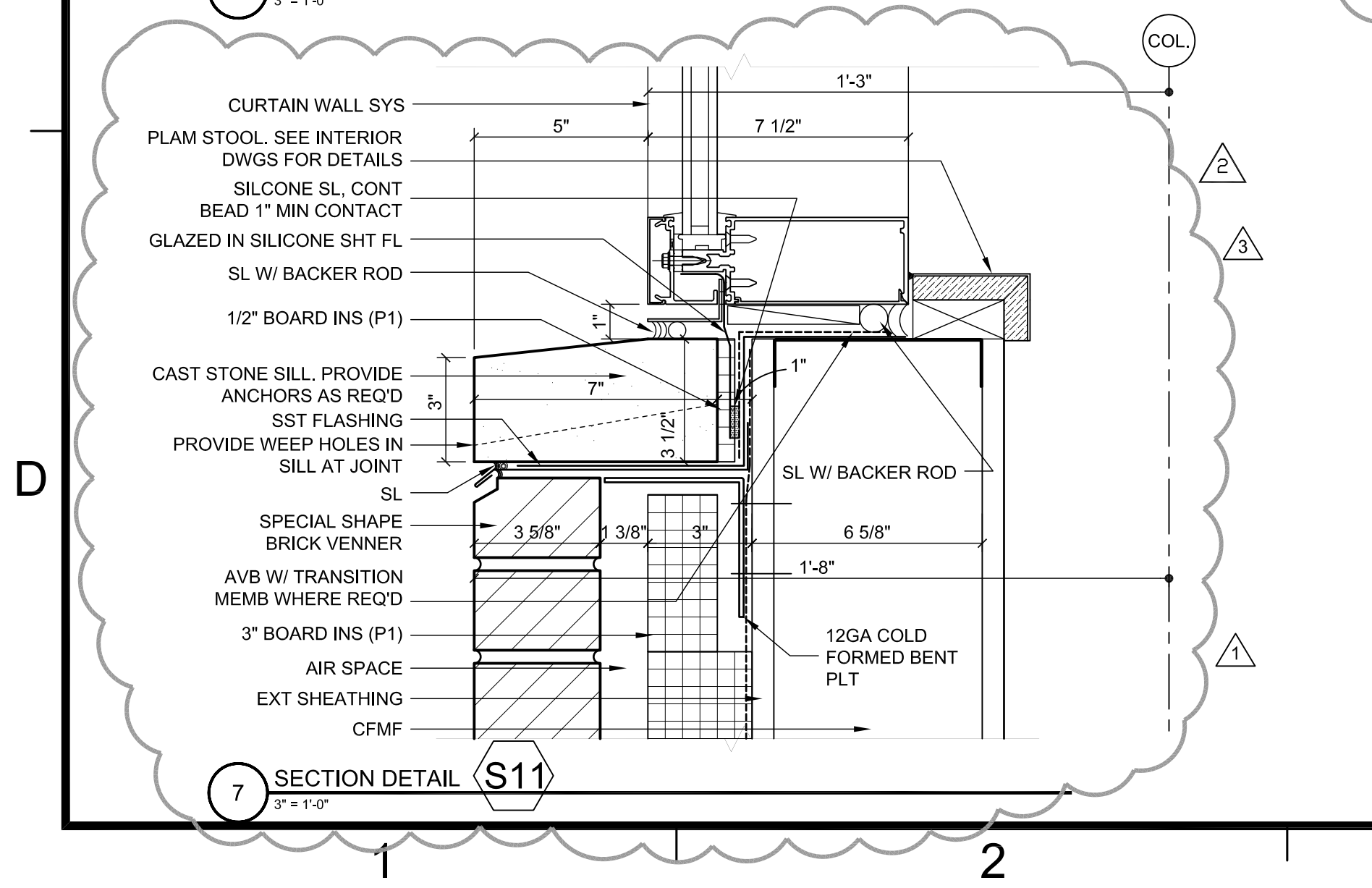
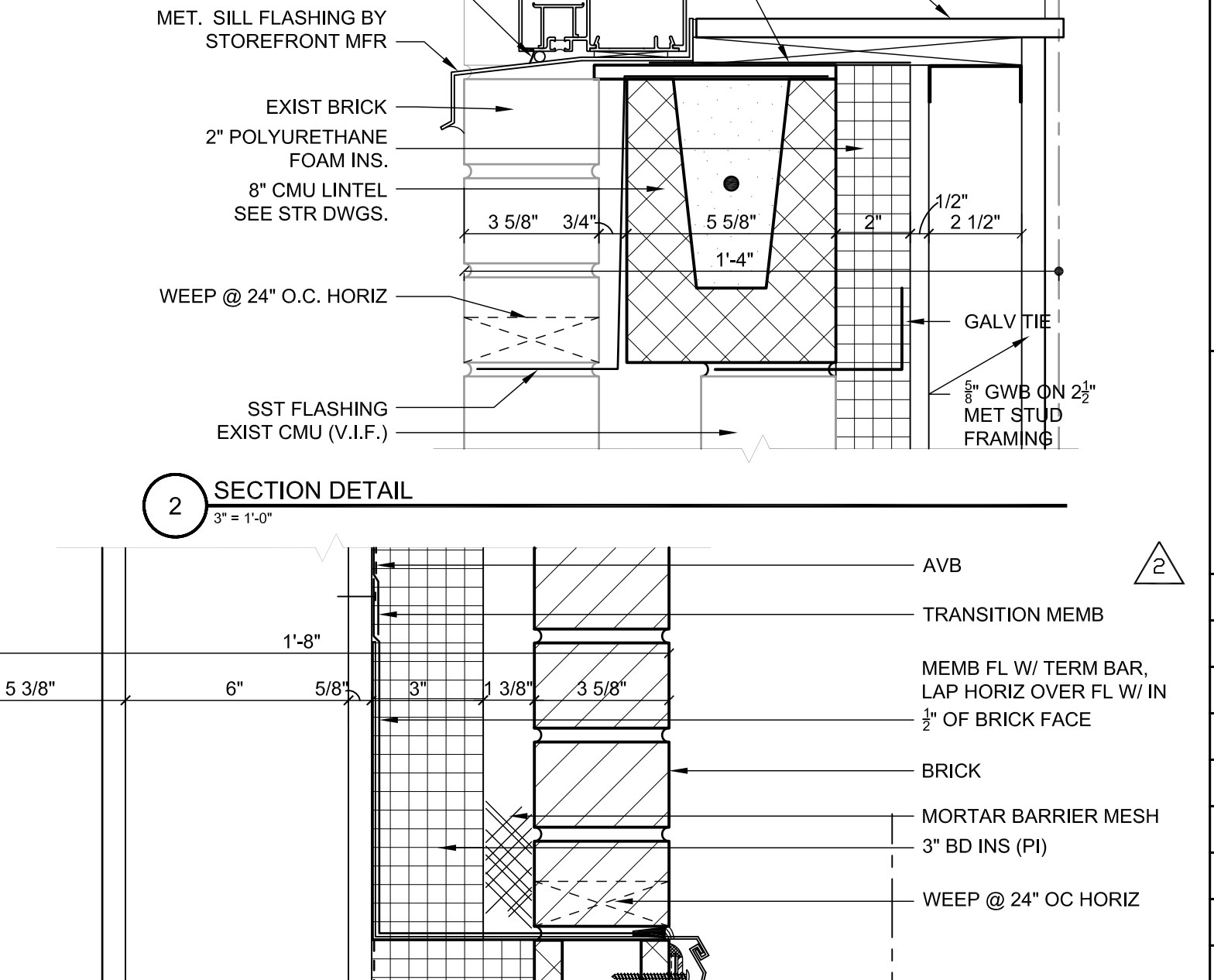
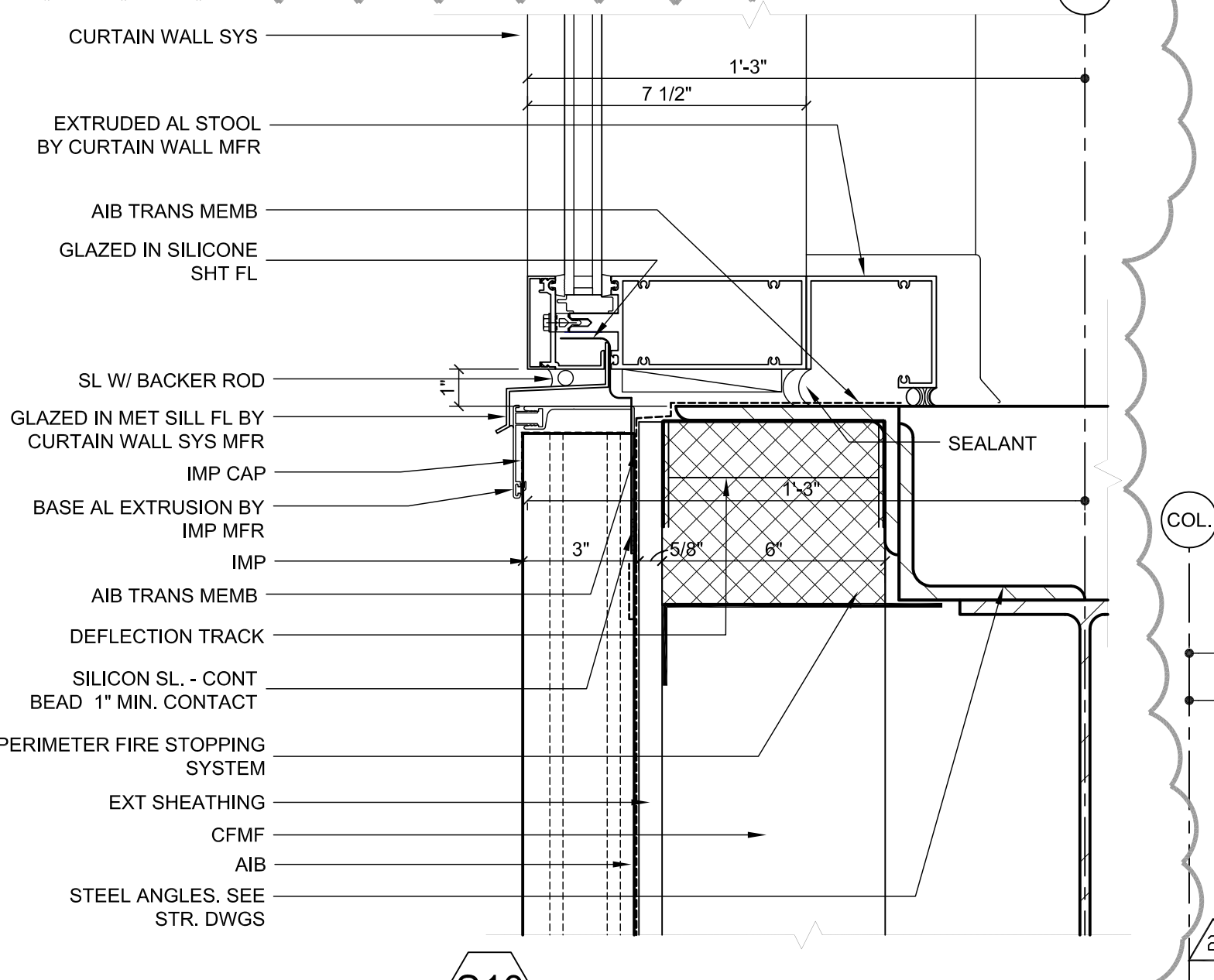
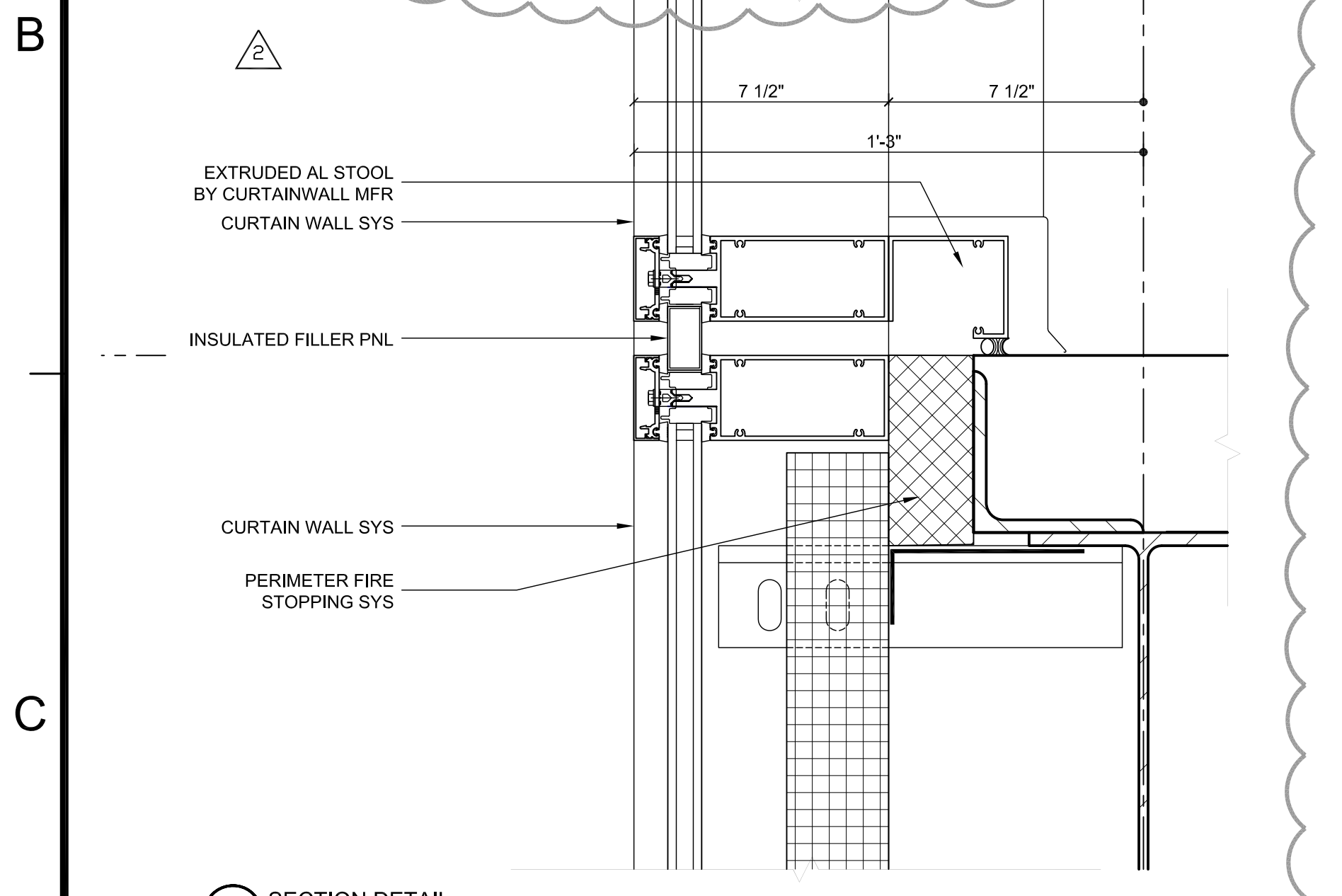
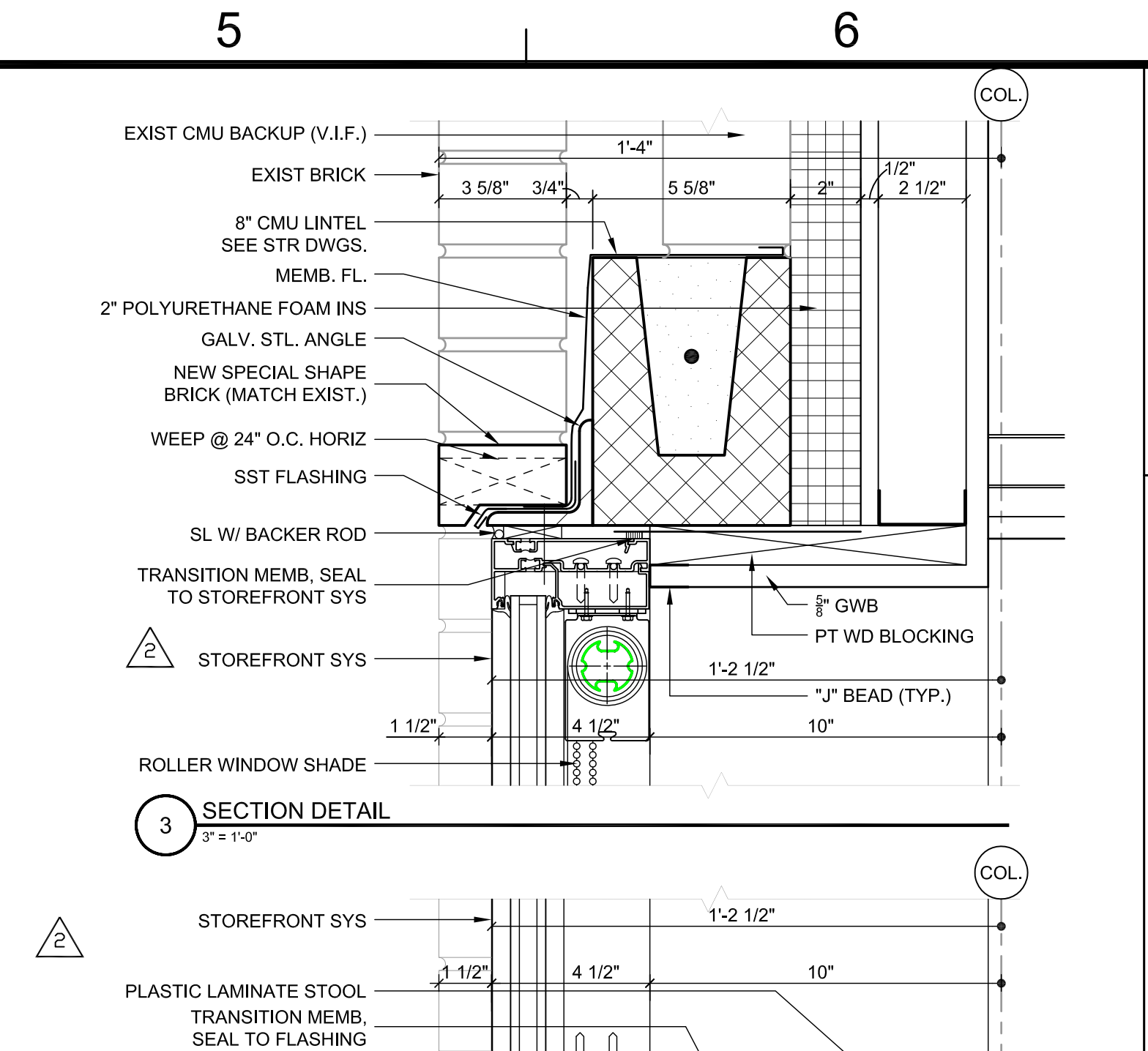
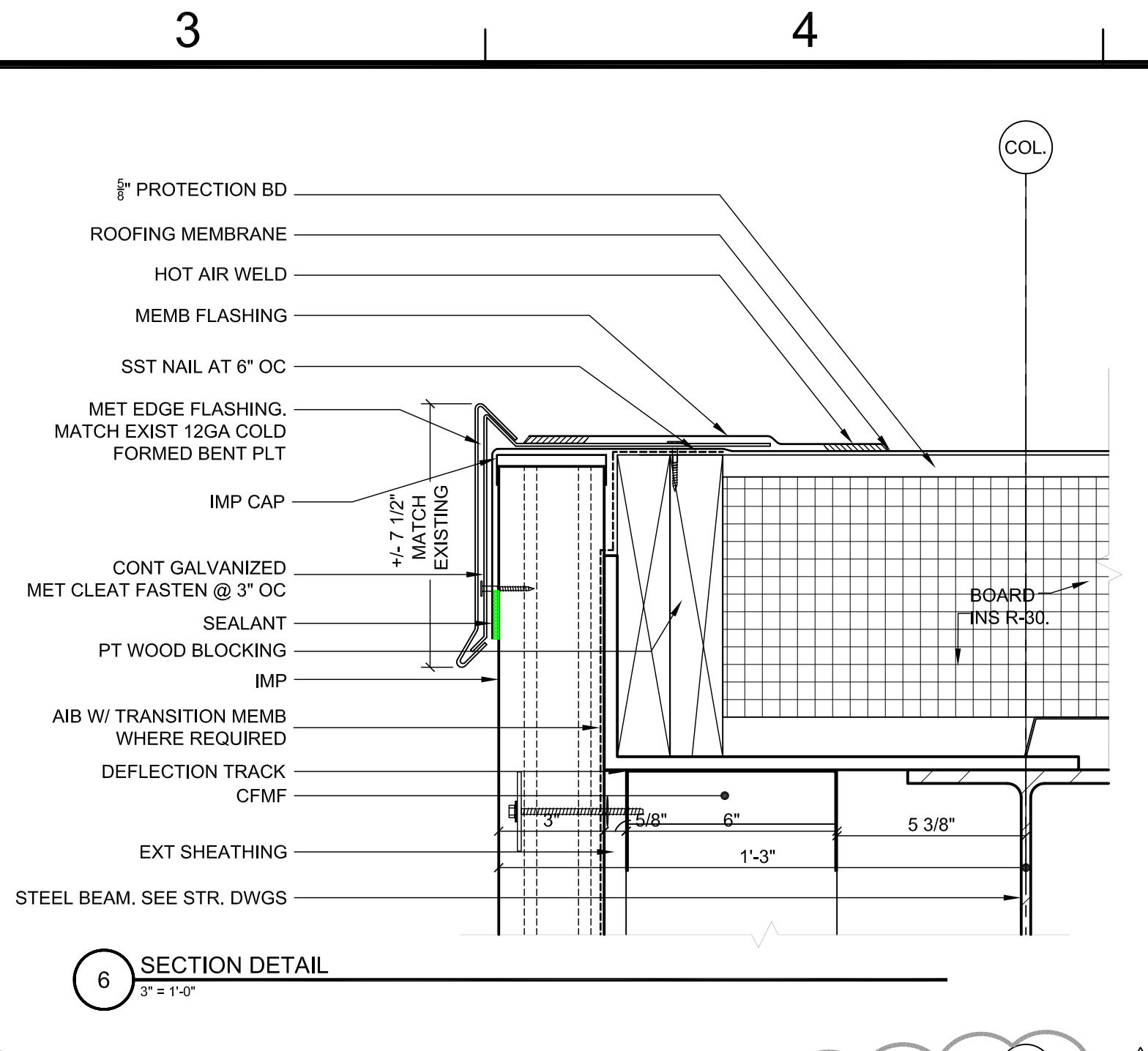
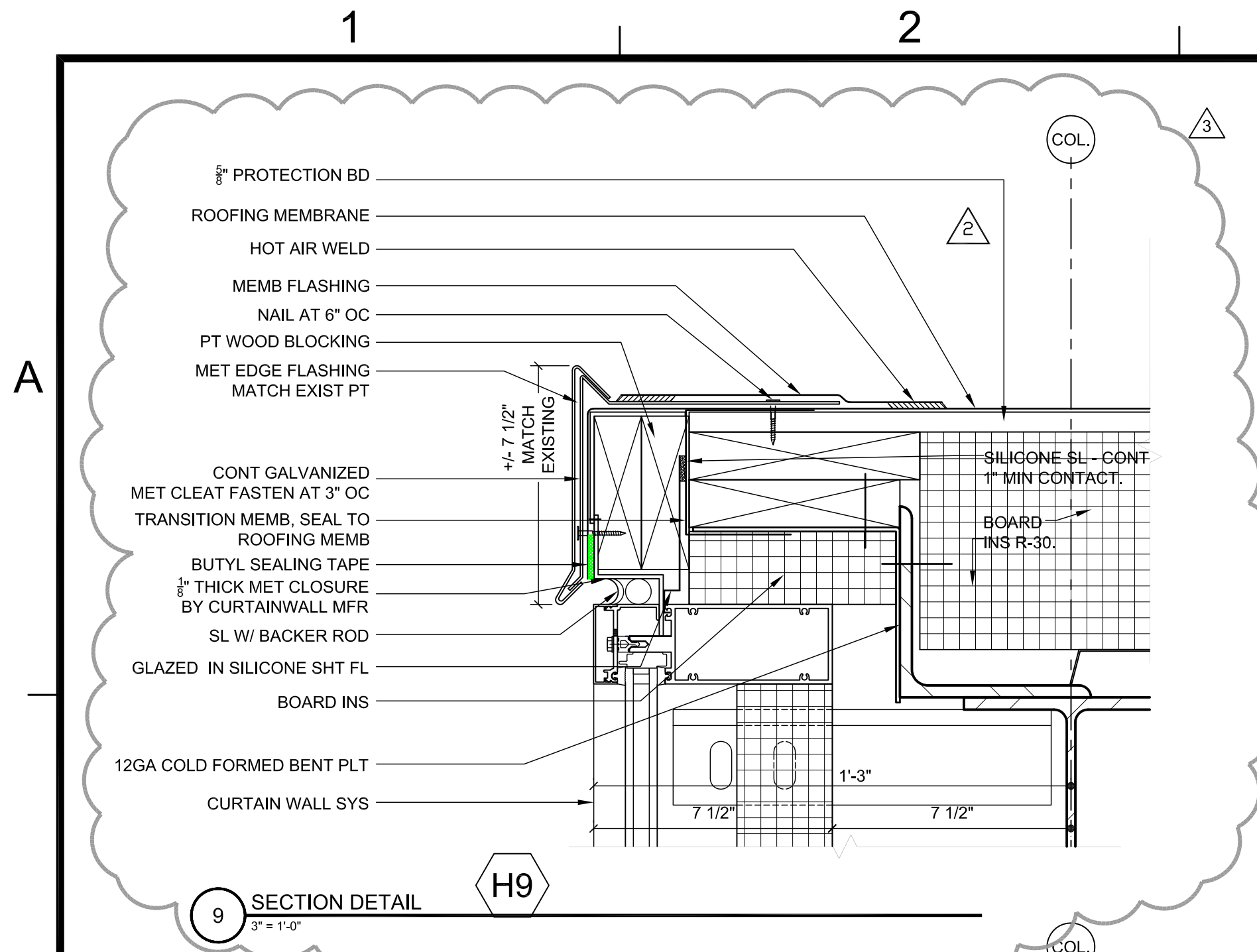
12000 JEFFERSON AVENUE, NEWPORT NEWS, VIRGINIA 23606

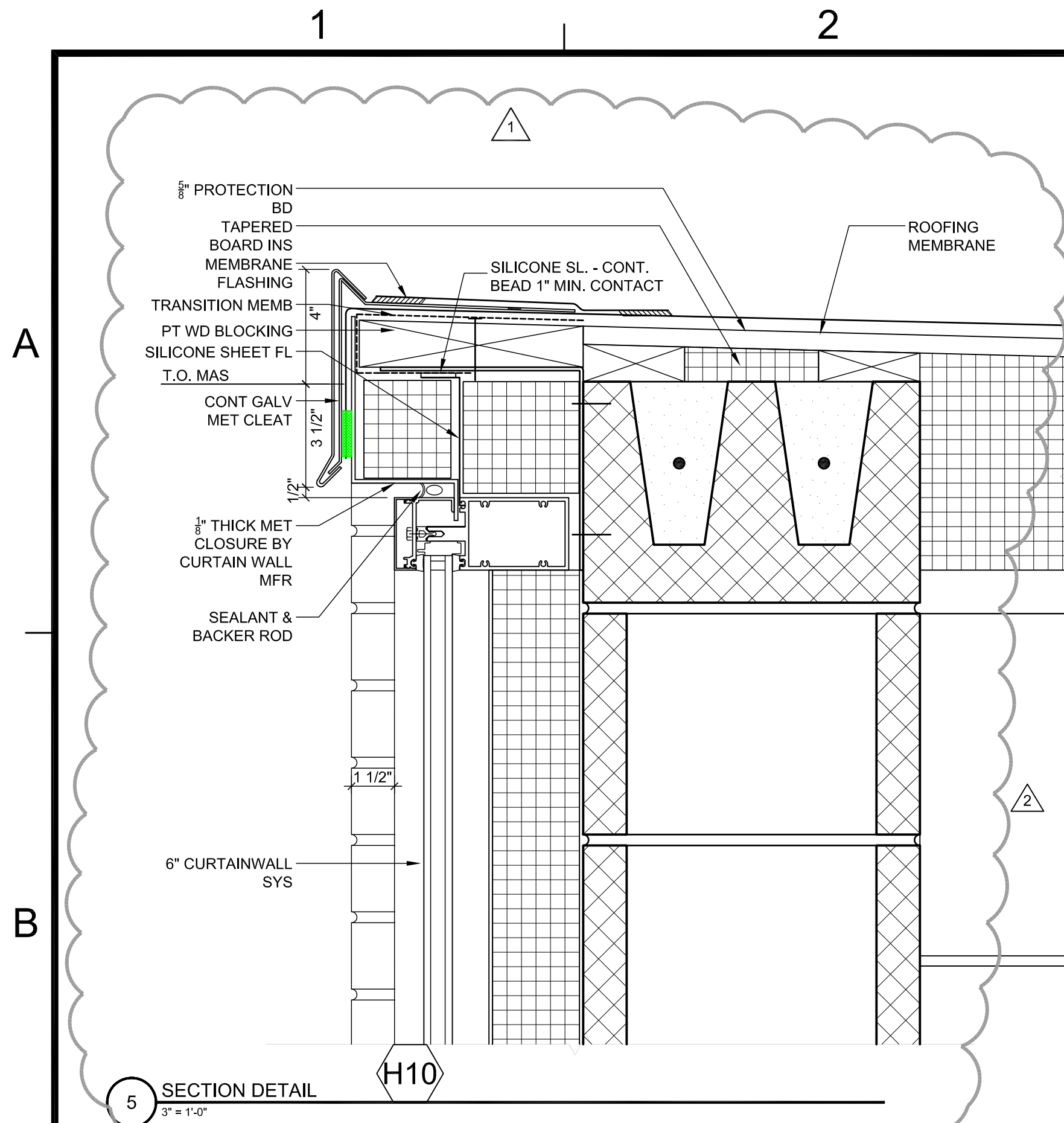
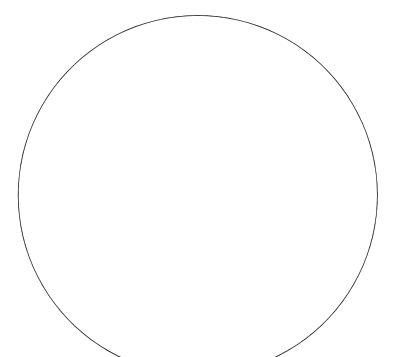
REV	ZONE	DESCRIPTION	APPR.	DATE
3		CCR NO. 15		06/27/11
		CONSOLIDATED SET		04/01/11
2		BULLETIN NO. 42		03/31/11
1		BULLETIN NO. 30		12/23/10
		TEDF TWO - FINAL		05/24/10

FACILITY USERS		FACILITIES & LOGISTICS	
APPROVED	DATE	DESIGNER	DATE
-	-	-	-
APPROVED	-	DRAWN	-
APPROVED	-	CHECKED	-
APPROVED	-	APPROVED	-

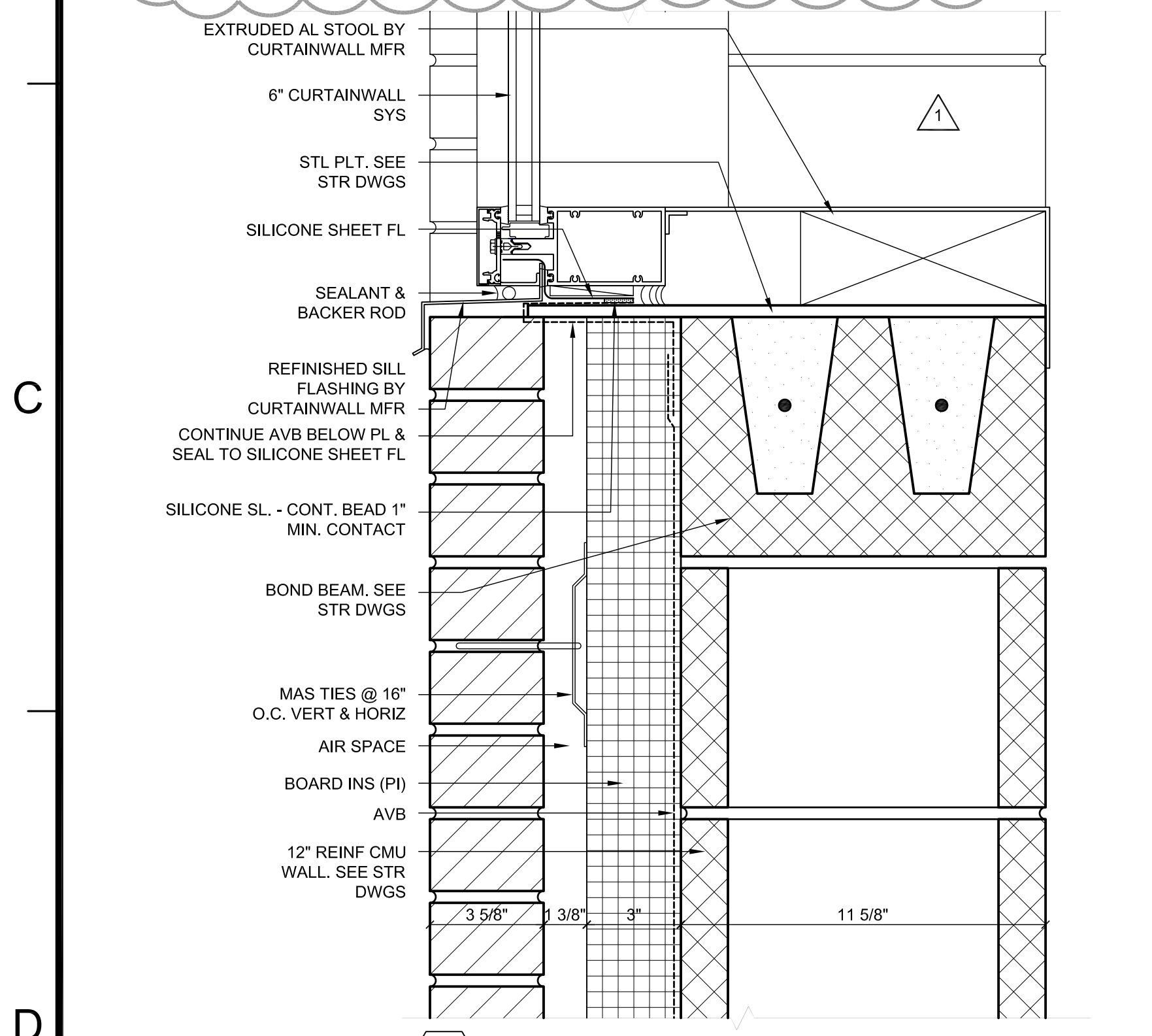
TITLE: TEST LAB RENOVATION - BUILDING 58
WALL SECTION DETAILS

SCALE	DRAWING NUMBER	SHEET	REV
3" = 1'-0"	100024-127-A109-STE	TLR-A3.1.4.3	-

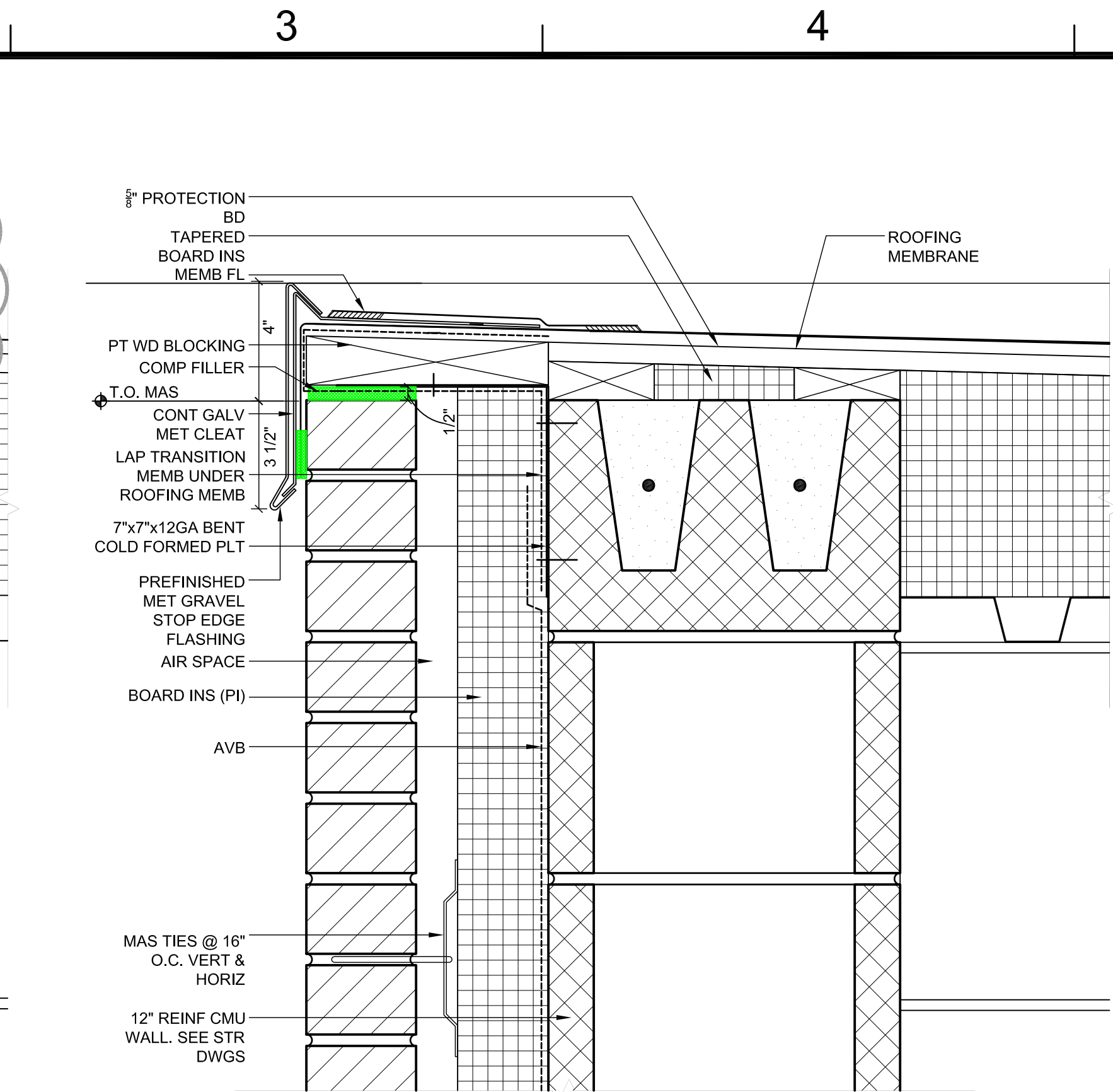




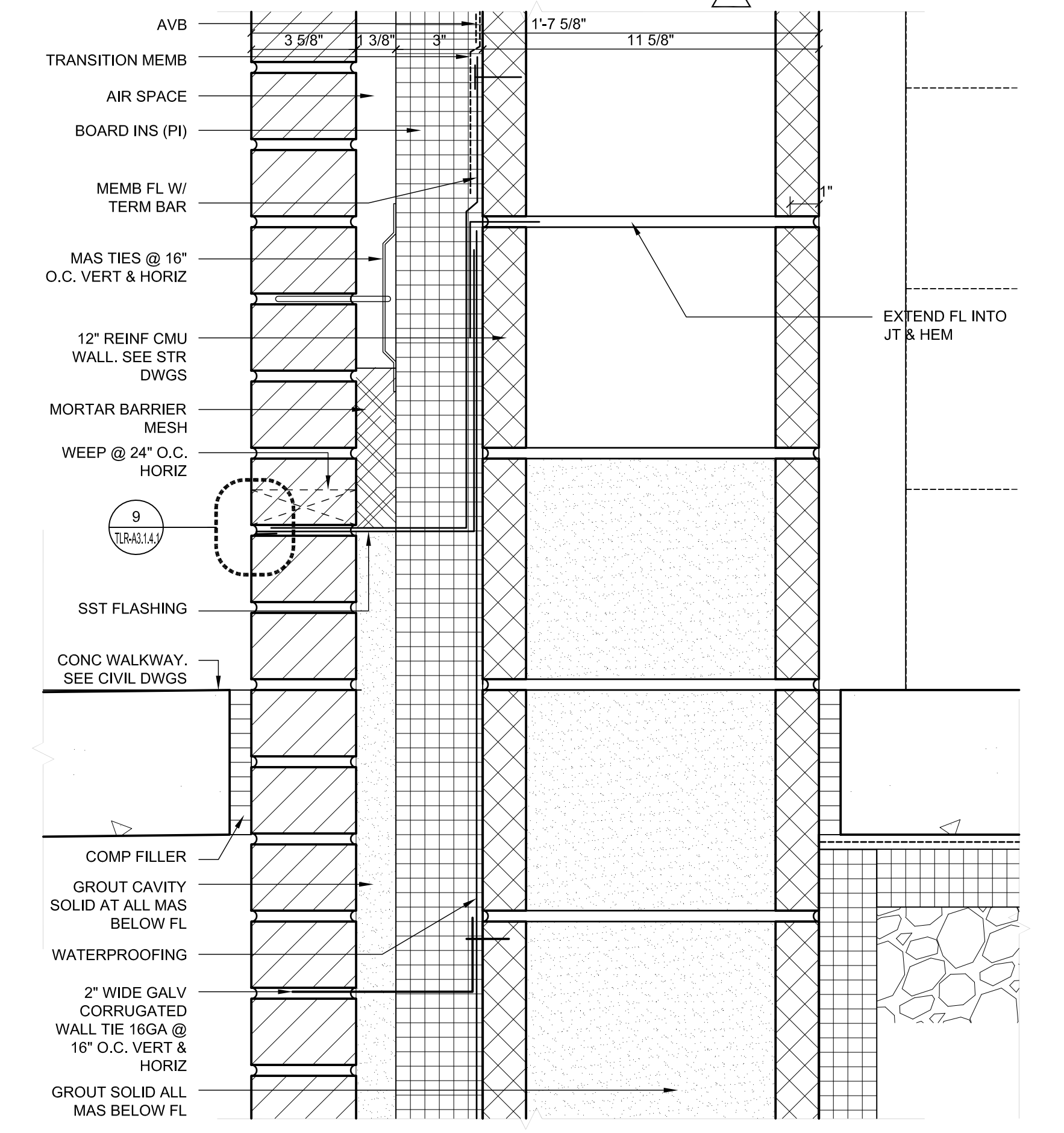
5 SECTION DETAIL
3" = 1'-0"



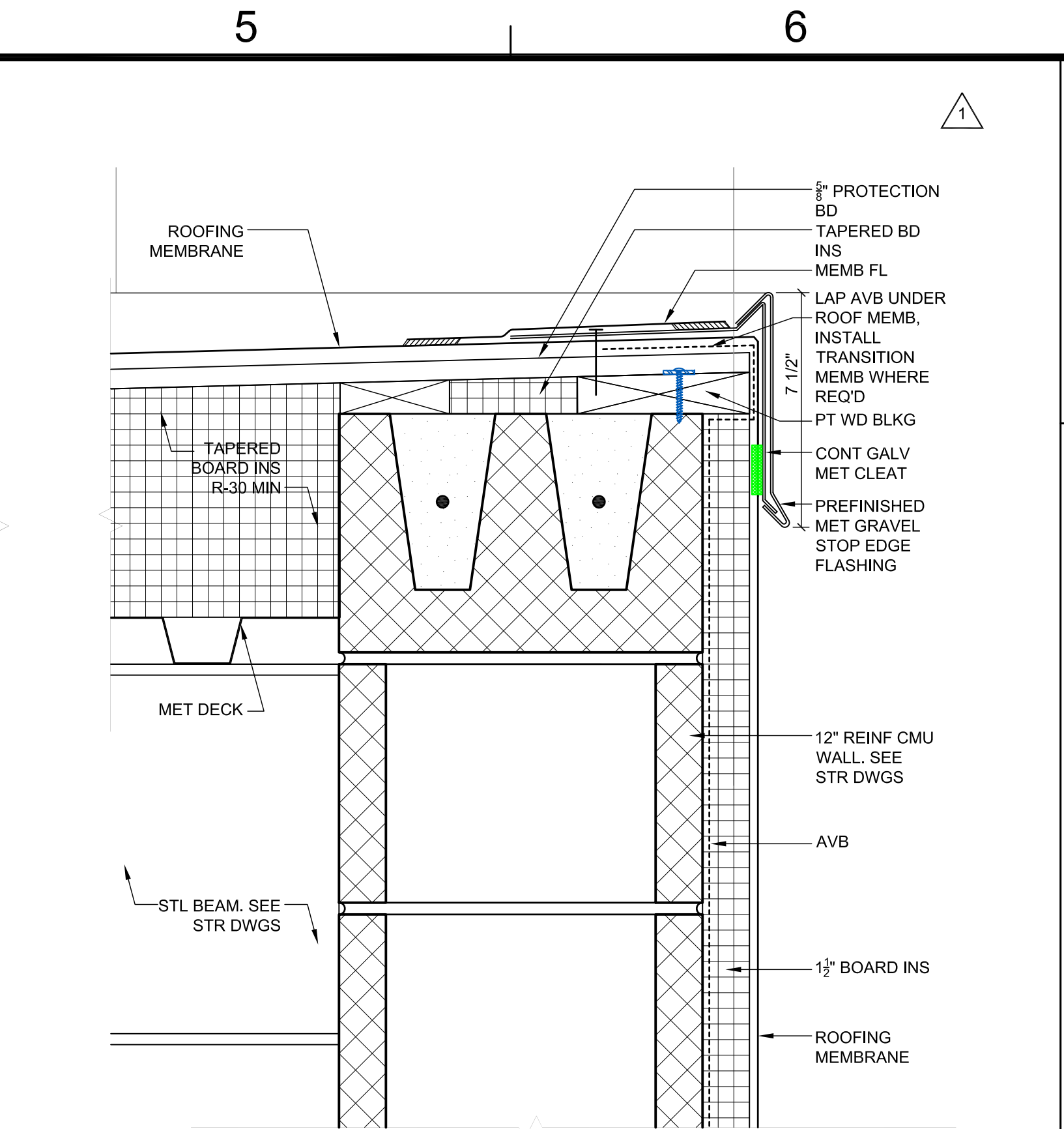
4 SECTION DETAIL
3" = 1'-0"



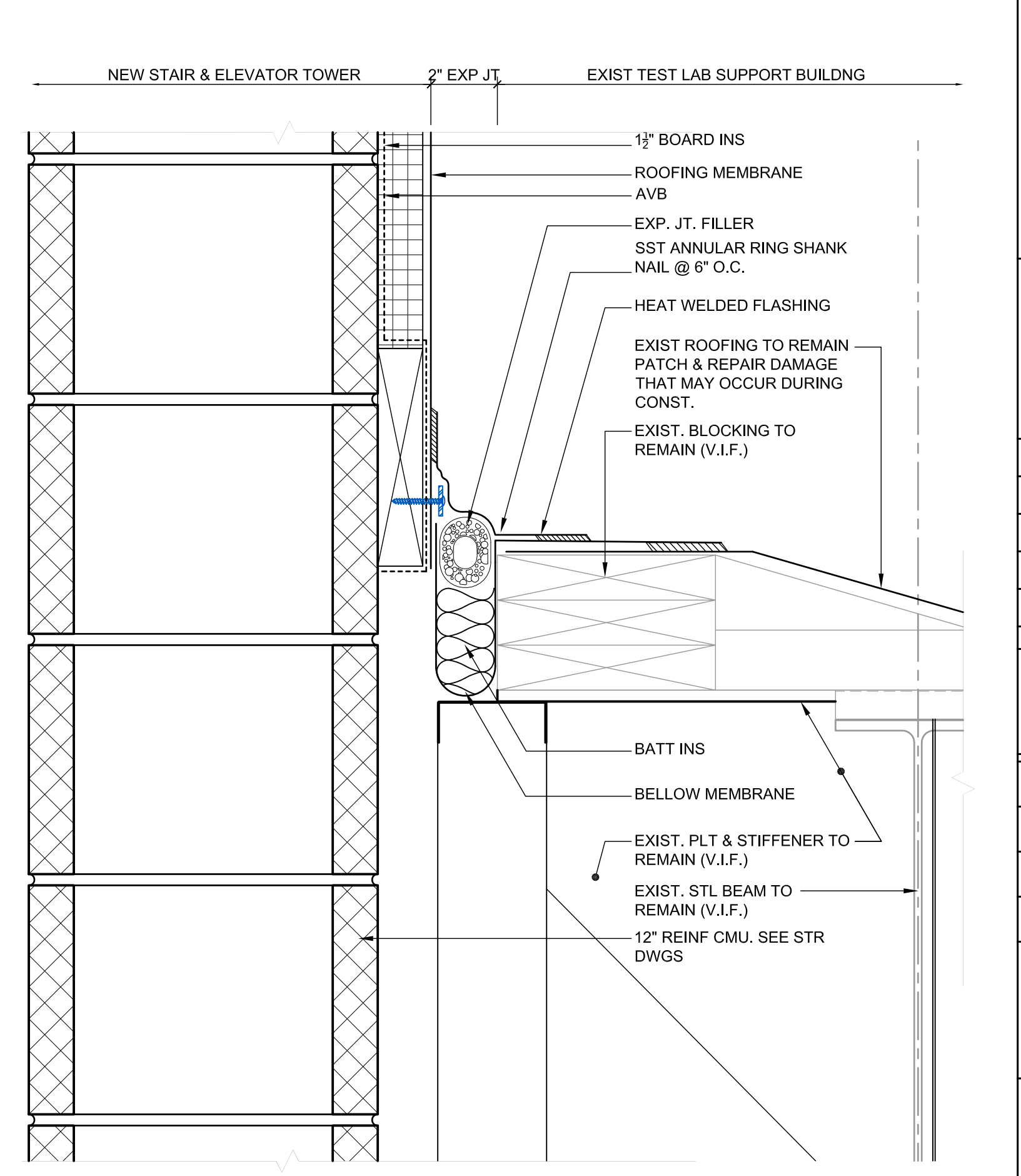
3 SECTION DETAIL
3" = 1'-0"



2 SECTION DETAIL
3" = 1'-0"



1 SECTION DETAIL
3" = 1'-0"



6 SECTION DETAIL
3" = 1'-0"

TECHNICAL ENGINEERING & DEVELOPMENT FACILITY (TEDF)

12000 JEFFERSON AVENUE, NEWPORT NEWS, VIRGINIA 23606

2	CCR NO. 15	06/27/11		
	CONSOLIDATED SET	04/01/11		
1	BULLETIN NO. 42	03/31/11		
	TEDF TWO - FINAL	05/24/10		
REV	ZONE	DESCRIPTION	APPR.	DATE

FACILITY USERS		FACILITIES & LOGISTICS	
APPROVED	DATE	DESIGNER	DATE
APPROVED	-	DRAWN	-
APPROVED	-	CHECKED	-
APPROVED	-	APPROVED	-

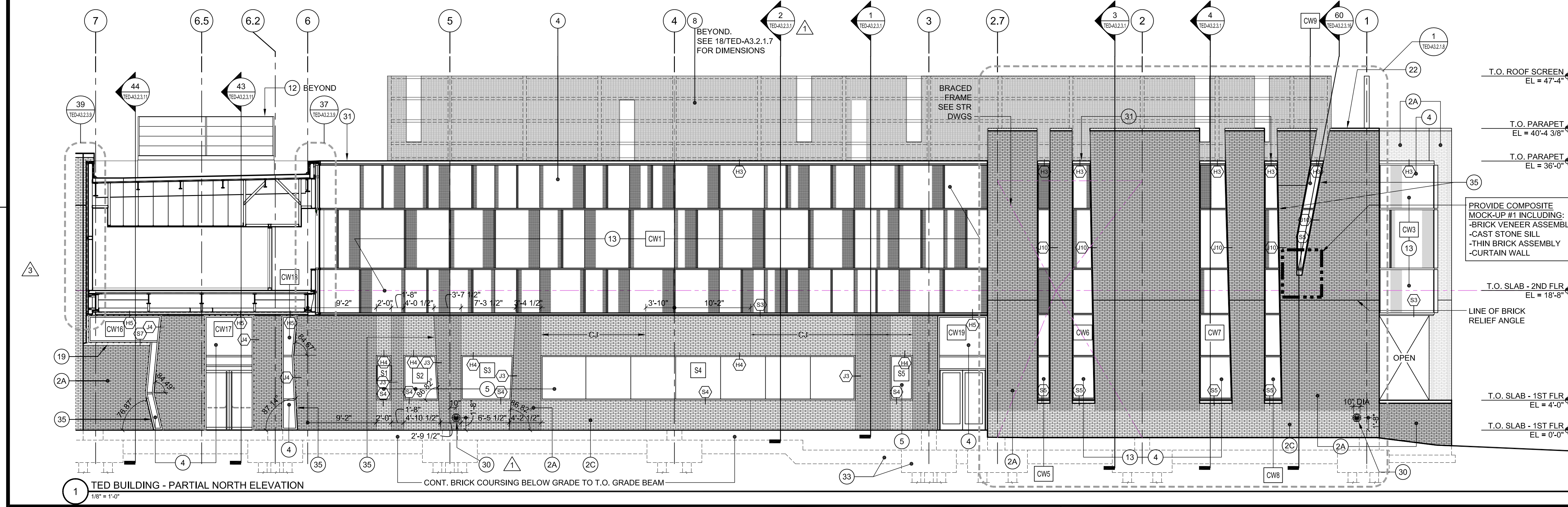
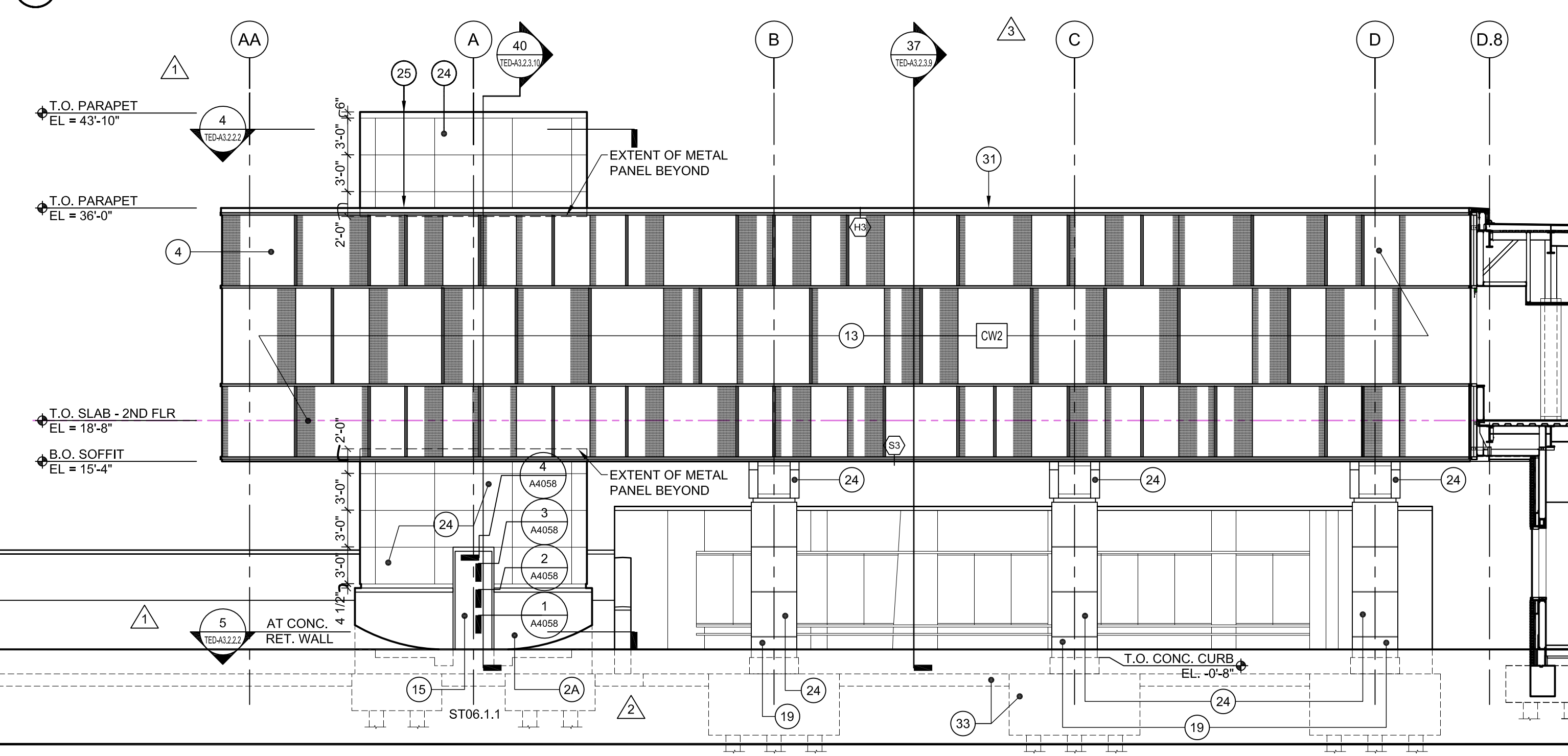
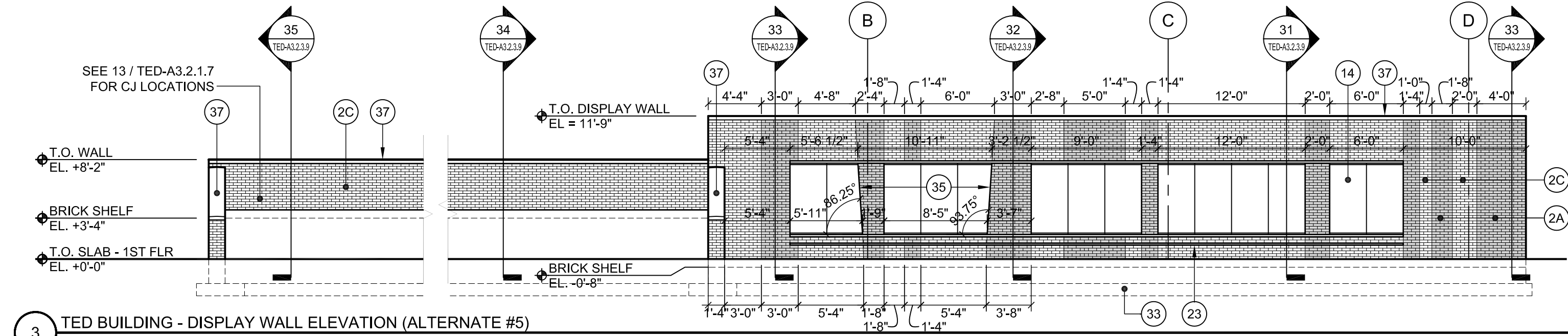


TITLE:
TEST LAB RENOVATION - BUILDING 58
WALL SECTION DETAILS

SCALE	DRAWING NUMBER	SHEET	REV
3" = 1'-0"	100024-128-A111-STE	TLR-A3.1.4.5	-

EXTERIOR MATERIAL LEGEND

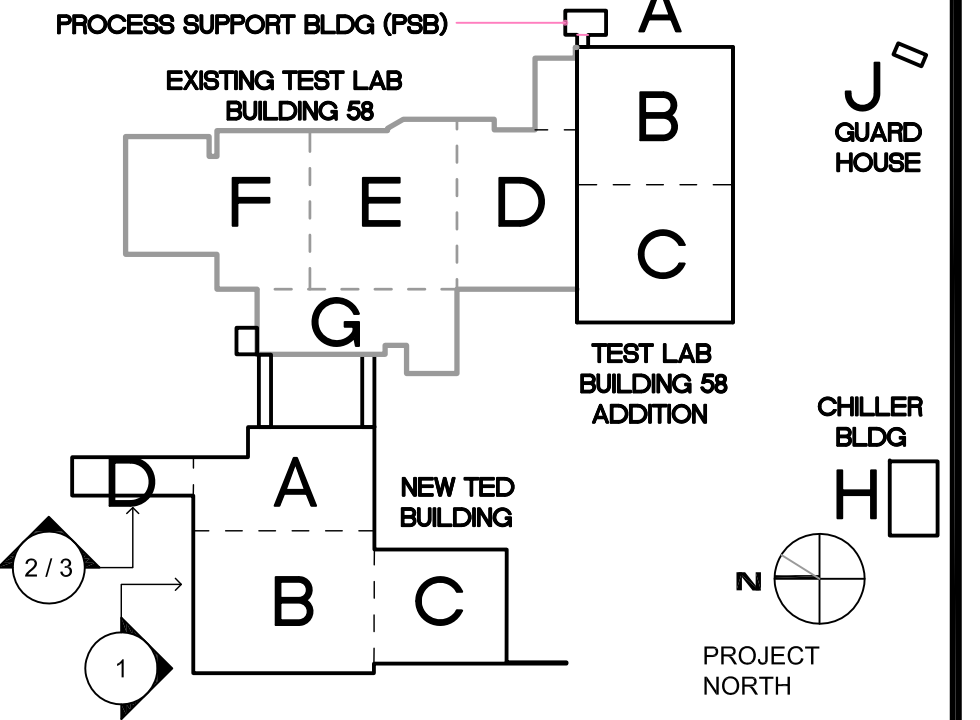
- 1 GROUNDFAÇE CMU
B O D: CLAYTON ARCHITECTURAL
GROUND FACE BLOCK; CG-28 CHARCOAL
ALT: NORTHFIELD BLOCK COMPANY
MIDNIGHT GROUNDFAÇE
- 2A BRICK VENEER - TYPE "A"
B O D: ENDICOTT CLAY PRODUCTS
MANGANESE IRONSPOT ARTESIAN MODULAF
- 2B BRICK VENEER - TYPE "B"
B O D: SIOUX CITY BRICK
VINTAGE BROWN VELOUR
ALT: CAROLINA CERAMICS BRICK CO.
BLUE BLACK
- 2C BRICK VENEER - TYPE "C"
B O D: SIOUX CITY BRICK
MOUNTAIN SHADOW SMOOTH
ALT: ENDICOTT CLAY PRODUCTS
MEDIUM IRONSPOT 46 VELOUR
- 2D BRICK VENEER - MATCH EXISTING
- 2E EXISTING BRICK VENEER TO REMAIN
CLEAN AND REPOINT AS REQ'D.
RECAULK EXPANSION & CONTROL JOINTS
- 3A INSULATED VERTICAL, MULTI-COLORED
METAL PANEL W/ HORIZ. JOINT - MICRO RIB
B O D: KINGSPAN KS SERIES; KS 42
- 3B INSULATED VERTICAL SINGLE LENGTH,
SINGLE COLOR METAL PANEL - MICRO RIB
B O D: KINGSPAN KS SERIES; KS 42
- 3C INSULATED HORIZONTAL METAL PANEL - FLAT
B O D: KINGSPAN KS SERIES; KS 36
- 4 CURTAINWALL SYSTEM
- 5 ALUMINUM STORE FRONT
WINDOW SYSTEM
- 6 NOT USED
- 7 OVERHEAD DOOR
B O D: COOKSON INSULATED EXT.
ROLLING DOOR
- 8 SCREEN WALL (AL GRATING) - ALT # 1 & 2
REFER TO STRU DWGS
- 9 EXTERIOR GALVANIZED STL. STAIR (PTD.)
- 10 HVAC LOUVER. SEE MECH. DWGS.
B O D: AIRLOLITE K6776; DRAINABLE BLADE LOUVER
- 11 HVAC EQUIP. SEE MECH. DWGS.
SEE 1/A3.6.1 FOR CURB DETAILS
- 12 SKYLIGHT
- 13 FRITTED GLAZING
- 14 1/2 ANNEALED LAMINATED GLASS DISPLAY
CASE DOORS AND SIDE LIGHTS - ALT #5
- 15 HOLLOW METAL DOOR & FRAME
PAINTED; COLOR TO BE DETERMINED BY ARCHITECT.
- 16 PREFINISHED GUTTER & DOWNSPOUT 3" X 4" SQUARE,
PAINTED; COLOR TO MATCH METAL PANELS
- 17 CONCRETE CURB
- 18 AREA DRAIN
- 19 CAST STONE WATER TABLE / SILL / BASE
- 20 EXPANSION JOINT
- 21 4 1/2" Ø DROP-IN GALV. STEEL BOLLARD (PTD. YELLOW)
- 22 CAST STONE COPING
- 23 WOOD BENCH W/ GALVANIZED MET BRACKETS
@ 4'-0" O.C.
- 24 ALUMINUM PLATE CLADDING SYSTEM
- 25 PRE-FINISHED METAL COPING
- 26 EXTERIOR HOLLOW METAL DOOR W/
TRANSOM W/ INSULATED GLAZING
- 27 EXPANSION JOINT
- 28 12" W X 8" H OVERFLOW SCUPPER
SHOP FABRICATED 1/2" AL. SHEET
BY MET. PANEL MANUFACTURER
- 29 KNOCK OUT WALL
- 30 OVERFLOW DRAIN PIPE DISCHARGE COVER
- 31 PRE-FINISHED MET COPING BY CURTAIN WALL MFR
- 32 EXTERIOR LIGHTING - SEE ELECTRICAL DWGS
- 33 REINF. CONC. FOOTINGS, PILE CAPS & GRADE BEAMS
SEE STRU DWGS
- 34 42" HIGH PTD. GALVANIZED STEEL GUARD RAIL
SEE CIVIL DWGS
- 35 SEE BRICK DETAIL 3 / TED-A3.2.1.8 FOR BRICK DETAIL AT
SLOPED WALLS
- 36 NOT USED
- 37 ROW LOCK BRICK COPING



EWING COLE

Federal Reserve Bank Building
100 North 6th Street
Philadelphia, PA 19106-1590
Tel: 215-923-2020 Fax: 215-574-0952

- INSULATED VERTICAL METAL PANEL
COLOR 1: CENTRIA 9946 SILVERSMITH
- INSULATED VERTICAL METAL PANEL
COLOR 2: CENTRIA 9957 SILVER
- INSULATED VERTICAL METAL PANEL
COLOR 3: CENTRIA 9962 XL SILVER GRAY
- INSULATED VERTICAL METAL PANEL
COLOR 4: CENTRIA 9960 XL MEDIUM GRAY



TECHNICAL ENGINEERING & DEVELOPMENT FACILITY (TEDF)
12000 JEFFERSON AVENUE, NEWPORT NEWS, VIRGINIA 23606

REV	ZONE	DESCRIPTION	APPR.	DATE
4		CCR NO. 15		06/27/11
3		CONSOLIDATED SET		04/01/11
3		BULLETIN NO. 34		02/16/11
2		BULLETIN NO. 30		12/23/10
1		BULLETIN NO. 26		12/03/10
		TEDF TWO - FINAL		05/24/10

FACILITY USERS		FACILITIES & LOGISTICS	
APPROVED	DATE	DESIGNER	DATE
APPROVED	-	DRAWN	-
APPROVED	-	CHECKED	-
APPROVED	-	APPROVED	-

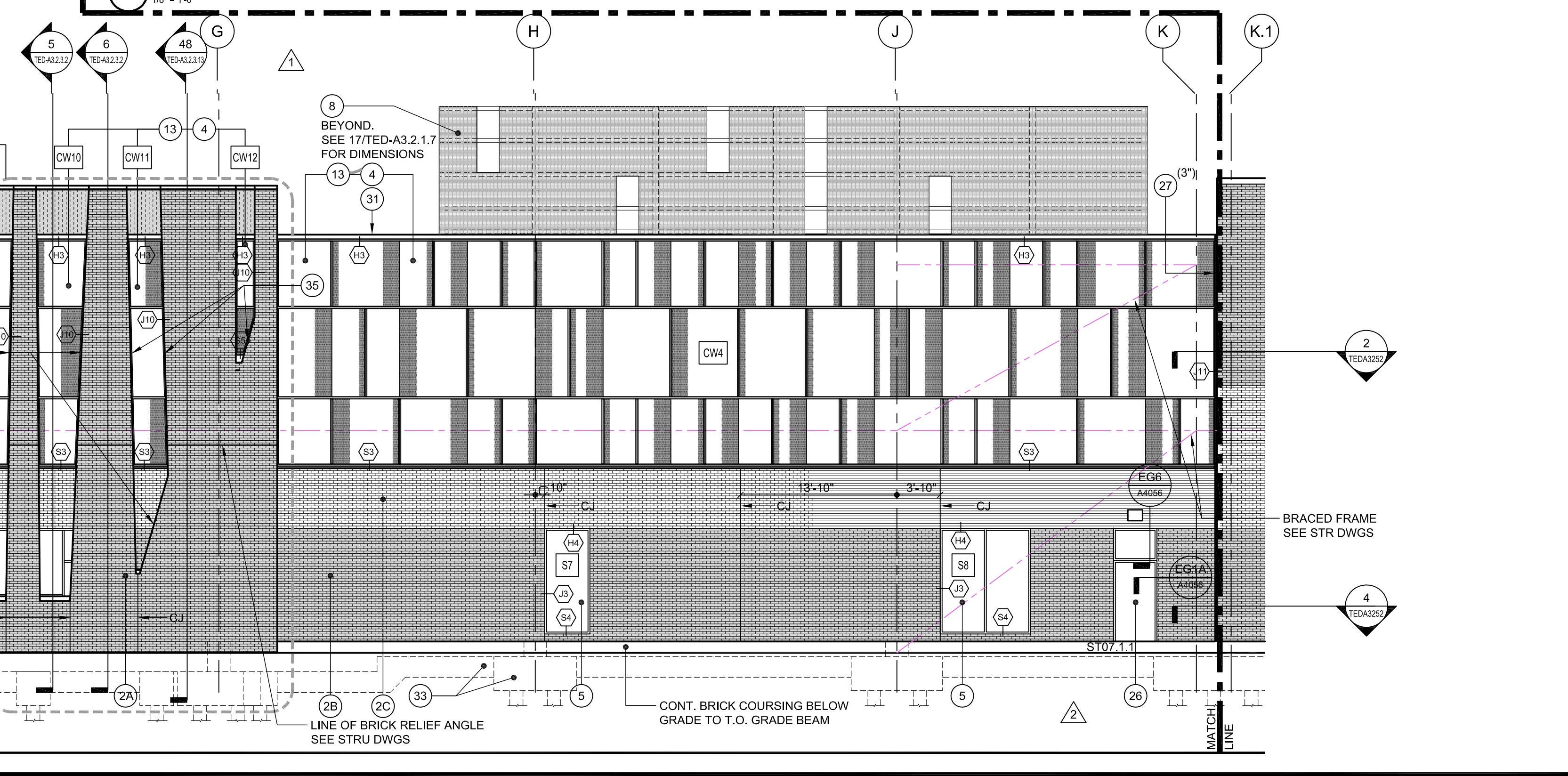
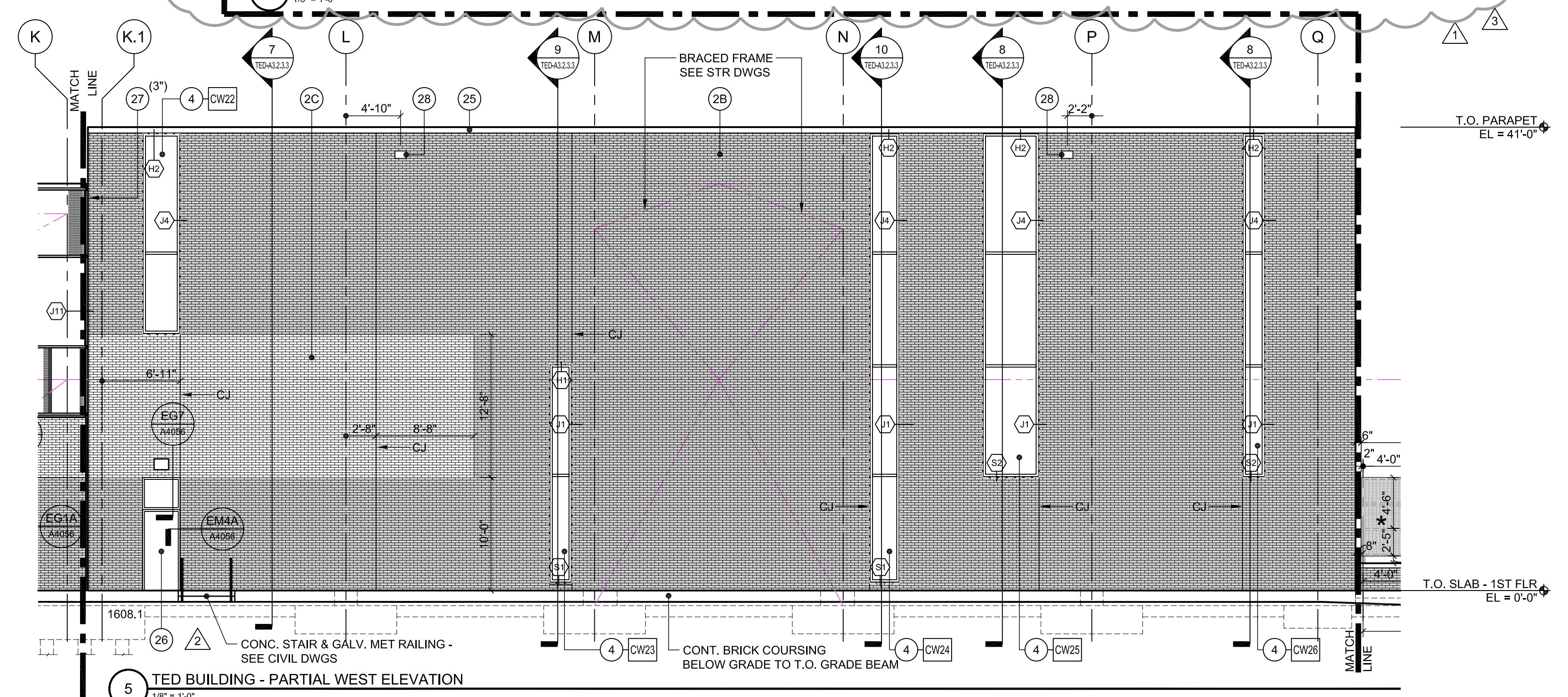
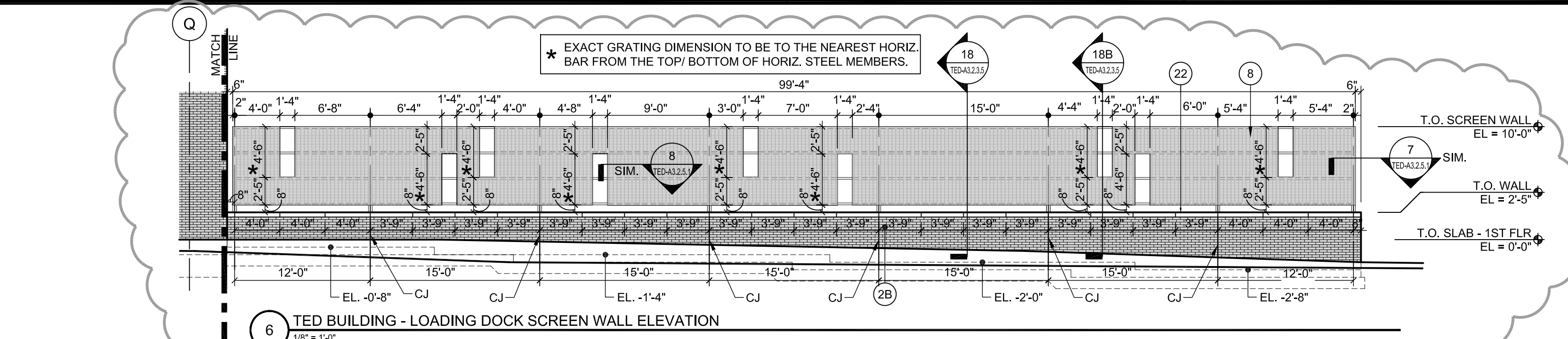
Jefferson Lab

TITLE: TED BUILDING EXTERIOR ELEVATIONS

SCALE	DRAWING NUMBER	SHEET	REV
1/8" = 1'-0"	100024-146-A128-STE	TED-A3.2.1.3	-

EXTERIOR MATERIAL LEGEND

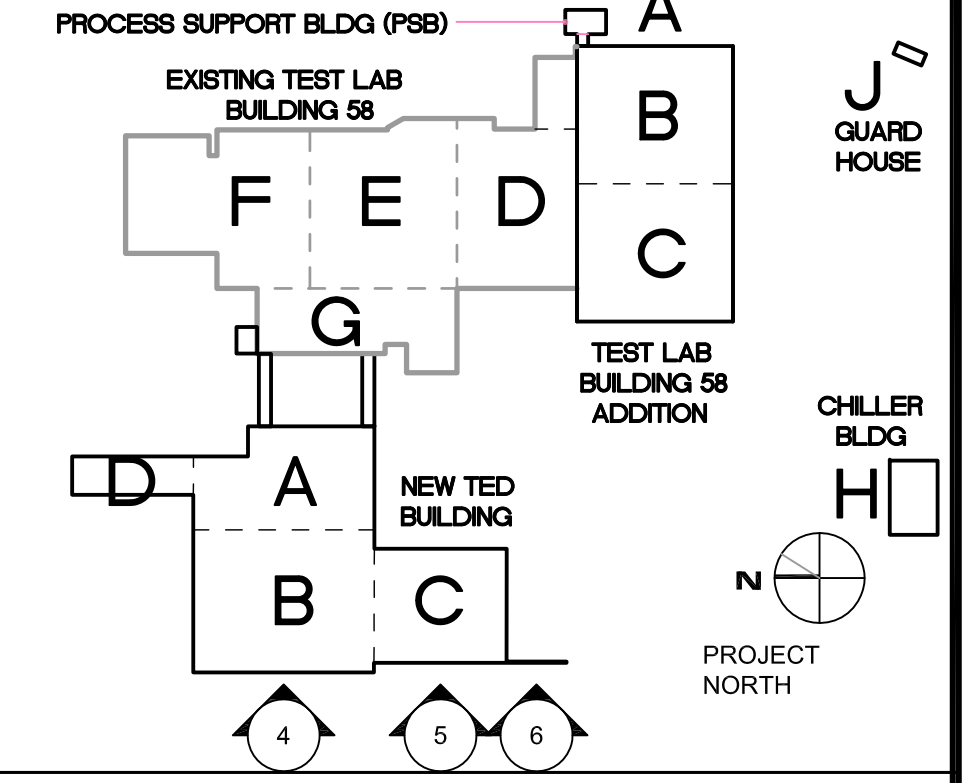
- | | |
|---|--|
| 1 GROUNDFACE CMU
B O D: CLAYTON ARCHITECTURAL
ALT: GROUND FACE BLOCK; CG-28 CHARCOAL
NORTHFIELD BLOCK COMPANY
MIDNIGHT GROUNDFACE | 12 SKYLIGHT |
| 2A BRICK VENEER - TYPE "A"
B O D: ENDICOTT CLAY PRODUCTS
MANGANESE IRONSPOT ARTESIAN MODULAF | 13 FRITTED GLAZING |
| 2B BRICK VENEER - TYPE "B"
B O D: SIOUX CITY BRICK
VINTAGE BROWN VELOUR
ALT: CAROLINA CERAMICS BRICK CO.
BLUE BLACK | 14 1/2 ANNEALED LAMINATED GLASS DISPLAY
CASE DOORS AND SIDE LIGHTS - ALT #5 |
| 2C BRICK VENEER - TYPE "C"
B O D: SIOUX CITY BRICK
MOUNTAIN SHADOW SMOOTH
ALT: ENDICOTT CLAY PRODUCTS
MEDIUM IRONSPOT 46 VELOUR | 15 HOLLOW METAL DOOR & FRAME
PAINTED; COLOR TO BE DETERMINED BY ARCHITECT. |
| 2D BRICK VENEER - MATCH EXISTING | 16 PREFINISHED GUTTER & DOWNSPOUT 3" X 4" SQUARE,
PAINTED; COLOR TO MATCH METAL PANELS |
| 2E EXISTING BRICK VENEER TO REMAIN
CLEAN AND REPOINT AS REQ'D.
RECAULK EXPANSION & CONTROL JOINTS | 17 CONCRETE CURB |
| 3A INSULATED VERTICAL, MULTI-COLORED
METAL PANEL W/ HORIZ. JOINT - MICRO RIB
B O D: KINGSPAN KS SERIES: KS 42 | 18 AREA DRAIN |
| 3B INSULATED VERTICAL SINGLE LENGTH,
SINGLE COLOR METAL PANEL - MICRO RIB
B O D: KINGSPAN KS SERIES: KS 42 | 19 CAST STONE WATER TABLE / SILL / BASE |
| 3C INSULATED HORIZONTAL METAL PANEL - FLAT
B O D: KINGSPAN KS SERIES: KS 36 | 20 EXPANSION JOINT |
| 4 CURTAINWALL SYSTEM | 21 4 1/2" DROP-IN GALV. STEEL BOLLARD (PTD. YELLOW) |
| 5 ALUMINUM STORE FRONT
WINDOW SYSTEM | 22 CAST STONE COPING |
| 6 NOT USED | 23 WOOD BENCH W/ GALVANIZED MET BRACKETS
@ 4'-0" O.C. |
| 7 OVERHEAD DOOR
B O D: COOKSON INSULATED EXT.
ROLLING DOOR | 24 ALUMINUM PLATE CLADDING SYSTEM |
| 8 SCREEN WALL (AL GRATING) - ALT # 1 & 2
REFER TO STRU DWGS | 25 PRE-FINISHED METAL COPING |
| 9 EXTERIOR GALVANIZED STL. STAIR (PTD.) | 26 EXTERIOR HOLLOW METAL DOOR W/
TRANSOM W/ INSULATED GLAZING |
| 10 HVAC LOUVER, SEE MECH. DWGS.
B O D: AIROLITE K6776; DRAINABLE BLADE LOUVER | 27 EXPANSION JOINT |
| 11 HVAC EQUIP. SEE MECH. DWGS.
SEE 1/A3.6.1 FOR CURB DETAILS | 28 12" W x 8" H OVERFLOW SCUPPER
SHOP FABRICATED 1/2" AL. SHEET
BY MET. PANEL MANUFACTURER |
| | 29 KNOCK OUT WALL |
| | 30 OVERFLOW DRAIN PIPE DISCHARGE COVER |
| | 31 PRE-FINISHED MET COPING BY CURTAIN WALL MFR |
| | 32 EXTERIOR LIGHTING - SEE ELECTRICAL DWGS |
| | 33 REINF. CONC. FOOTINGS, PILE CAPS & GRADE BEAMS
SEE STRU DWGS |
| | 34 42" HIGH PTD. GALVANIZED STEEL GUARD RAIL
SEE CIVIL DWGS |
| | 35 SEE BRICK DETAIL 3 / TED-A3.2.1.8 FOR BRICK DETAIL AT
SLOPED WALLS |
| | 36 NOT USED |
| | 37 ROW LOCK BRICK COPING |



EWING COLE

Federal Reserve Bank Building
100 North 6th Street
Philadelphia, PA 19106-1590
Tel: 215-923-2020 Fax: 215-574-0952

- INSULATED VERTICAL METAL PANEL
COLOR 1: CENTRIA 9946 SILVERSMITH
- INSULATED VERTICAL METAL PANEL
COLOR 2: CENTRIA 9957 SILVER
- INSULATED VERTICAL METAL PANEL
COLOR 3: CENTRIA 9962 XL SILVER GRAY
- INSULATED VERTICAL METAL PANEL
COLOR 4: CENTRIA 9960 XL MEDIUM GRAY



TECHNICAL ENGINEERING & DEVELOPMENT FACILITY (TEDF)

12000 JEFFERSON AVENUE, NEWPORT NEWS, VIRGINIA 23606

REV	ZONE	DESCRIPTION	APPR.	DATE
3		CCR NO. 15		06/27/11
		CONSOLIDATED SET		04/01/11
2		BULLETIN NO. 30		12/23/10
1		BULLETIN NO. 26		12/03/10
		TEDF TWO - FINAL		05/24/10

FACILITY USERS		FACILITIES & LOGISTICS	
APPROVED	DATE	DESIGNER	DATE
APPROVED	-	DRAWN	-
APPROVED	-	CHECKED	-
APPROVED	-	APPROVED	-

Jefferson Lab

TITLE: TED BUILDING EXTERIOR ELEVATIONS

SCALE	DRAWING NUMBER	SHEET	REV
1/8" = 1'-0"	100024-147-A129-STE	TED-A3.2.1.4	-

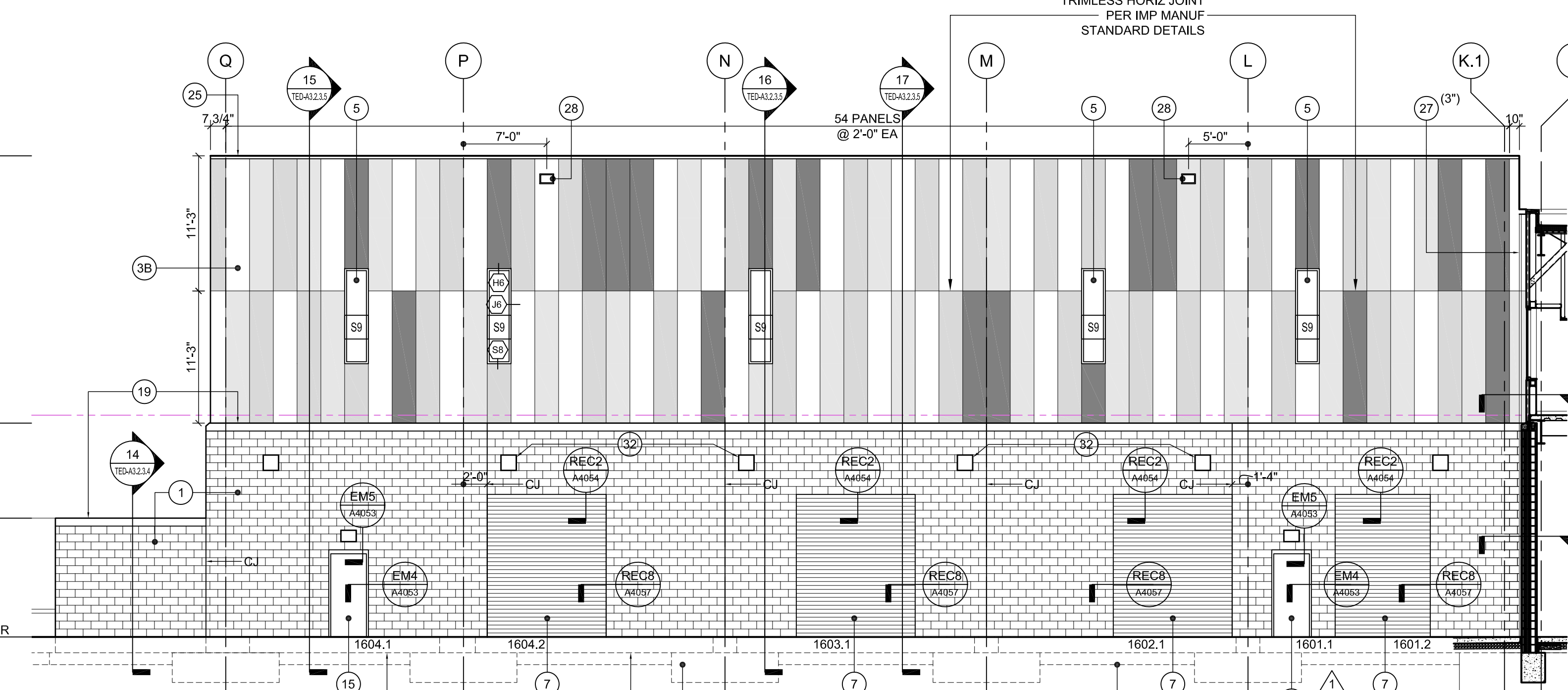
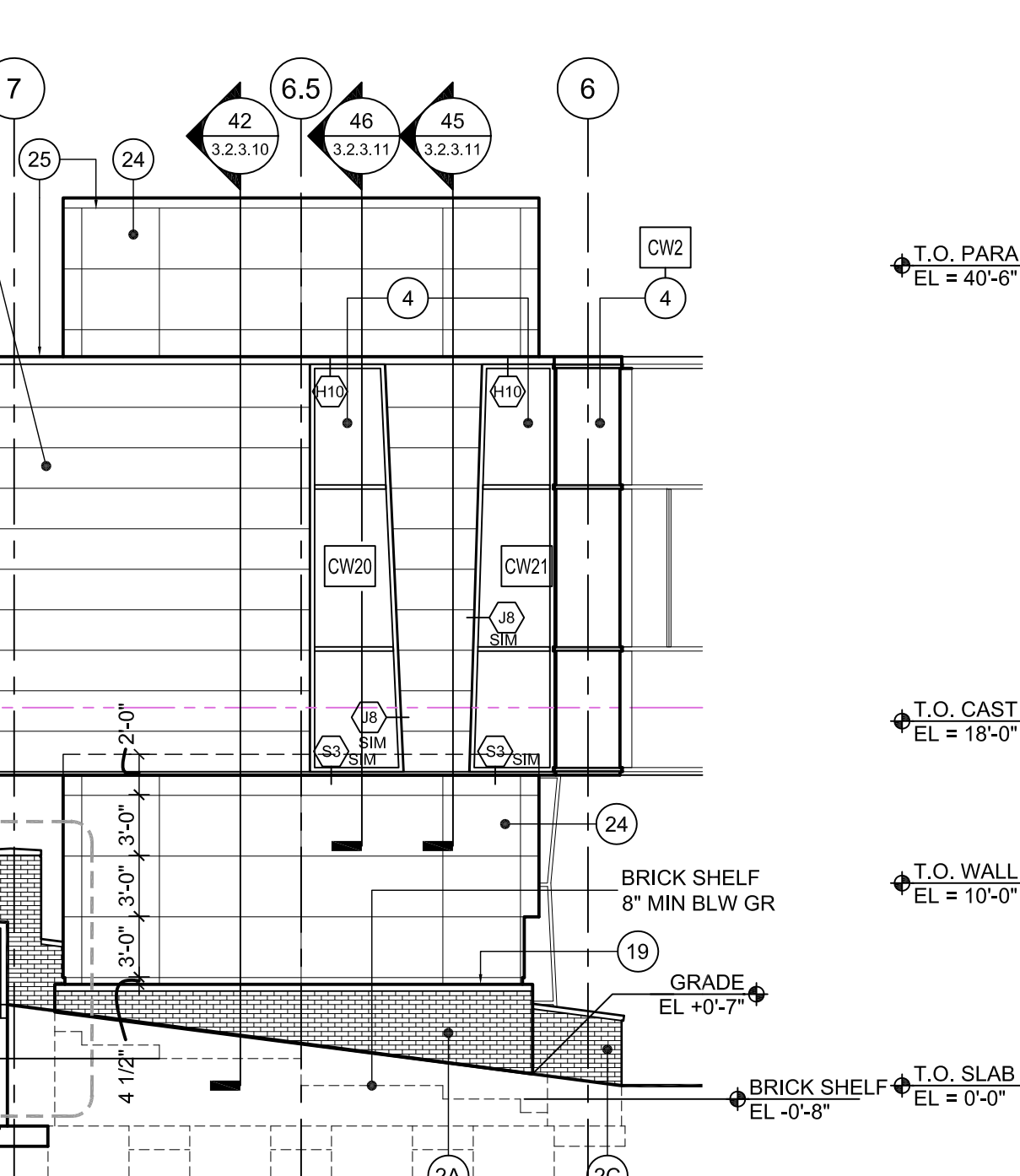
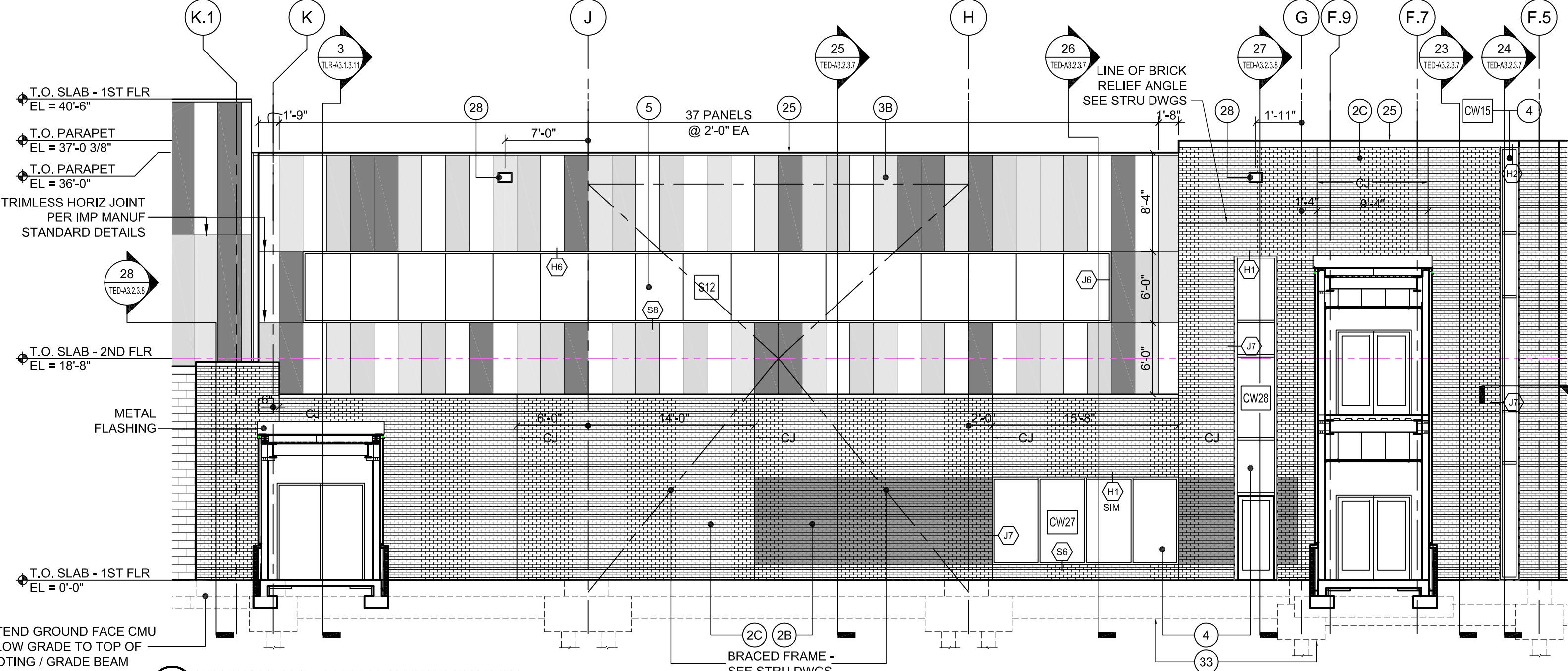
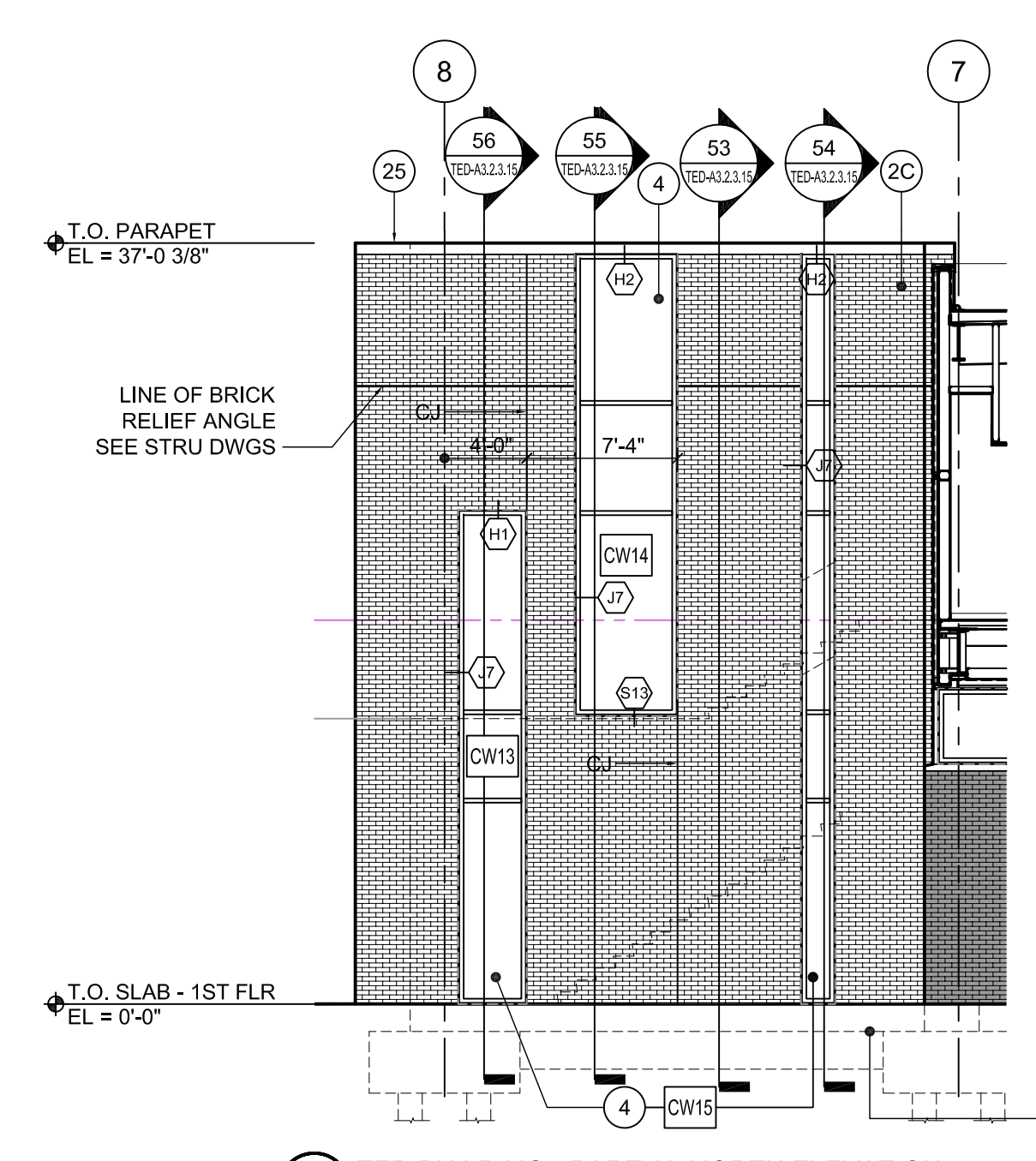
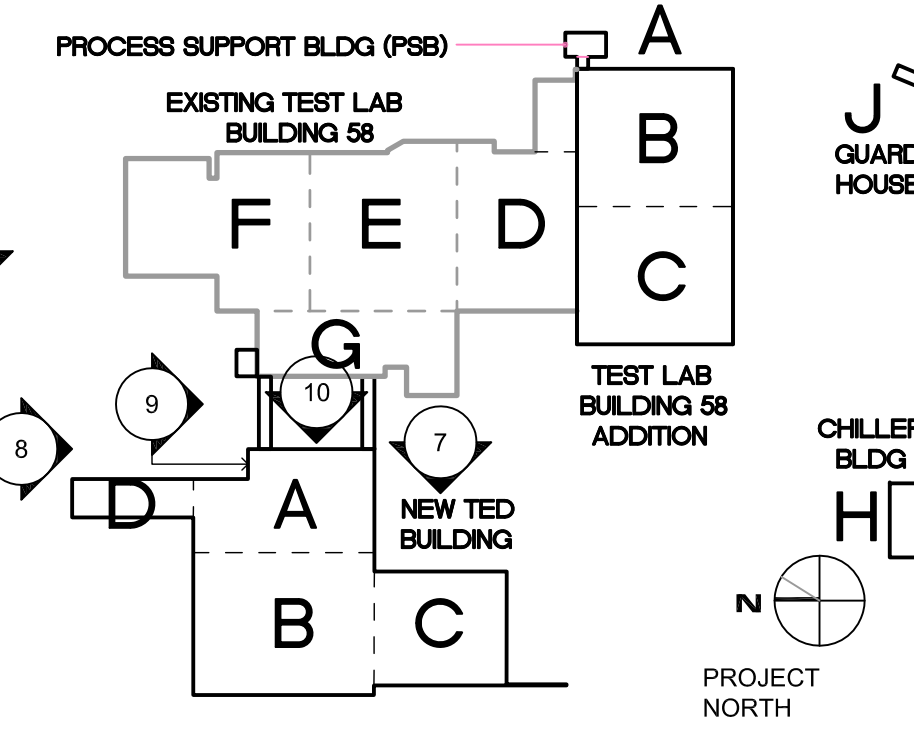
EXTERIOR MATERIAL LEGEND

- 1 GROUNDFACE CMU
B O D: CLAYTON ARCHITECTURAL
GROUND FACE BLOCK; CG-28 CHARCOAL
ALT: NORTHFIELD BLOCK COMPANY
MIDNIGHT GROUNDFACE
- 2A BRICK VENEER - TYPE "A"
B O D: ENDICOTT CLAY PRODUCTS
MANGANESE IRONSPOT ARTESIAN MODULAR
- 2B BRICK VENEER - TYPE "B"
B O D: SIOUX CITY BRICK
VINTAGE BROWN VELOUR
ALT: CAROLINA CERAMICS BRICK CO.
BLUE BLACK
- 2C BRICK VENEER - TYPE "C"
B O D: SIOUX CITY BRICK
MOUNTAIN SHADOW SMOOTH
ALT: ENDICOTT CLAY PRODUCTS
MEDIUM IRONSPOT 46 VELOUR
- 2D BRICK VENEER - MATCH EXISTING
- 2E EXISTING BRICK VENEER TO REMAIN
CLEAN AND REPOINT AS REQ'D.
RECAULK EXPANSION & CONTROL JOINTS
- 3A INSULATED VERTICAL, MULTI-COLORED
METAL PANEL W/ HORIZ. JOINT - MICRO RIB
B O D: KINGSPAN KS SERIES: KS 42
- 3B INSULATED VERTICAL SINGLE LENGTH,
SINGLE COLOR METAL PANEL - MICRO RIB
B O D: KINGSPAN KS SERIES: KS 42
- 3C INSULATED HORIZONTAL METAL PANEL - FLAT
B O D: KINGSPAN KS SERIES: KS 36
- 4 CURTAINWALL SYSTEM
- 5 ALUMINUM STORE FRONT
WINDOW SYSTEM
- 6 NOT USED
- 7 OVERHEAD DOOR
B O D: COOKSON INSULATED EXT.
ROLLING DOOR
- 8 SCREEN WALL (AL GRATING) - ALT # 1 & 2
REFER TO STRU DWGS
- 9 EXTERIOR GALVANIZED STL. STAIR (PTD.)
- 10 HVAC LOUVER, SEE MECH. DWGS.
B O D: AIRLITE K6776; DRAINABLE BLADE LOUVER
- 11 HVAC EQUIP. SEE MECH. DWGS.
SEE 1/A3.6.1 FOR CURB DETAILS
- 12 SKYLIGHT
- 13 FRITTED GLAZING
- 14 1/2 ANNEALED LAMINATED GLASS DISPLAY
CASE DOORS AND SIDE LIGHTS - ALT #5
- 15 HOLLOW METAL DOOR & FRAME
PAINTED; COLOR TO BE DETERMINED BY ARCHITECT.
- 16 PREFINISHED GUTTER & DOWNSPOUT 3" X 4" SQUARE,
PAINTED; COLOR TO MATCH METAL PANELS
- 17 CONCRETE CURB
- 18 AREA DRAIN
- 19 CAST STONE WATER TABLE / SILL / BASE
- 20 EXPANSION JOINT
- 21 1/2" DROP-IN GALV. STEEL BOLLARD (PTD. YELLOW)
- 22 CAST STONE COPING
- 23 WOOD BENCH W/ GALVINIZED MET BRACKETS
@ 4'-0" O.C.
- 24 ALUMINUM PLATE CLADDING SYSTEM
- 25 PRE-FINISHED METAL COPING
- 26 EXTERIOR HOLLOW METAL DOOR W/
TRANSOM W/ INSULATED GLAZING
- 27 EXPANSION JOINT
- 28 12" W X 8" H OVERFLOW SCUPPER
SHOP FABRICATED 1/8" AL. SHEET
BY MET. PANEL MANUFACTURER
- 29 KNOCK OUT WALL
- 30 OVERFLOW DRAIN PIPE DISCHARGE COVER
- 31 PRE-FINISHED MET COPING BY CURTAIN WALL MFR
- 32 EXTERIOR LIGHTING - SEE ELECTRICAL DWGS
- 33 REINF. CONC. FOOTINGS, PILE CAPS & GRADE BEAMS
SEE STRU DWGS
- 34 42" HIGH PTD. GALVANIZED STEEL GUARD RAIL
SEE CIVIL DWGS
- 35 SEE BRICK DETAIL 3 / TED-A3.2.1.8 FOR BRICK DETAIL AT
SLOPED WALLS
- 36 NOT USED
- 37 ROW LOCK BRICK COPING

EWING COLE

Federal Reserve Bank Building
100 North 6th Street
Philadelphia, PA 19106-1590
Tel: 215-923-2020 Fax: 215-574-0952

- INSULATED VERTICAL METAL PANEL
COLOR 1: CENTRIA 9946 SILVERSMITH
- INSULATED VERTICAL METAL PANEL
COLOR 2: CENTRIA 9957 SILVER
- INSULATED VERTICAL METAL PANEL
COLOR 3: CENTRIA 9962 XL SILVER GRAY
- INSULATED VERTICAL METAL PANEL
COLOR 4: CENTRIA 9960 XL MEDIUM GRAY



TECHNICAL ENGINEERING & DEVELOPMENT FACILITY (TEDF)

12000 JEFFERSON AVENUE, NEWPORT NEWS, VIRGINIA 23606

2	CCR NO. 15	06/27/11
	CONSOLIDATED SET	04/01/11
1	BULLETIN NO. 30	12/23/10
	TEDF TWO - FINAL	05/24/10

REVISIONS		FACILITY USERS		FACILITIES & LOGISTICS	
APPROVED	DATE	DESIGNER	DATE		
APPROVED	-	DRAWN	-		
APPROVED	-	CHECKED	-		
APPROVED	-	APPROVED	-		



TITLE: TED BUILDING EXTERIOR ELEVATIONS

SCALE	DRAWING NUMBER	SHEET	REV
1/8" = 1'-0"	100024-148-A130-STE	TED-A3.2.1.5	-

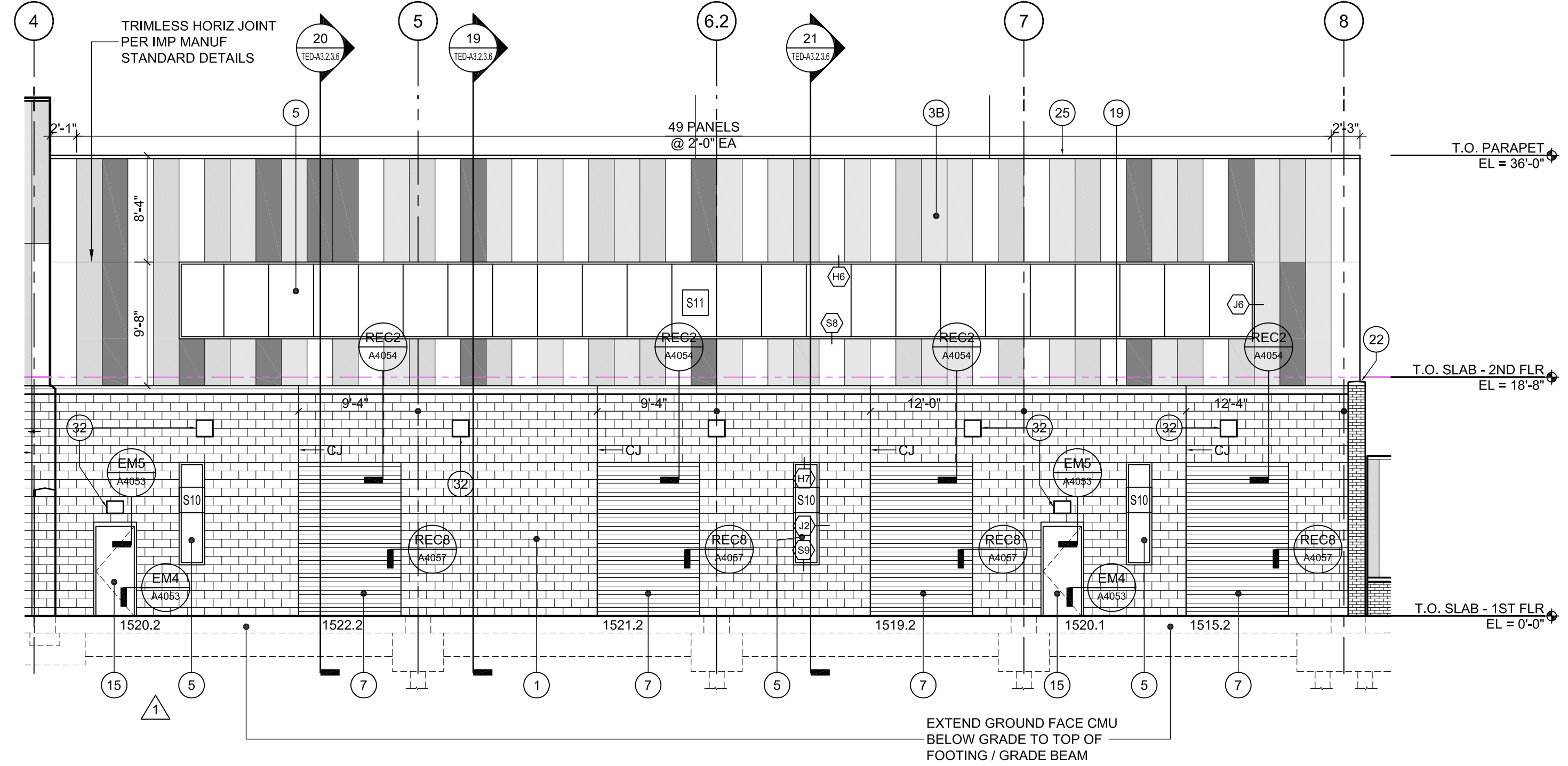
1 2 3 4 5 6

A

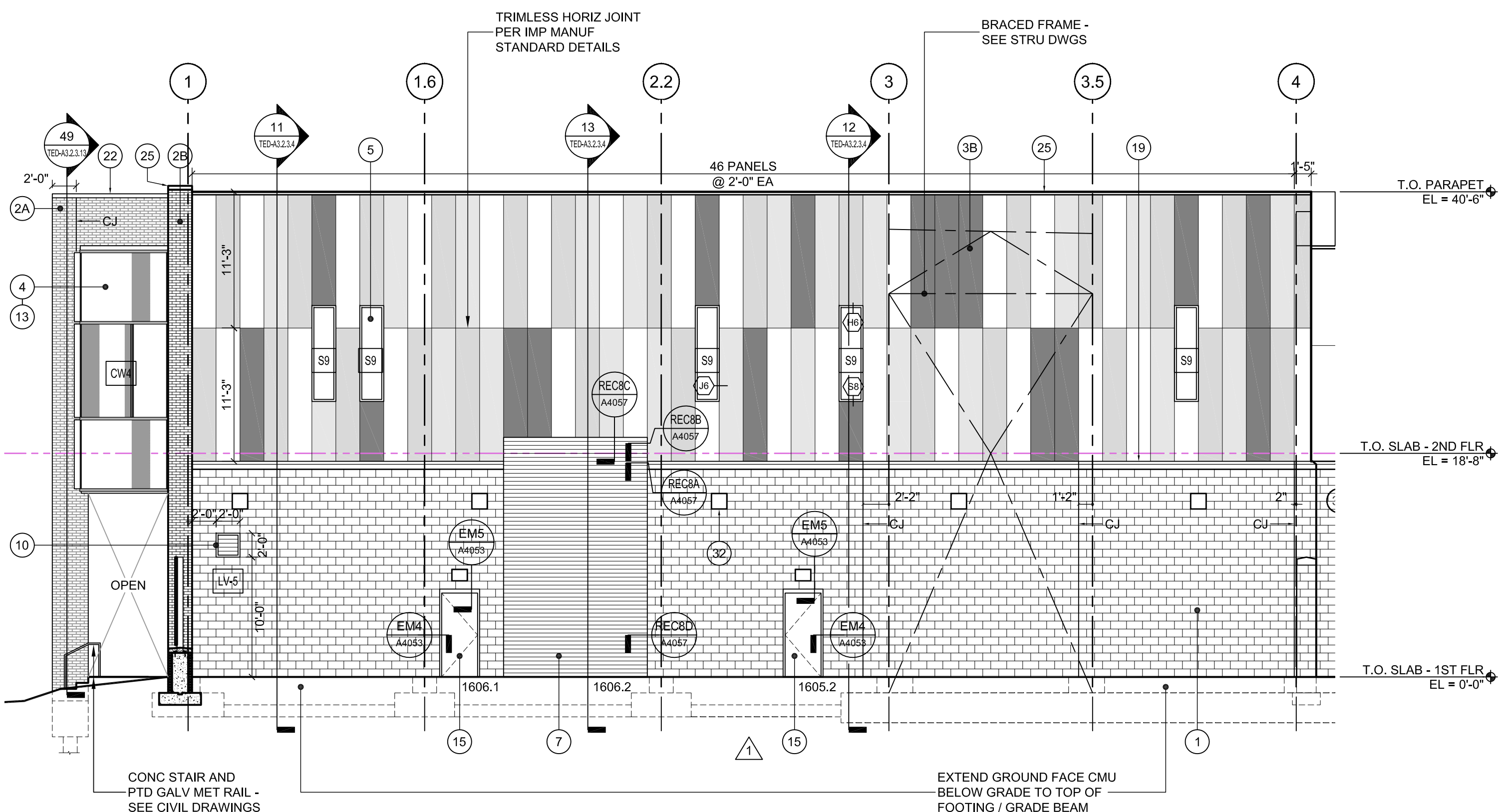
B

C

D



12 TED BUILDING - PARTIAL SOUTH ELEVATION
1/8" = 1'-0"

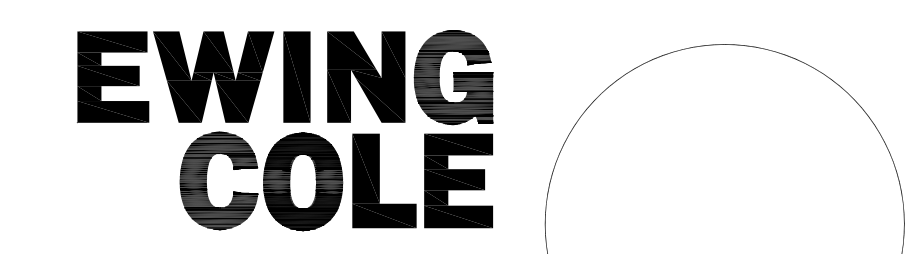


11 TED BUILDING - PARTIAL SOUTH ELEVATION
1/8" = 1'-0"

1 2 3 4 5 6

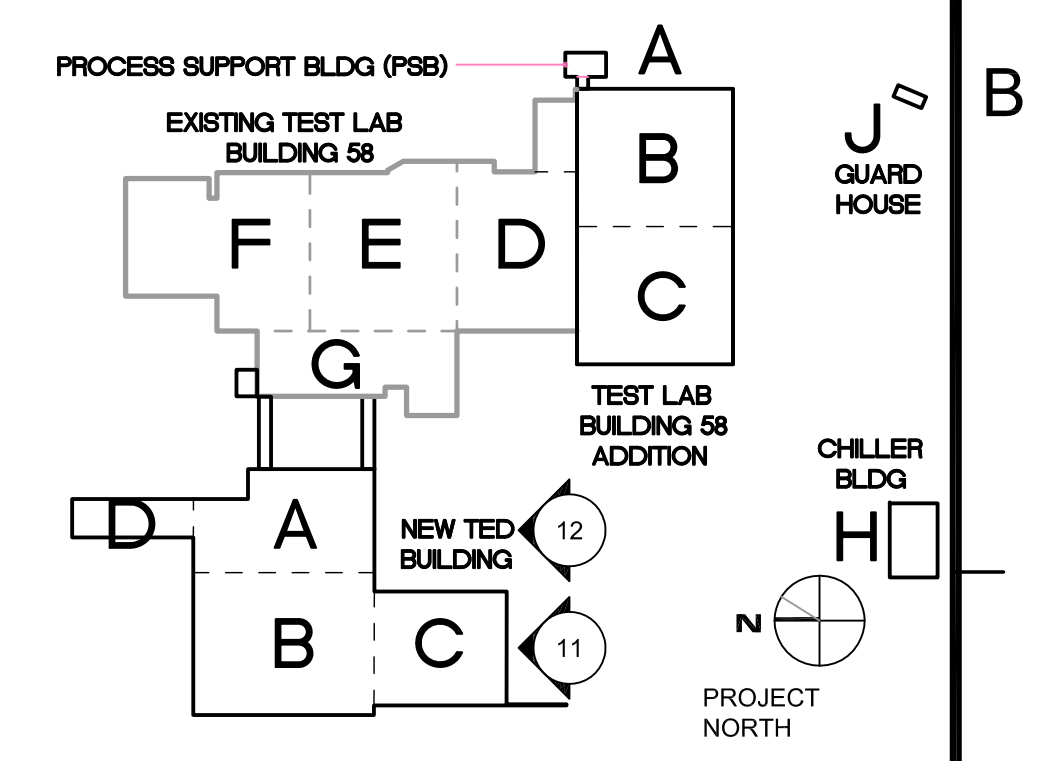
EXTERIOR MATERIAL LEGEND

- 1 GROUNDFACE CMU
B O D: CLAYTON ARCHITECTURAL
GROUND FACE BLOCK; CG-28 CHARCOAL
ALT: NORTHFIELD BLOCK COMPANY
MIDNIGHT GROUNDFACE
- 2A BRICK VENEER - TYPE "A"
B O D: ENDICOTT CLAY PRODUCTS
MANGANESE IRONSPOT ARTESIAN MODULAR
- 2B BRICK VENEER - TYPE "B"
B O D: SIOUX CITY BRICK
VINTAGE BROWN VELOUR
ALT: CAROLINA CERAMICS BRICK CO.
BLUE BLACK
- 2C BRICK VENEER - TYPE "C"
B O D: SIOUX CITY BRICK
MOUNTAIN SHADOW SMOOTH
ALT: ENDICOTT CLAY PRODUCTS
MEDIUM IRONSPOT 46 VELOUR
- 2D BRICK VENEER - MATCH EXISTING
- 2E EXISTING BRICK VENEER TO REMAIN
CLEAN AND REPOINT AS REQ'D.
RECAULK EXPANSION & CONTROL JOINTS
- 3A INSULATED VERTICAL, MULTI-COLORED
METAL PANEL W/ HORIZ. JOINT - MICRO RIB
B O D: KINGSPAN KS SERIES: KS 42
- 3B INSULATED VERTICAL SINGLE LENGTH,
SINGLE COLOR METAL PANEL - MICRO RIB
B O D: KINGSPAN KS SERIES: KS 42
- 3C INSULATED HORIZONTAL METAL PANEL - FLAT
B O D: KINGSPAN KS SERIES: KS 36
- 4 CURTAINWALL SYSTEM
- 5 ALUMINUM STORE FRONT
WINDOW SYSTEM
- 6 NOT USED
- 7 OVERHEAD DOOR
B O D: COOKSON INSULATED EXT.
ROLLING DOOR
- 8 SCREEN WALL (AL GRATING) - ALT # 1 & 2
REFER TO STRU DWGS
- 9 EXTERIOR GALVANIZED STL. STAIR (PTD.)
- 10 HVAC LOUVER, SEE MECH. DWGS.
B O D: AIRLITE K6776; DRAINABLE BLADE LOUVER
- 11 HVAC EQUIP. SEE MECH. DWGS.
SEE 1/A3.6.1 FOR CURB DETAILS
- 12 SKYLIGHT
- 13 FRITTED GLAZING
- 14 1/2" ANNEALED LAMINATED GLASS DISPLAY
CASE DOORS AND SIDE LIGHTS - ALT #5
- 15 HOLLOW METAL DOOR & FRAME
PAINTED; COLOR TO BE DETERMINED BY ARCHITECT.
- 16 PREFINISHED GUTTER & DOWNSPOUT 3" X 4" SQUARE,
PAINTED; COLOR TO MATCH METAL PANELS
- 17 CONCRETE CURB
- 18 AREA DRAIN
- 19 CAST STONE WATER TABLE / SILL / BASE
- 20 EXPANSION JOINT
- 21 4 1/2" Ø DROP-IN GALV. STEEL BOLLARD (PTD. YELLOW)
- 22 CAST STONE COPING
- 23 WOOD BENCH W/ GALVANIZED MET BRACKETS
@ 4'-0" O.C.
- 24 ALUMINUM PLATE CLADDING SYSTEM
- 25 PRE-FINISHED METAL COPING
- 26 EXTERIOR HOLLOW METAL DOOR W/
TRANSOM W/ INSULATED GLAZING
- 27 EXPANSION JOINT
- 28 12" W x 8" H OVERFLOW SCUPPER
SHOP FABRICATED 1/2" AL. SHEET
BY MET. PANEL MANUFACTURER
- 29 KNOCK OUT WALL
- 30 OVERFLOW DRAIN PIPE DISCHARGE COVER
- 31 PRE-FINISHED MET COPING BY CURTAIN WALL MFR
- 32 EXTERIOR LIGHTING - SEE ELECTRICAL DWGS
REINF. CONC. FOOTINGS, PILE CAPS & GRADE BEAMS
SEE STRU DWGS
- 33 42" HIGH PTD. GALVANIZED STEEL GUARD RAIL
SEE CIVIL DWGS
- 34 SEE BRICK DETAIL 3 / TED-A3.2.1.8 FOR BRICK DETAIL AT
SLOPED WALLS
- 36 NOT USED
- 37 ROW LOCK BRICK COPING



Federal Reserve Bank Building
100 North 6th Street
Philadelphia, PA 19106-1590
Tel: 215-923-2020 Fax: 215-574-0952

- INSULATED VERTICAL METAL PANEL
COLOR 1: CENTRIA 9946 SILVERSMITH
- INSULATED VERTICAL METAL PANEL
COLOR 2: CENTRIA 9957 SILVER
- INSULATED VERTICAL METAL PANEL
COLOR 3: CENTRIA 9962 XL SILVER GRAY
- INSULATED VERTICAL METAL PANEL
COLOR 4: CENTRIA 9960 XL MEDIUM GRAY



TECHNICAL ENGINEERING &
DEVELOPMENT FACILITY
(TEDF)

12000 JEFFERSON AVENUE, NEWPORT NEWS, VIRGINIA 23606

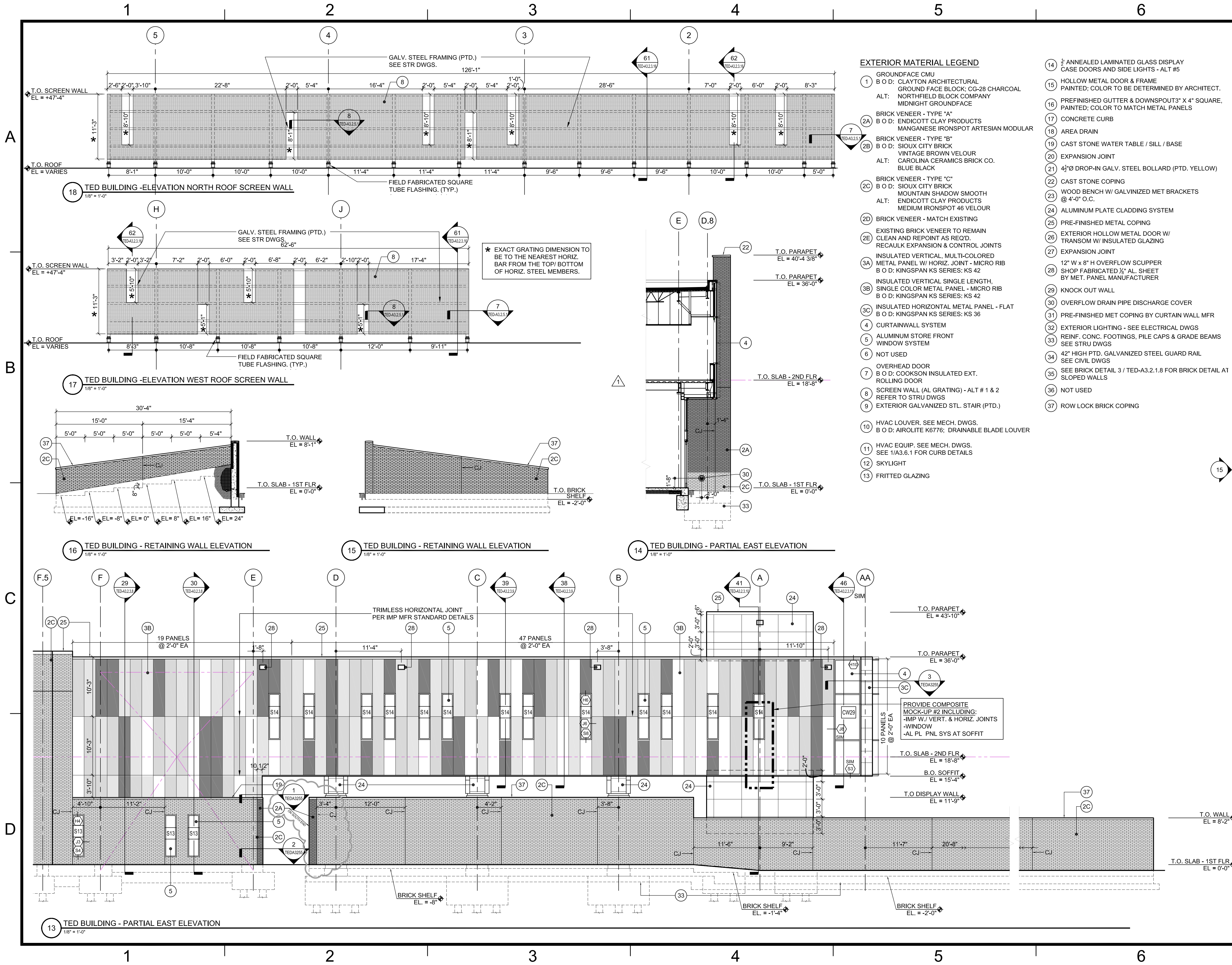
2	CCR NO. 15	06/27/11		
	CONSOLIDATED SET	04/01/11		
1	BULLETIN NO. 30	12/23/10		
	TEDF TWO - FINAL	05/24/10		
REV	ZONE	DESCRIPTION	APPR.	DATE

FACILITY USERS		FACILITIES & LOGISTICS	
APPROVED	DATE	DESIGNER	DATE
APPROVED	-	DRAWN	-
APPROVED	-	CHECKED	-
APPROVED	-	APPROVED	-



TITLE:
TED BUILDING
EXTERIOR ELEVATIONS

SCALE	DRAWING NUMBER	SHEET	REV
1/8" = 1'-0"	100024-149-A131-STE	TED-A3.2.1.6	-



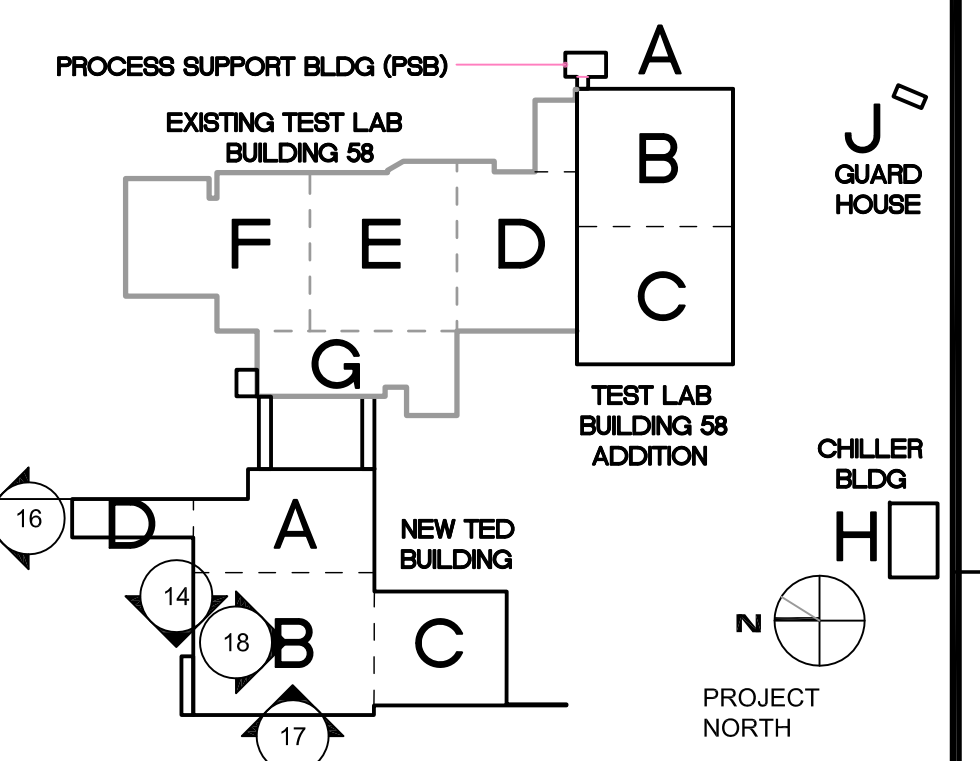
EXTERIOR MATERIAL LEGEND

- 1 GROUNDFAÇE CMU
B O D: CLAYTON ARCHITECTURAL
GROUND FAÇE BLOCK; CG-28 CHARCOAL
NORTHFIELD BLOCK COMPANY
MIDNIGHT GROUNDFAÇE
- 2A BRICK VENEER - TYPE "A"
B O D: ENDICOTT CLAY PRODUCTS
MANGANESE IRONSPOT ARTESIAN MODULAR
- 2B BRICK VENEER - TYPE "B"
B O D: SIOUX CITY BRICK
VINTAGE BROWN VELOUR
CAROLINA CERAMICS BRICK CO.
BLUE BLACK
- 2C BRICK VENEER - TYPE "C"
B O D: SIOUX CITY BRICK
MOUNTAIN SHADOW SMOOTH
ENDICOTT CLAY PRODUCTS
MEDIUM IRONSPOT 46 VELOUR
- 2D BRICK VENEER - MATCH EXISTING
- 2E EXISTING BRICK VENEER TO REMAIN
CLEAN AND REPOINT AS REQ'D.
RECAULK EXPANSION & CONTROL JOINTS
- 3A INSULATED VERTICAL, MULTI-COLORED
METAL PANEL W/ HORIZ. JOINT - MICRO RIB
B O D: KINGSPAN KS SERIES: KS 42
- 3B INSULATED VERTICAL SINGLE LENGTH,
SINGLE COLOR METAL PANEL - MICRO RIB
B O D: KINGSPAN KS SERIES: KS 42
- 3C INSULATED HORIZONTAL METAL PANEL - FLAT
B O D: KINGSPAN KS SERIES: KS 36
- 4 CURTAINWALL SYSTEM
- 5 ALUMINUM STORE FRONT
WINDOW SYSTEM
- 6 NOT USED
- 7 OVERHEAD DOOR
B O D: COOKSON INSULATED EXT.
ROLLING DOOR
- 8 SCREEN WALL (AL GRATING) - ALT # 1 & 2
REFER TO STRU DWGS
- 9 EXTERIOR GALVANIZED STL. STAIR (PTD.)
- 10 HVAC LOUVER. SEE MECH. DWGS.
B O D: AIROLITE K6776; DRAINABLE BLADE LOUVER
- 11 HVAC EQUIP. SEE MECH. DWGS.
SEE 1/A3.6.1 FOR CURB DETAILS
- 12 SKYLIGHT
- 13 FRITTED GLAZING
- 14 1/2" ANNEALED LAMINATED GLASS DISPLAY
CASE DOORS AND SIDE LIGHTS - ALT #5
- 15 HOLLOW METAL DOOR & FRAME
PAINTED; COLOR TO BE DETERMINED BY ARCHITECT.
- 16 PREFINISHED GUTTER & DOWNSPOUT 3" X 4" SQUARE,
PAINTED; COLOR TO MATCH METAL PANELS
- 17 CONCRETE CURB
- 18 AREA DRAIN
- 19 CAST STONE WATER TABLE / SILL / BASE
- 20 EXPANSION JOINT
- 21 4 1/2" Ø DROP-IN GALV. STEEL BOLLARD (PTD. YELLOW)
- 22 CAST STONE COPING
- 23 WOOD BENCH W/ GALVANIZED MET BRACKETS
@ 4'-0" O.C.
- 24 ALUMINUM PLATE CLADDING SYSTEM
- 25 PRE-FINISHED METAL COPING
- 26 EXTERIOR HOLLOW METAL DOOR W/
TRANSOM W/ INSULATED GLAZING
- 27 EXPANSION JOINT
- 28 12" W x 8" H OVERFLOW SCUPPER
SHOP FABRICATED 1/2" AL. SHEET
BY MET. PANEL MANUFACTURER
- 29 KNOCK OUT WALL
- 30 OVERFLOW DRAIN PIPE DISCHARGE COVER
- 31 PRE-FINISHED MET COPING BY CURTAIN WALL MFR
- 32 EXTERIOR LIGHTING - SEE ELECTRICAL DWGS
- 33 REINF. CONC. FOOTINGS, PILE CAPS & GRADE BEAMS
SEE STRU DWGS
- 34 42" HIGH PTD. GALVANIZED STEEL GUARD RAIL
SEE CIVIL DWGS
- 35 SEE BRICK DETAIL 3 / TED-A3.2.1.8 FOR BRICK DETAIL AT
SLOPED WALLS
- 36 NOT USED
- 37 ROW LOCK BRICK COPING

EWING COLE

Federal Reserve Bank Building
100 North 6th Street
Philadelphia, PA 19106-1590
Tel: 215-923-2020 Fax: 215-574-0952

- INSULATED VERTICAL METAL PANEL
COLOR 1: CENTRIA 9946 SILVERSMITH
- INSULATED VERTICAL METAL PANEL
COLOR 2: CENTRIA 9957 SILVER
- INSULATED VERTICAL METAL PANEL
COLOR 3: CENTRIA 9962 XL SILVER GRAY
- INSULATED VERTICAL METAL PANEL
COLOR 4: CENTRIA 9960 XL MEDIUM GRAY



TECHNICAL ENGINEERING & DEVELOPMENT FACILITY (TEDF)

12000 JEFFERSON AVENUE, NEWPORT NEWS, VIRGINIA 23606

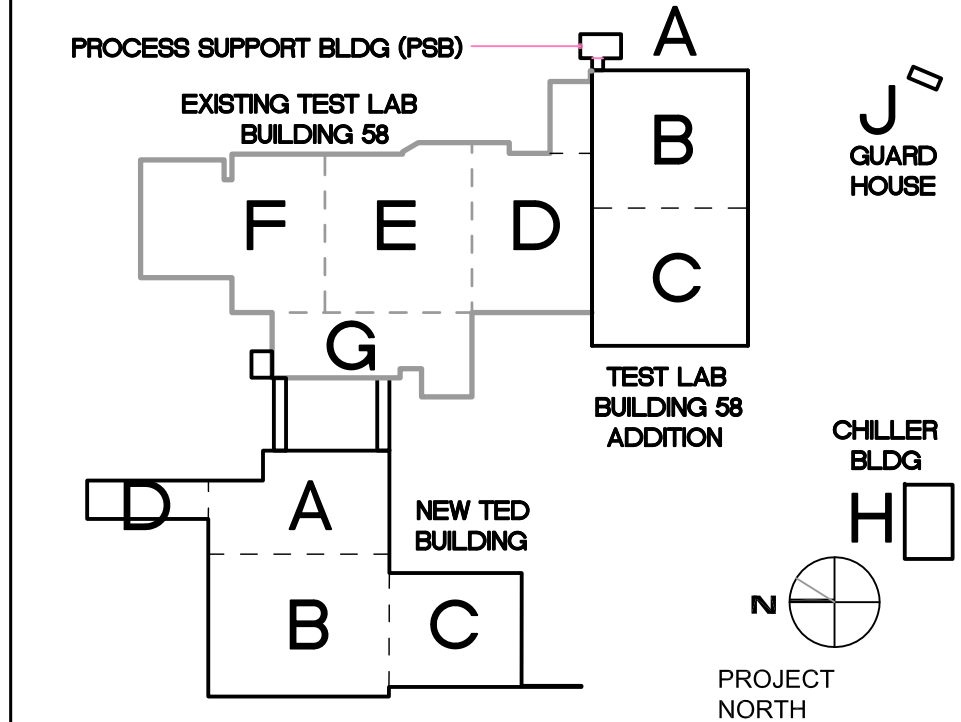
2	CCR NO. 15	06/27/11
	CONSOLIDATED SET	04/01/11
1	BULLETIN NO. 26	12/03/10
	TEDF TWO - FINAL	05/24/10

REVISIONS		FACILITY USERS	FACILITIES & LOGISTICS
APPROVED	DATE	DESIGNER	DATE
APPROVED	-	DRAWN	-
APPROVED	-	CHECKED	-
APPROVED	-	APPROVED	-

Jefferson Lab

TITLE: TED BUILDING EXTERIOR ELEVATIONS

SCALE	DRAWING NUMBER	SHEET	REV
1/8" = 1'-0"	100024-150-A132-STE	TED-A3.2.1.7	-



TECHNICAL ENGINEERING & DEVELOPMENT FACILITY (TEDF)

12000 JEFFERSON AVENUE, NEWPORT NEWS, VIRGINIA 23606

2	CCR NO. 15	06/27/11
	CONSOLIDATED SET	04/01/11
1	BULLETIN NO. 33	03/04/11
	TEDF TWO - FINAL	05/24/10

FACILITY USERS		FACILITIES & LOGISTICS	
APPROVED	DATE	DESIGNER	DATE
APPROVED	-	DRAWN JK	-
APPROVED	-	CHECKED	-
APPROVED	-	APPROVED	-

Jefferson Lab

TITLE: TED BUILDING SECTION DETAILS			
SCALE 3" = 1'-0"	DRAWING NUMBER 100024-178-A160-STE	SHEET TED-A3.2.4.1	REV -

1 2 3 4 5 6

A

B

C

D

6 SECTION DETAIL H4
3" = 1'-0"

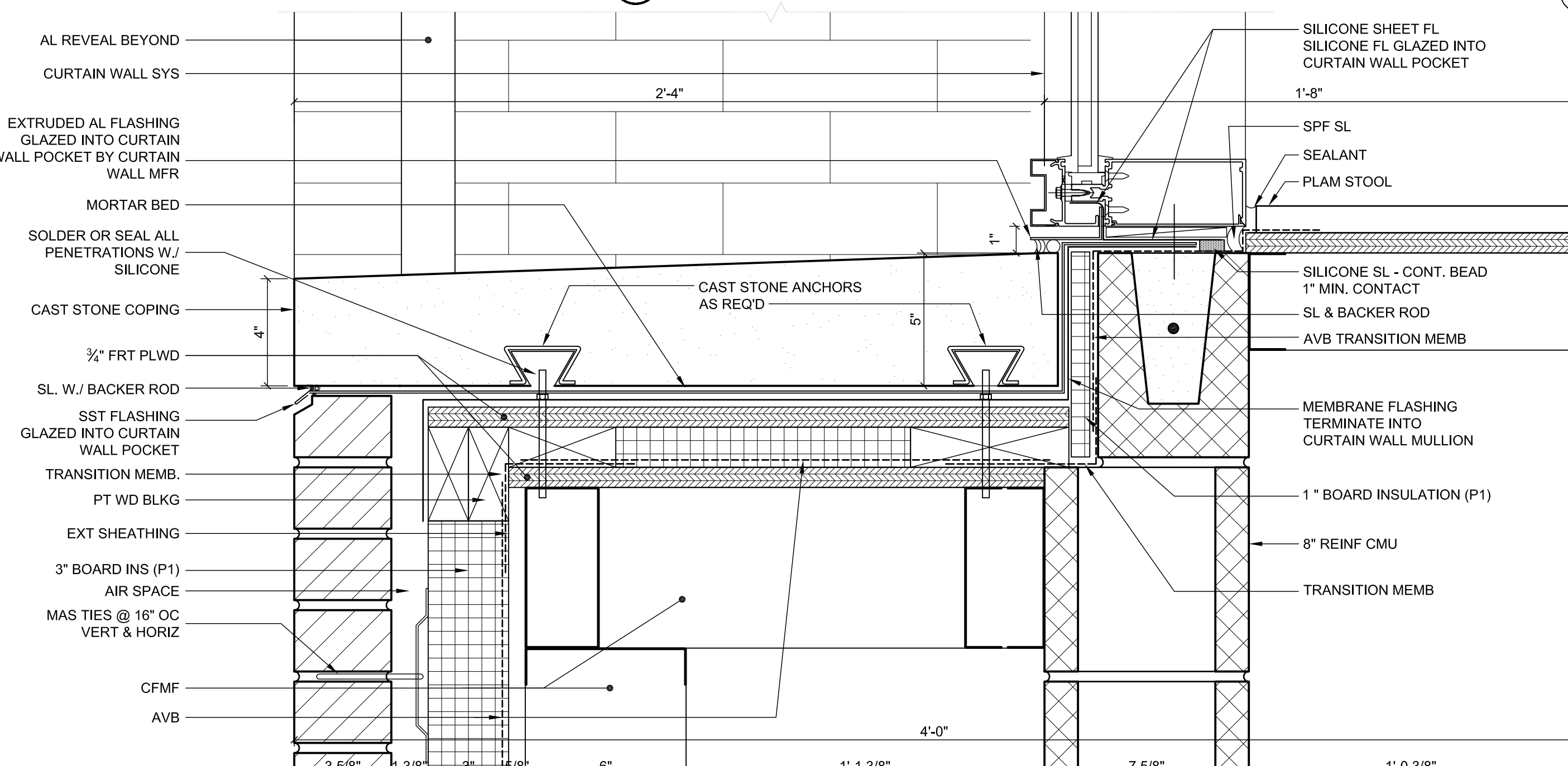
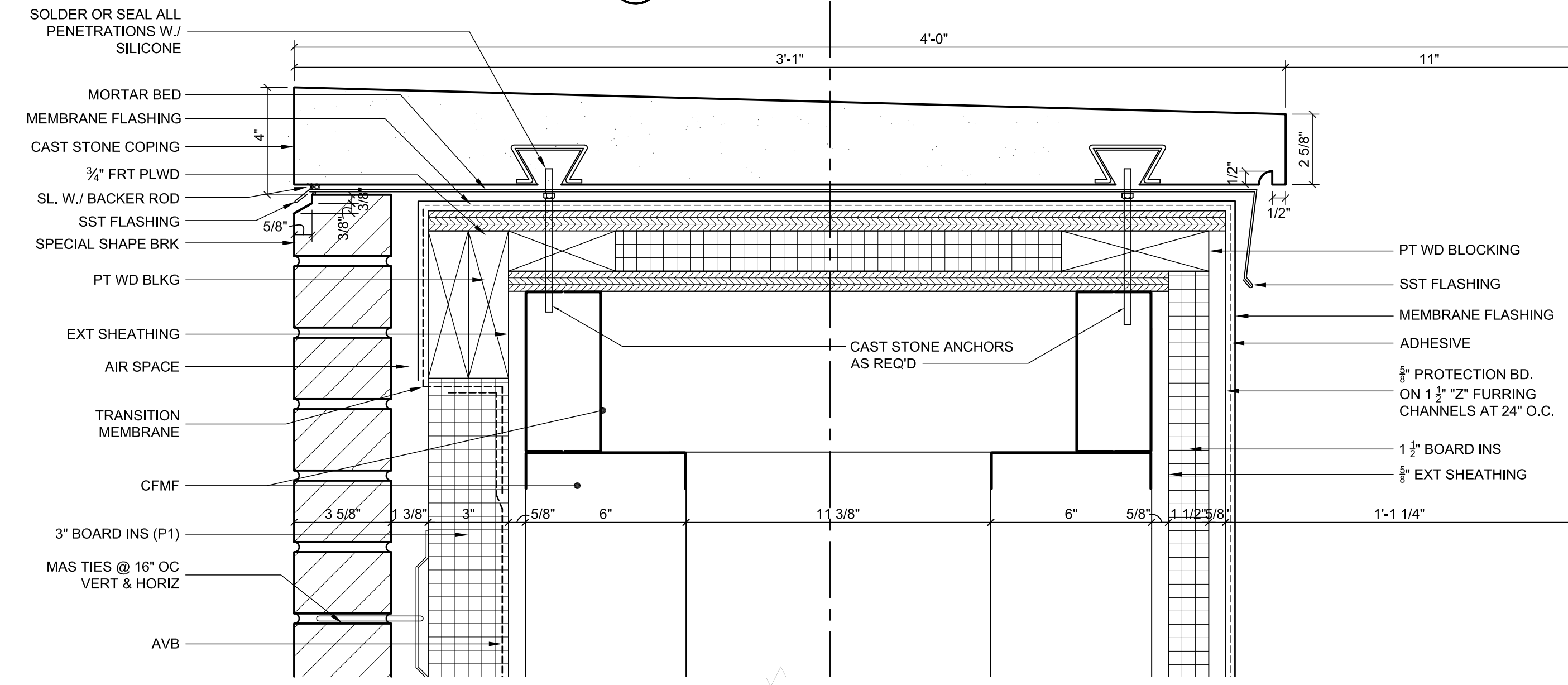
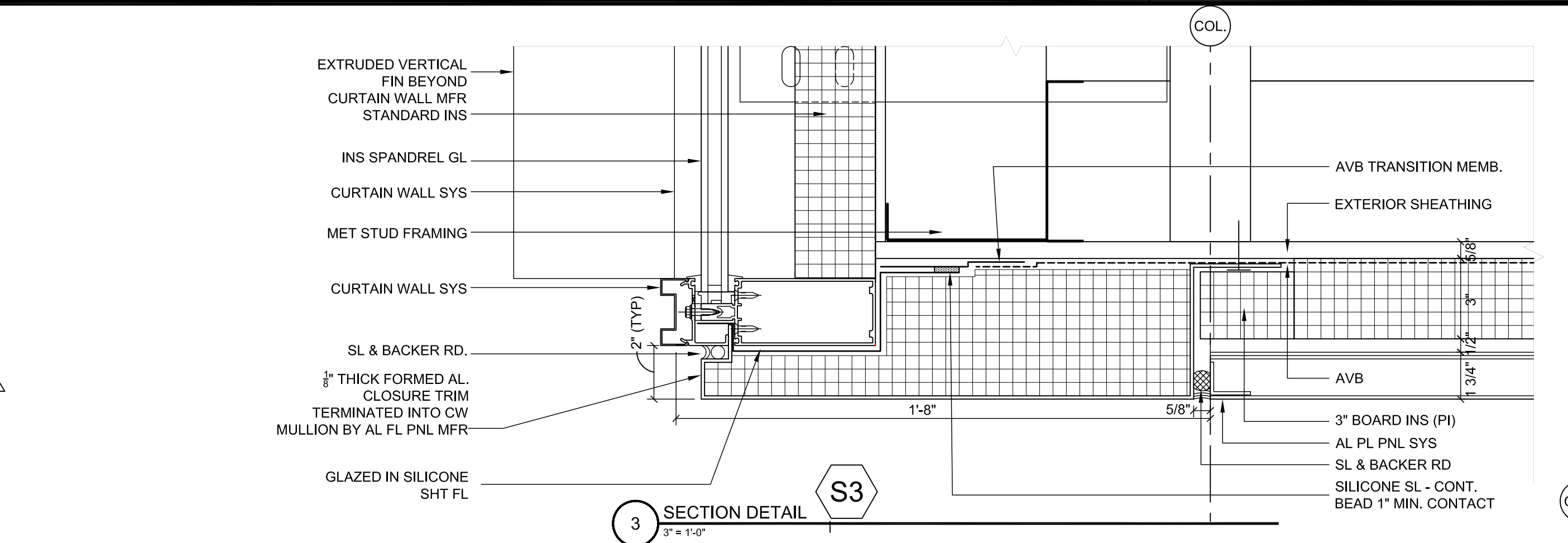
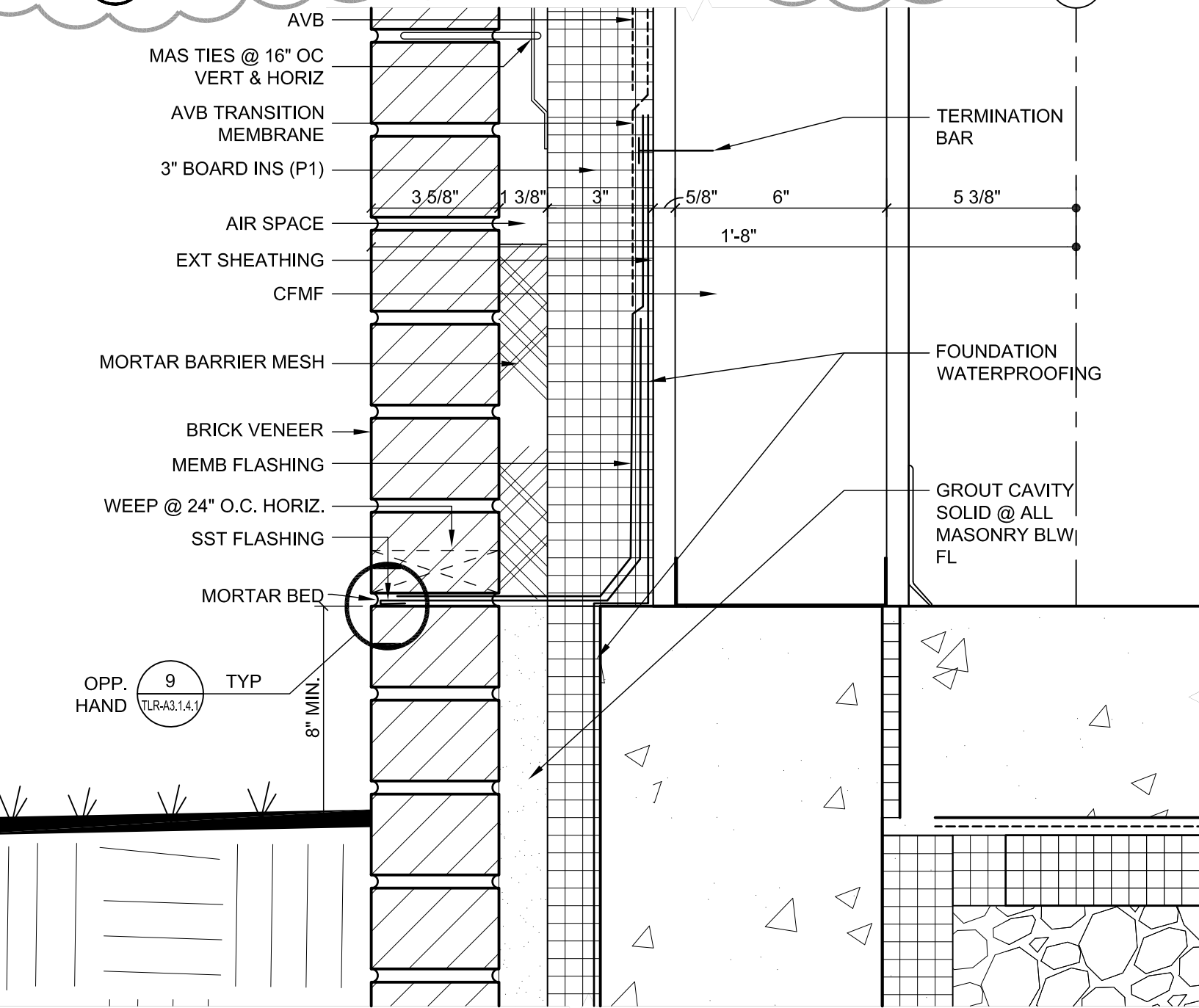
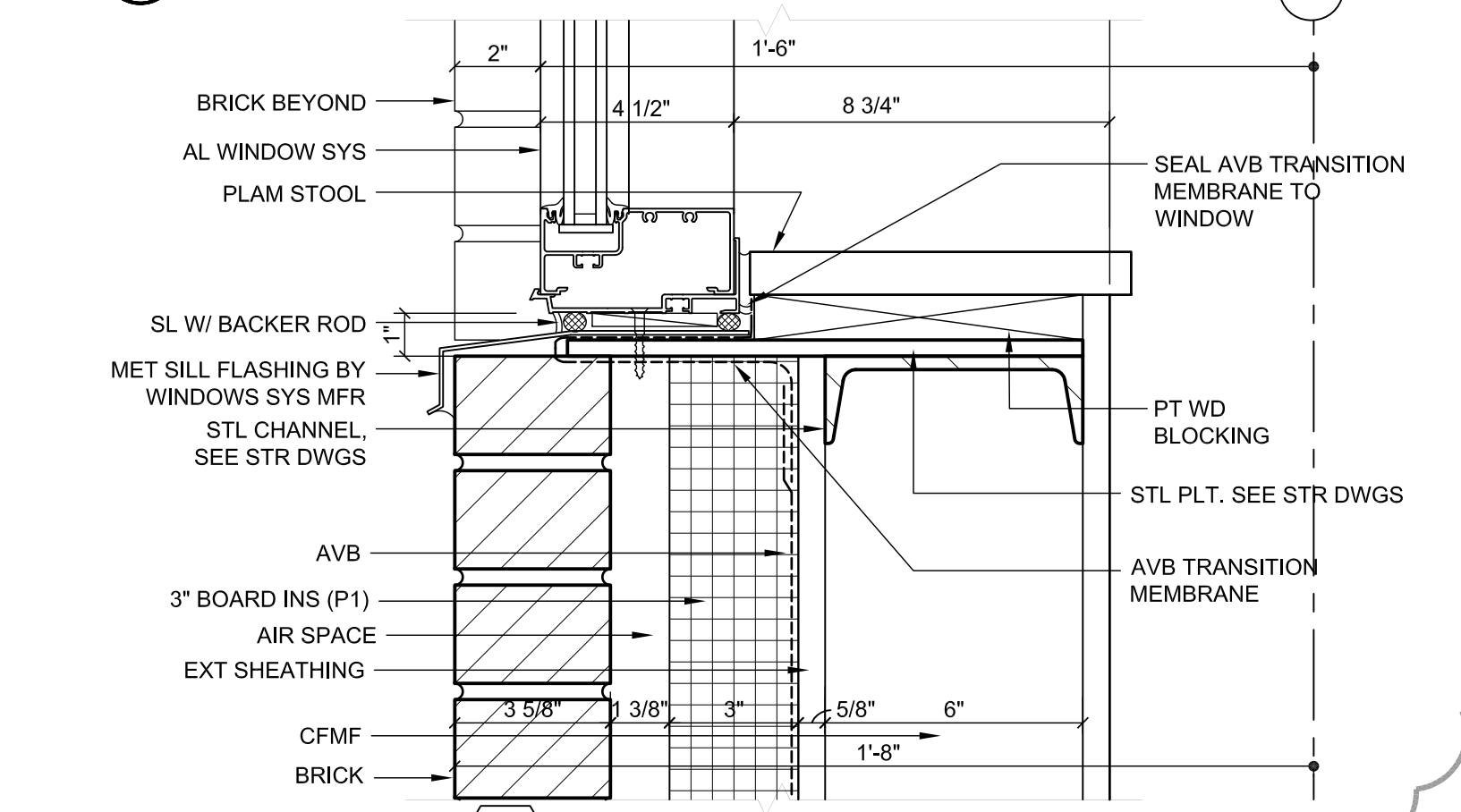
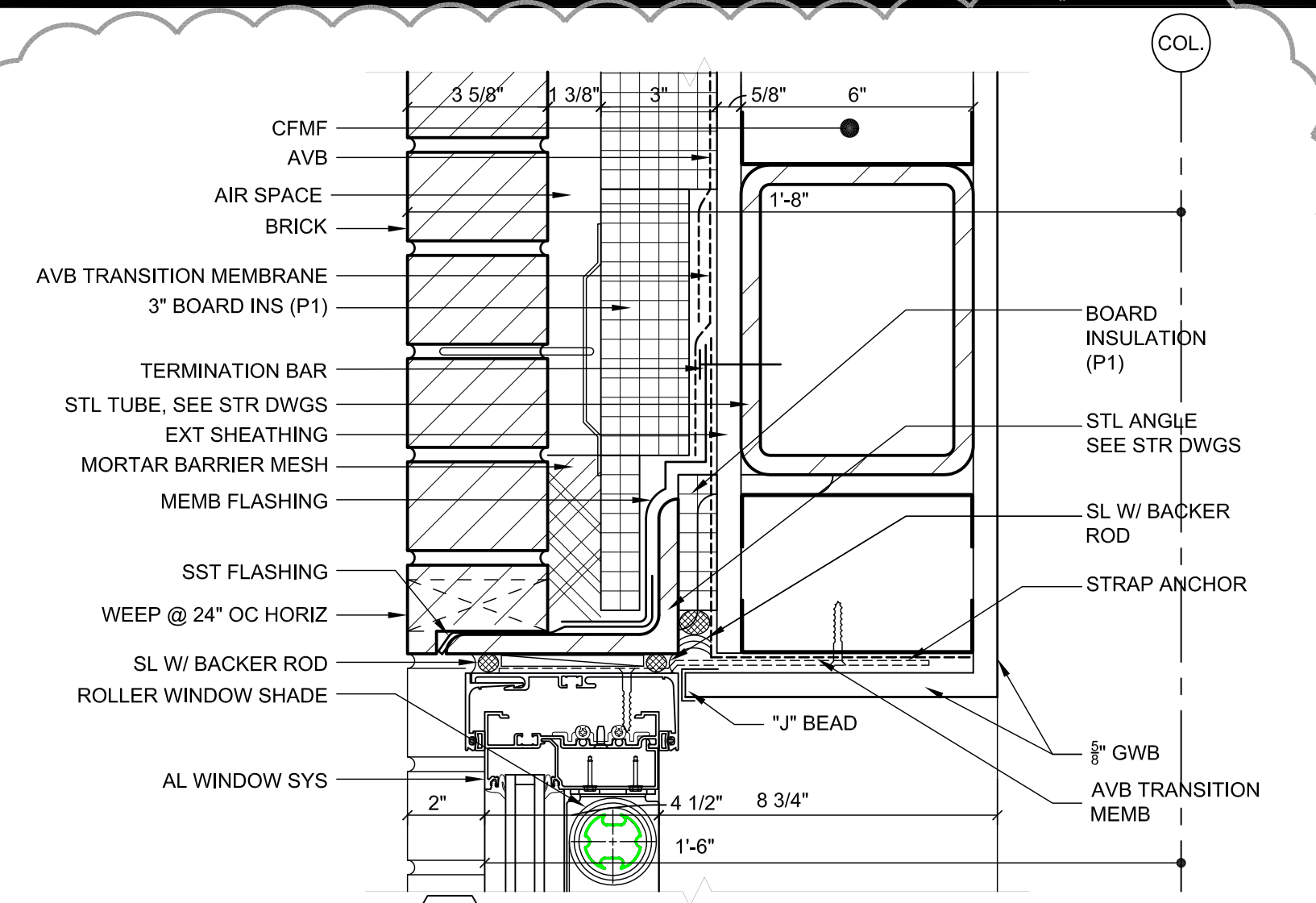
5 SECTION DETAIL S4
3" = 1'-0"

4 SECTION DETAIL
3" = 1'-0"

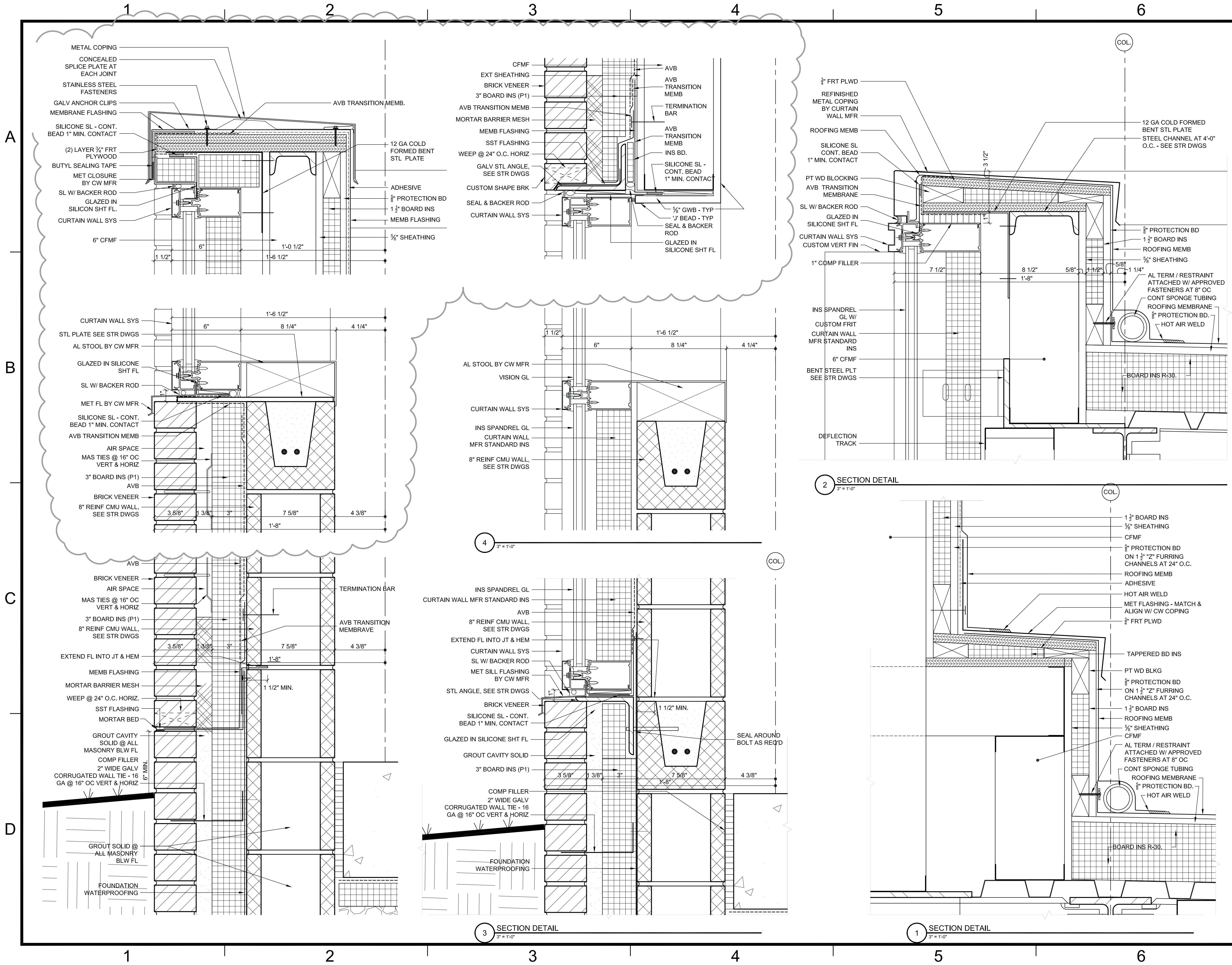
3 SECTION DETAIL S3
3" = 1'-0"

2 SECTION DETAIL
3" = 1'-0"

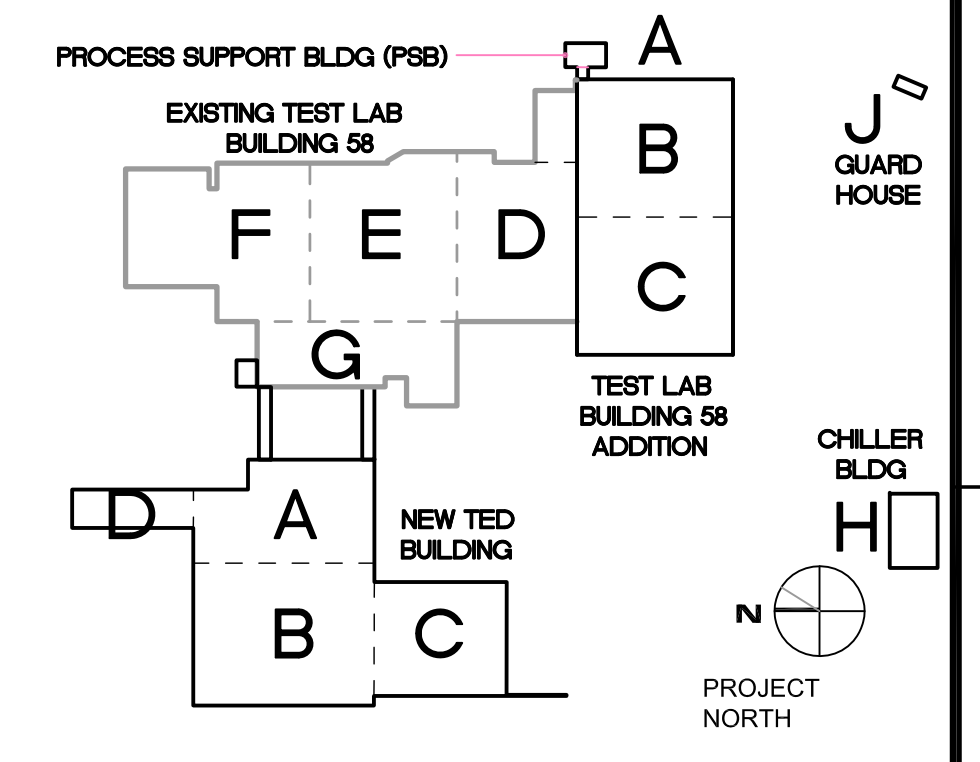
1 SECTION DETAIL S5
3" = 1'-0"



1 2 3 4 5 6



EWING COLE
 Federal Reserve Bank Building
 100 North 6th Street
 Philadelphia, PA 19106-1590
 Tel: 215-923-2020 Fax: 215-574-0952



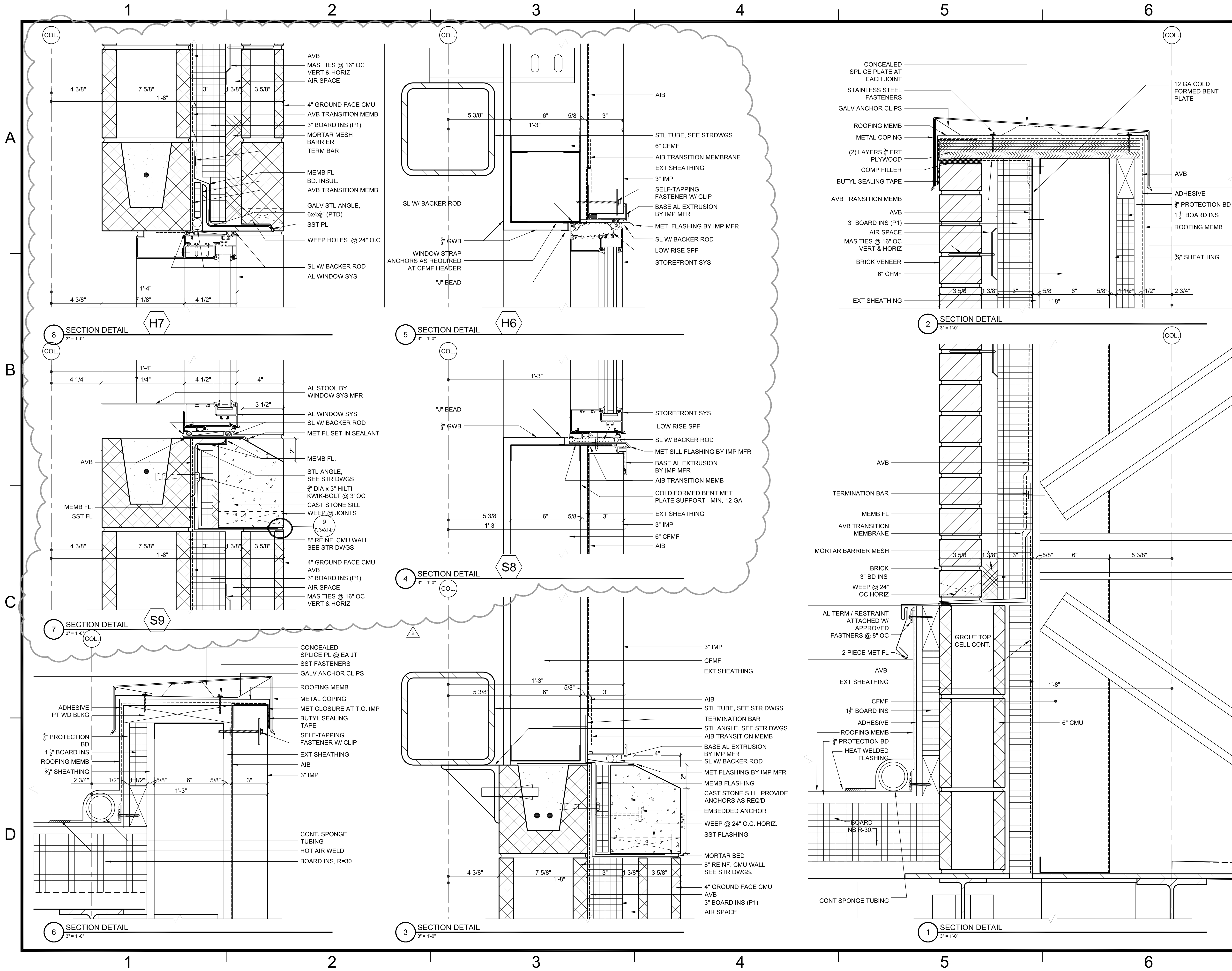
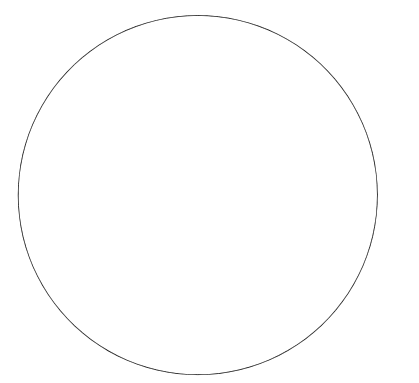
TECHNICAL ENGINEERING & DEVELOPMENT FACILITY (TEDF)
 12000 JEFFERSON AVENUE, NEWPORT NEWS, VIRGINIA 23606

REV	ZONE	DESCRIPTION	APPR.	DATE
REVISIONS				
FACILITY USERS		FACILITIES & LOGISTICS		
APPROVED	DATE	DESIGNER	DATE	
APPROVED	-	DRAWN JK	-	
APPROVED	-	CHECKED	-	
APPROVED	-	APPROVED	-	

Jefferson Lab

TITLE: **TED BUILDING SECTION DETAILS**

SCALE	DRAWING NUMBER	SHEET	REV
3" = 1'-0"	100024-178-A161-STE	TED-A3.2.4.2	-



TECHNICAL ENGINEERING & DEVELOPMENT FACILITY (TEDF)

12000 JEFFERSON AVENUE, NEWPORT NEWS, VIRGINIA 23606

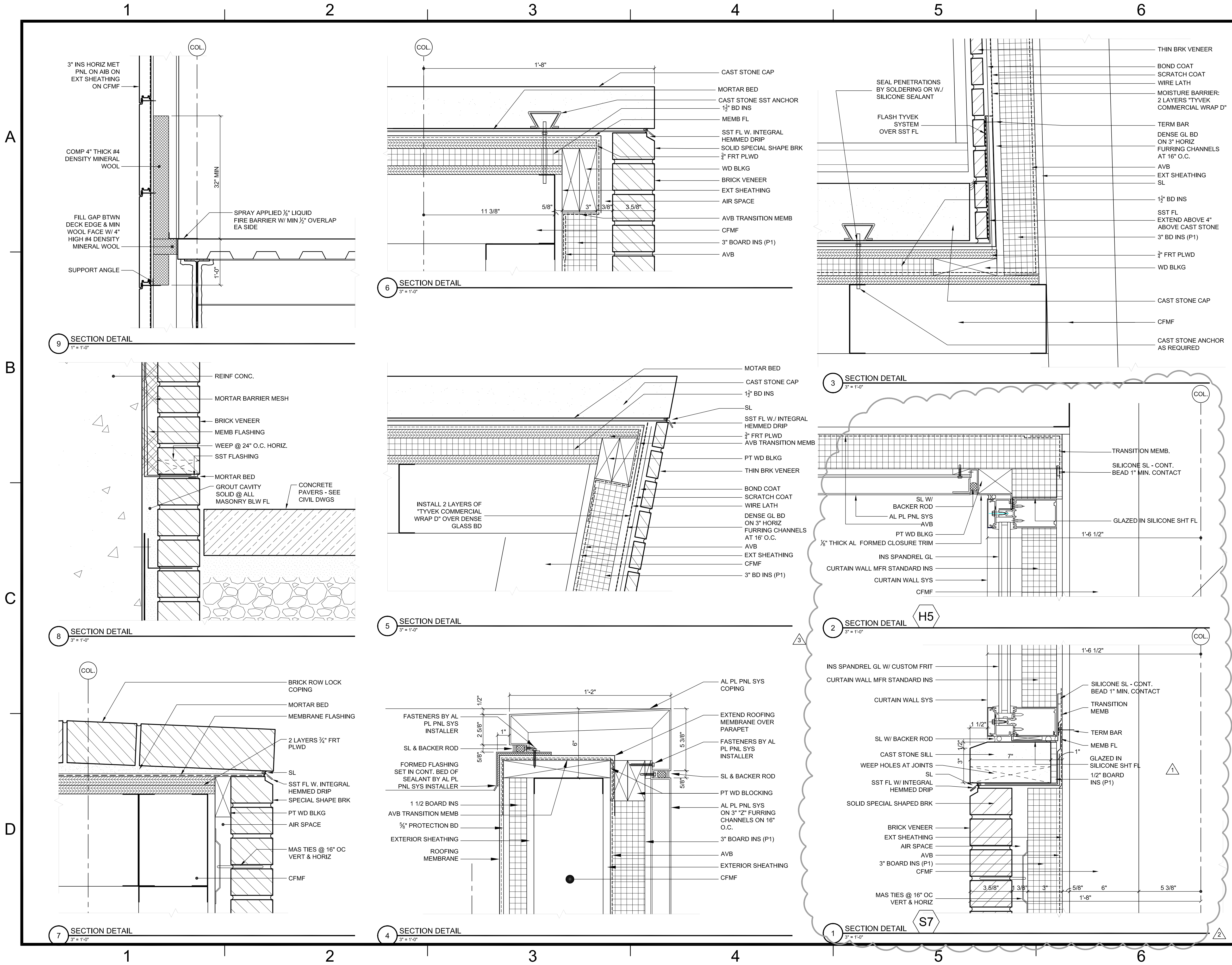
2	CCR NO. 15	06/27/11		
	CONSOLIDATED SET	04/01/11		
1	BULLETIN NO. 33	03/04/11		
	TEDF TWO - FINAL	05/24/10		
REV	ZONE	DESCRIPTION	APPR.	DATE

FACILITY USERS		FACILITIES & LOGISTICS	
APPROVED	DATE	DESIGNER	DATE
APPROVED	-	DRAWN JK	-
APPROVED	-	CHECKED	-
APPROVED	-	APPROVED	-

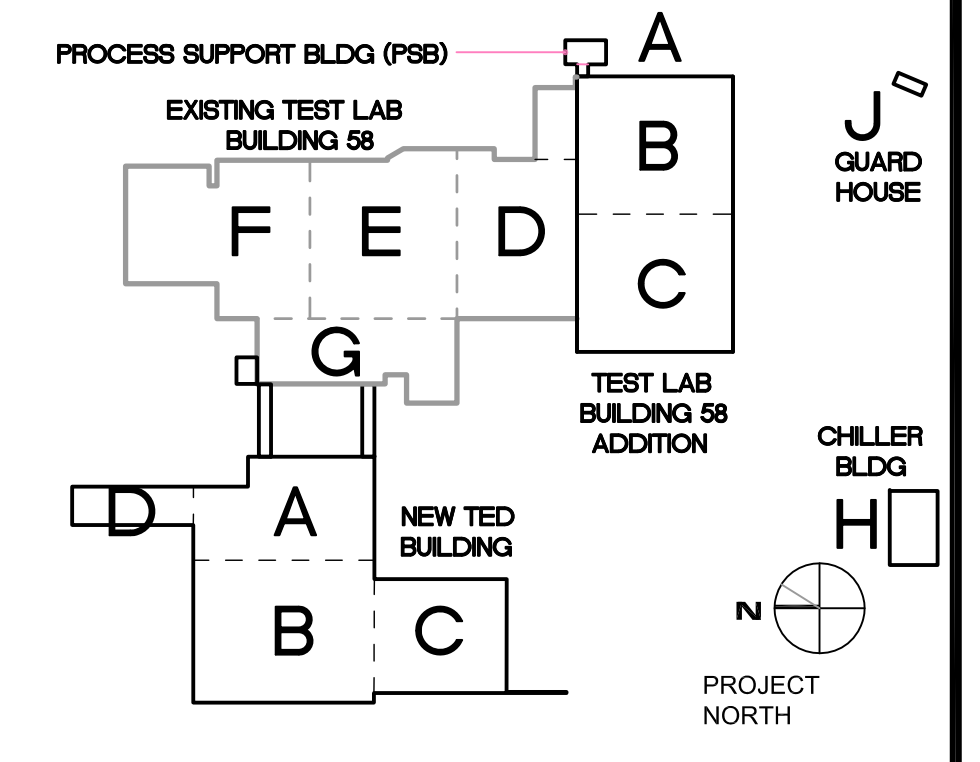


TITLE: TED BUILDING SECTION DETAILS

SCALE	DRAWING NUMBER	SHEET	REV
3" = 1'-0"	100024-180-A162-STE	TED-A3.2.4.3	-



EWING COLE
 Federal Reserve Bank Building
 100 North 6th Street
 Philadelphia, PA 19106-1590
 Tel: 215-923-2020 Fax: 215-574-0952



TECHNICAL ENGINEERING & DEVELOPMENT FACILITY (TEDF)
 12000 JEFFERSON AVENUE, NEWPORT NEWS, VIRGINIA 23606

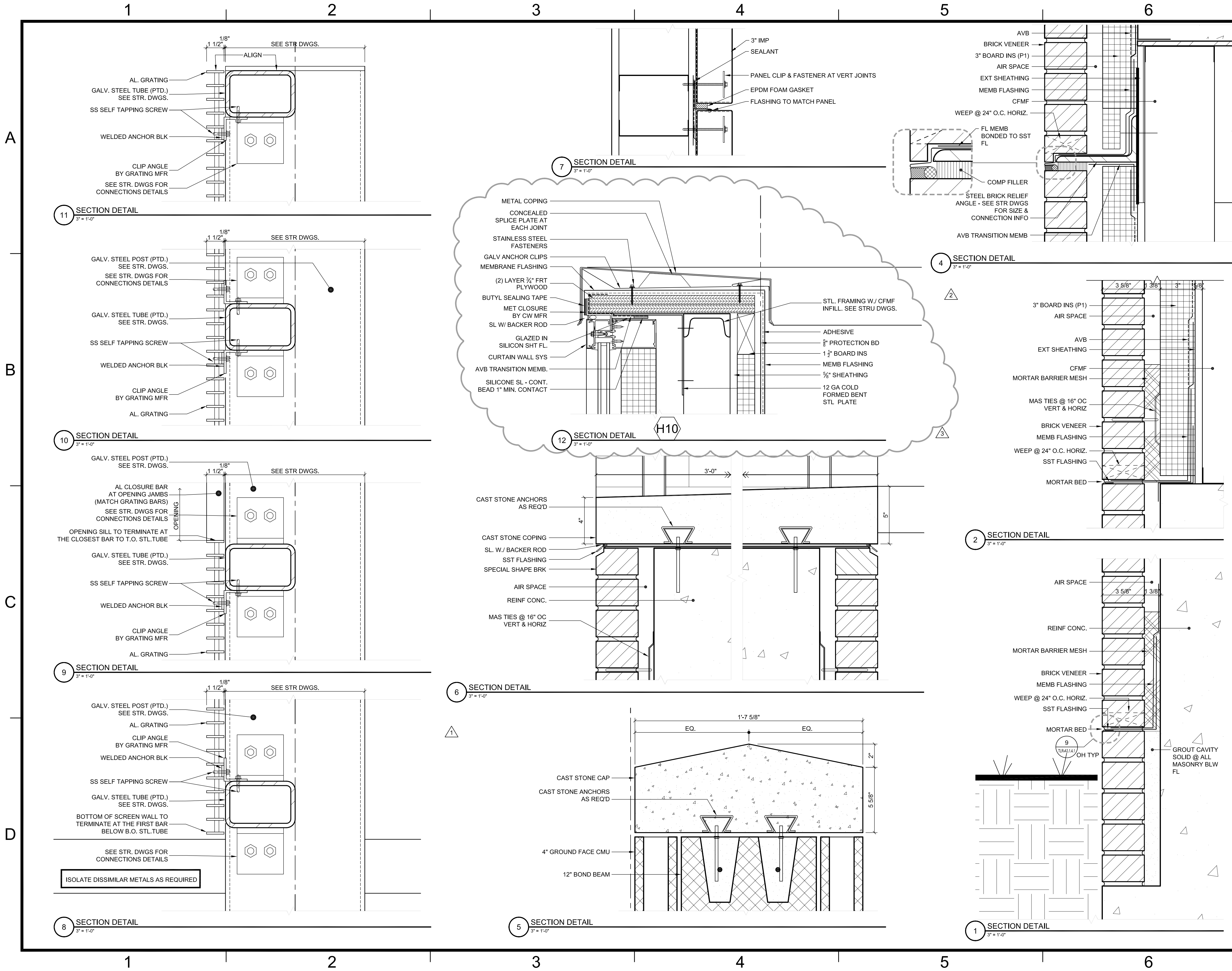
REV	ZONE	DESCRIPTION	APPR.	DATE
3		CCR NO. 15		06/27/11
		CONSOLIDATED SET		04/01/11
2		BULLETIN NO. 33		03/04/11
1		BULLETIN NO. 30		12/23/10
		TEDF TWO - FINAL		05/24/10

FACILITY USERS		FACILITIES & LOGISTICS	
APPROVED	DATE	DESIGNER	DATE
APPROVED	-	DRAWN JK	-
APPROVED	-	CHECKED	-
APPROVED	-	APPROVED	-

Jefferson Lab

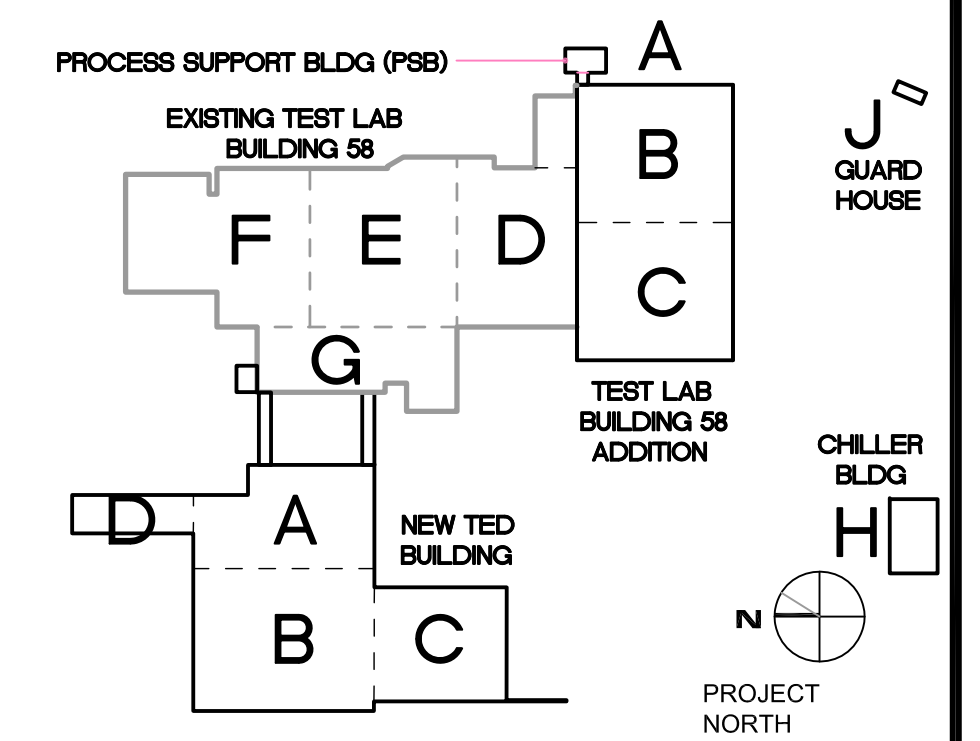
TITLE: TED BUILDING SECTION DETAILS

SCALE	DRAWING NUMBER	SHEET	REV
AS NOTED	100024-182-A164-STE	TED-A3.2.4.5	-



EWING COLE

Federal Reserve Bank Building
100 North 6th Street
Philadelphia, PA 19106-1590
Tel: 215-923-2020 Fax: 215-574-0952



TECHNICAL ENGINEERING & DEVELOPMENT FACILITY (TEDF)

12000 JEFFERSON AVENUE, NEWPORT NEWS, VIRGINIA 23606

REV	ZONE	DESCRIPTION	APPR.	DATE
3		CCR NO. 15		06/27/11
		CONSOLIDATED SET		04/01/11
		BULLETIN NO. 33		03/04/11
		BULLETIN NO. 26		12/03/10
		TEDF TWO - FINAL		05/24/10

FACILITY USERS		FACILITIES & LOGISTICS	
APPROVED	DATE	DESIGNER	DATE
-	-	DRAWN JK	-
-	-	CHECKED	-
-	-	APPROVED	-

Jefferson Lab

TITLE: **TED BUILDING SECTION DETAILS**

SCALE	DRAWING NUMBER	SHEET	REV
3" = 1'-0"	100024-183-A165-STE	TED-A3.2.4.6	-

1 2 3 4 5 6

A

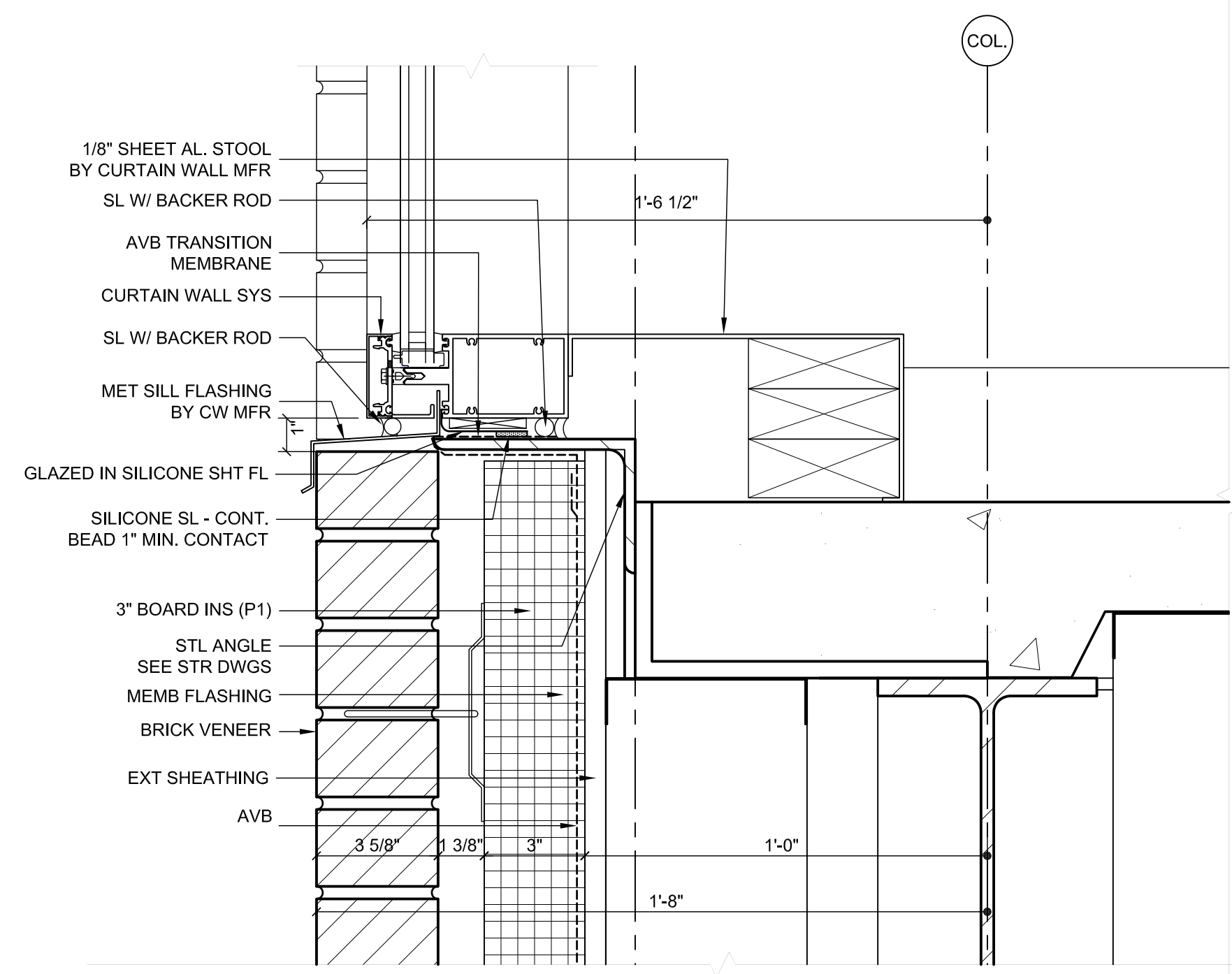
B

C

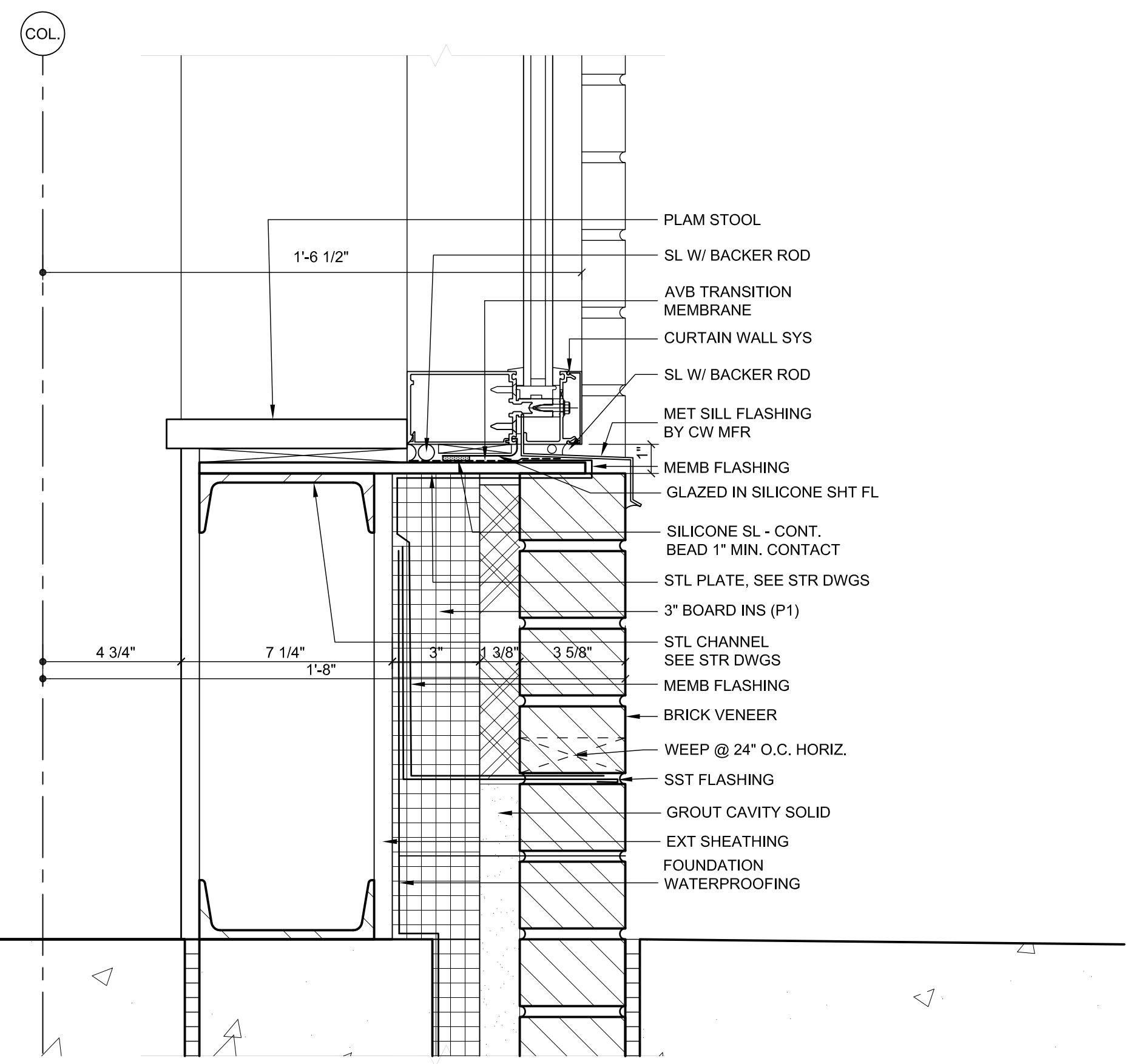
D

EWING COLE

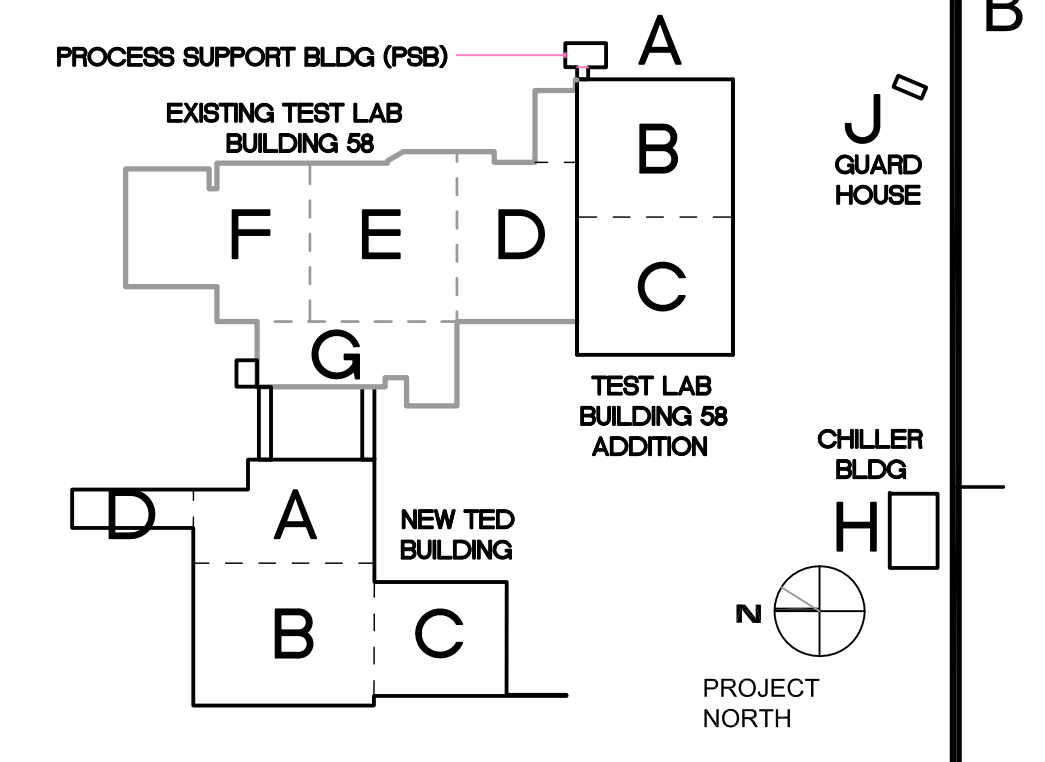
Federal Reserve Bank Building
100 North 6th Street
Philadelphia, PA 19106-1590
Tel: 215-923-2020 Fax: 215-574-0952



2 SECTION DETAIL S13
3" = 1'-0"



1 SECTION DETAIL S6
3" = 1'-0"



TECHNICAL ENGINEERING & DEVELOPMENT FACILITY (TEDF)
12000 JEFFERSON AVENUE, NEWPORT NEWS, VIRGINIA 23606

REV	ZONE	DESCRIPTION	APPR.	DATE
REVISIONS				
FACILITY USERS		FACILITIES & LOGISTICS		
APPROVED	DATE	DESIGNER	DATE	
APPROVED	-	DRAWN JK	-	
APPROVED	-	CHECKED	-	
APPROVED	-	APPROVED	-	

Jefferson Lab

TITLE: TED BUILDING SECTION DETAILS

SCALE	DRAWING NUMBER	SHEET	REV
3" = 1'-0"	100024-184-A165-STE	TED-A3.2.4.7	-

1 2 3 4 5 6

GENERAL NOTES:

PROVIDE ACCESSORIES FOR AVB PER SPEC SECTION 072600 AND AIB PER SPEC SECTION 072700.

TECHNICAL ENGINEERING & DEVELOPMENT FACILITY (TEDF)

12000 JEFFERSON AVENUE, NEWPORT NEWS, VIRGINIA 23606

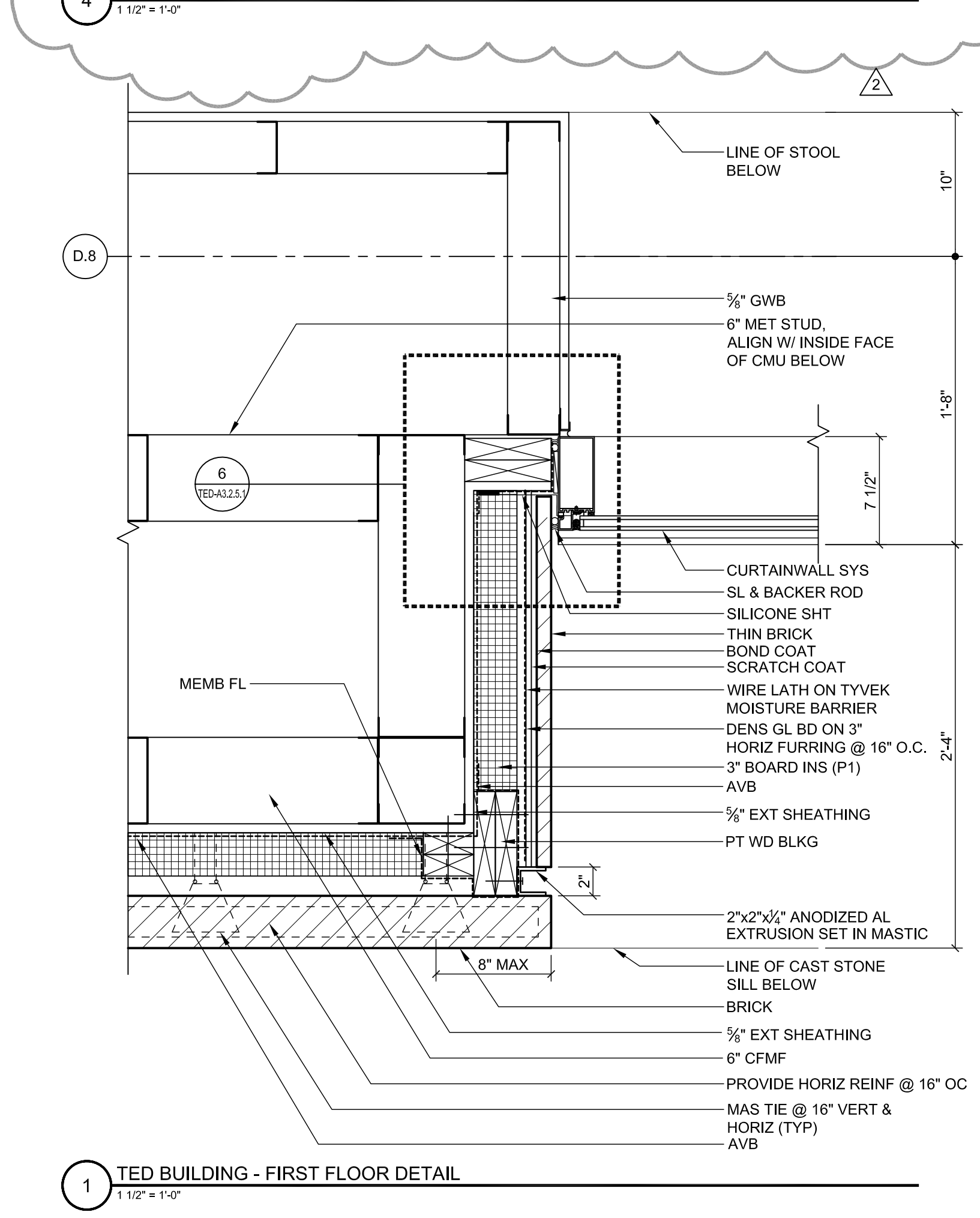
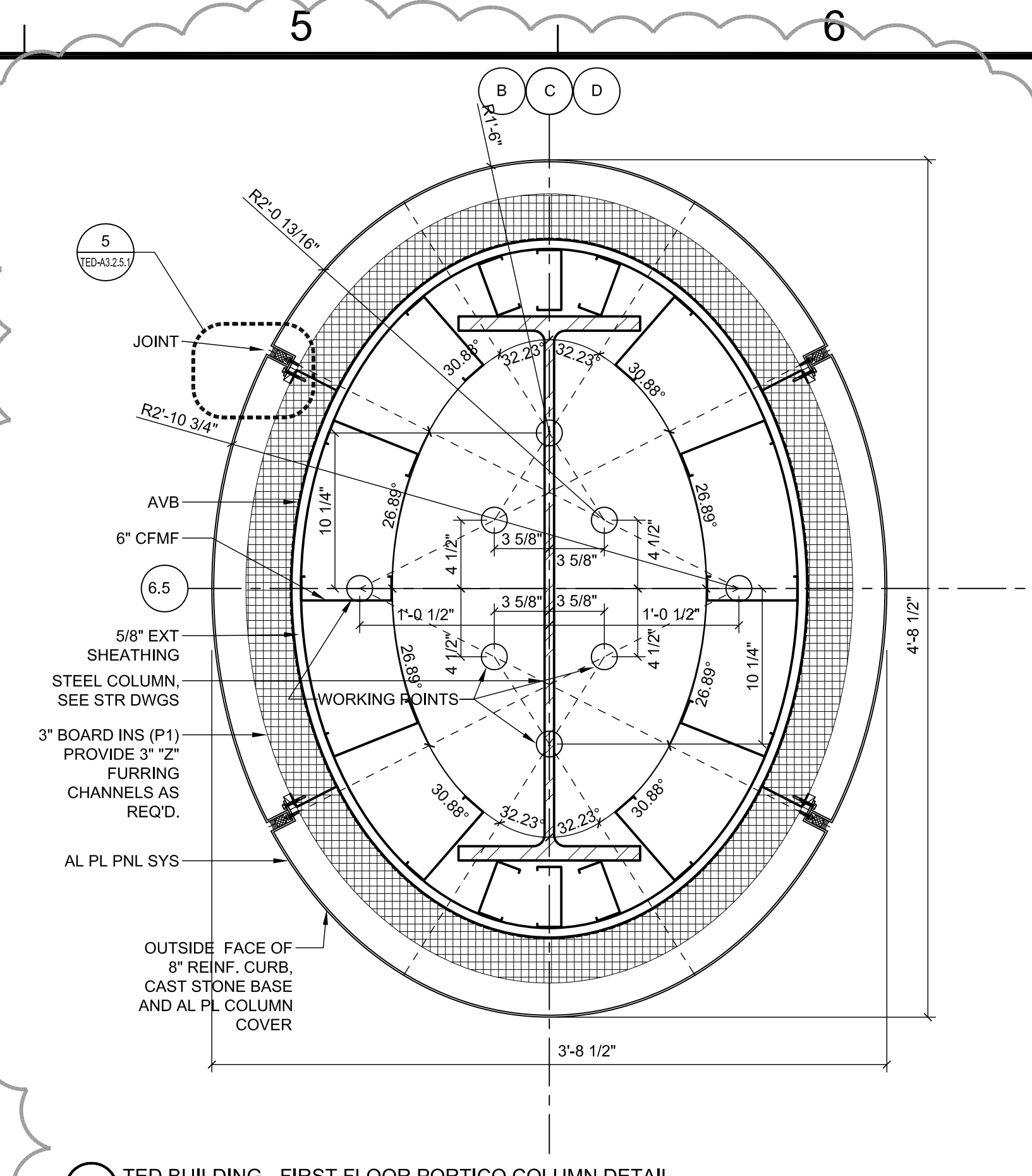
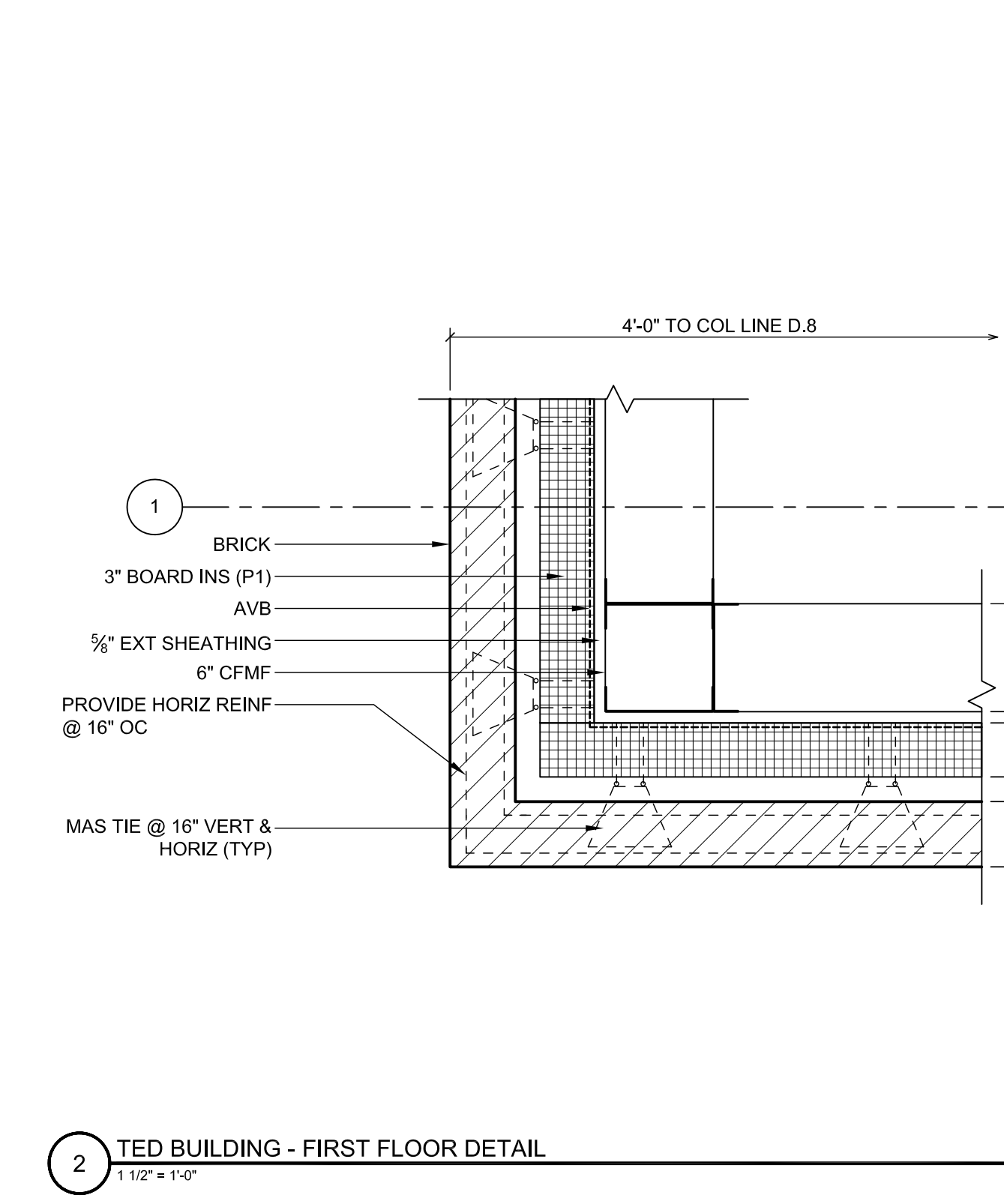
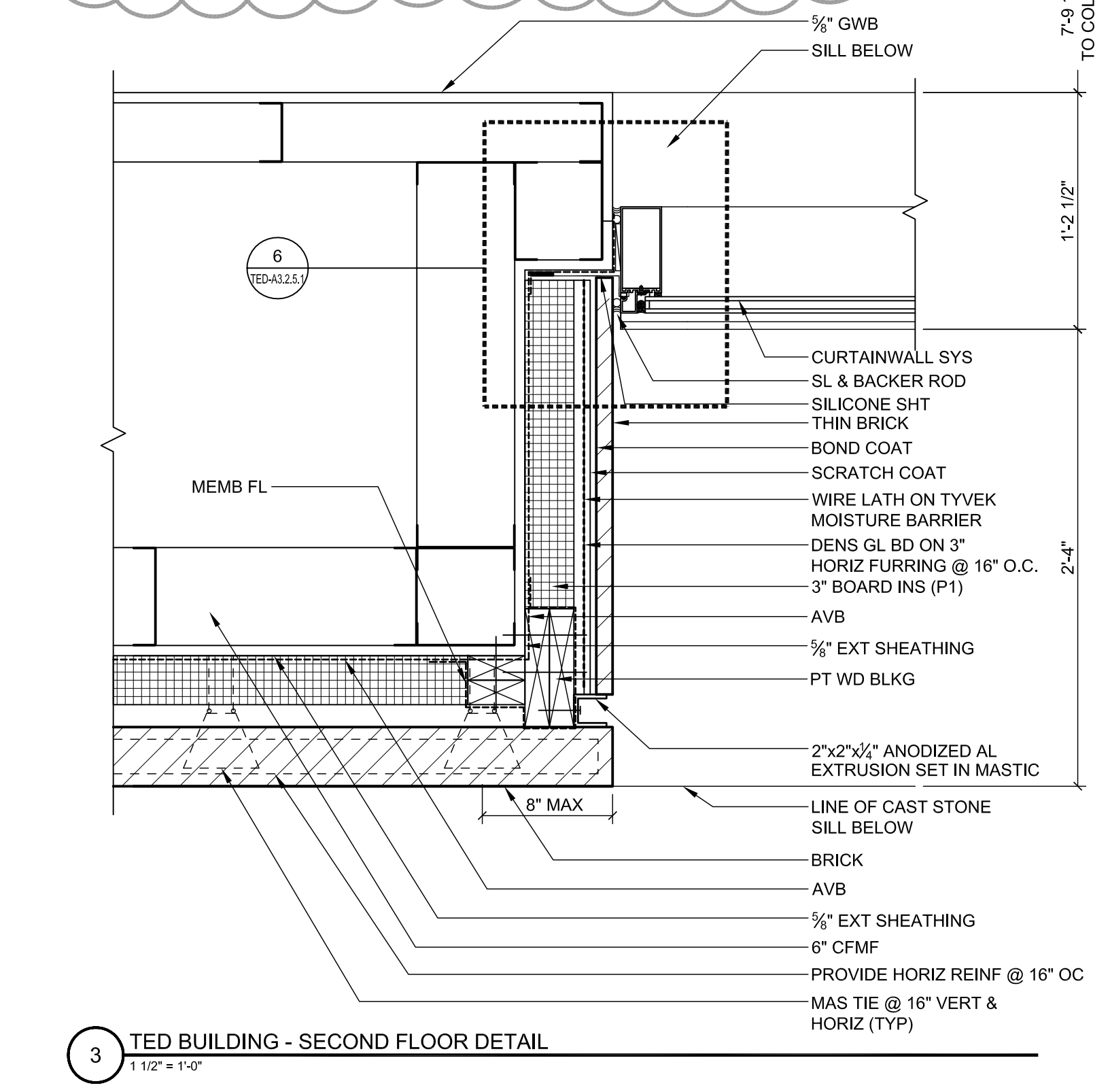
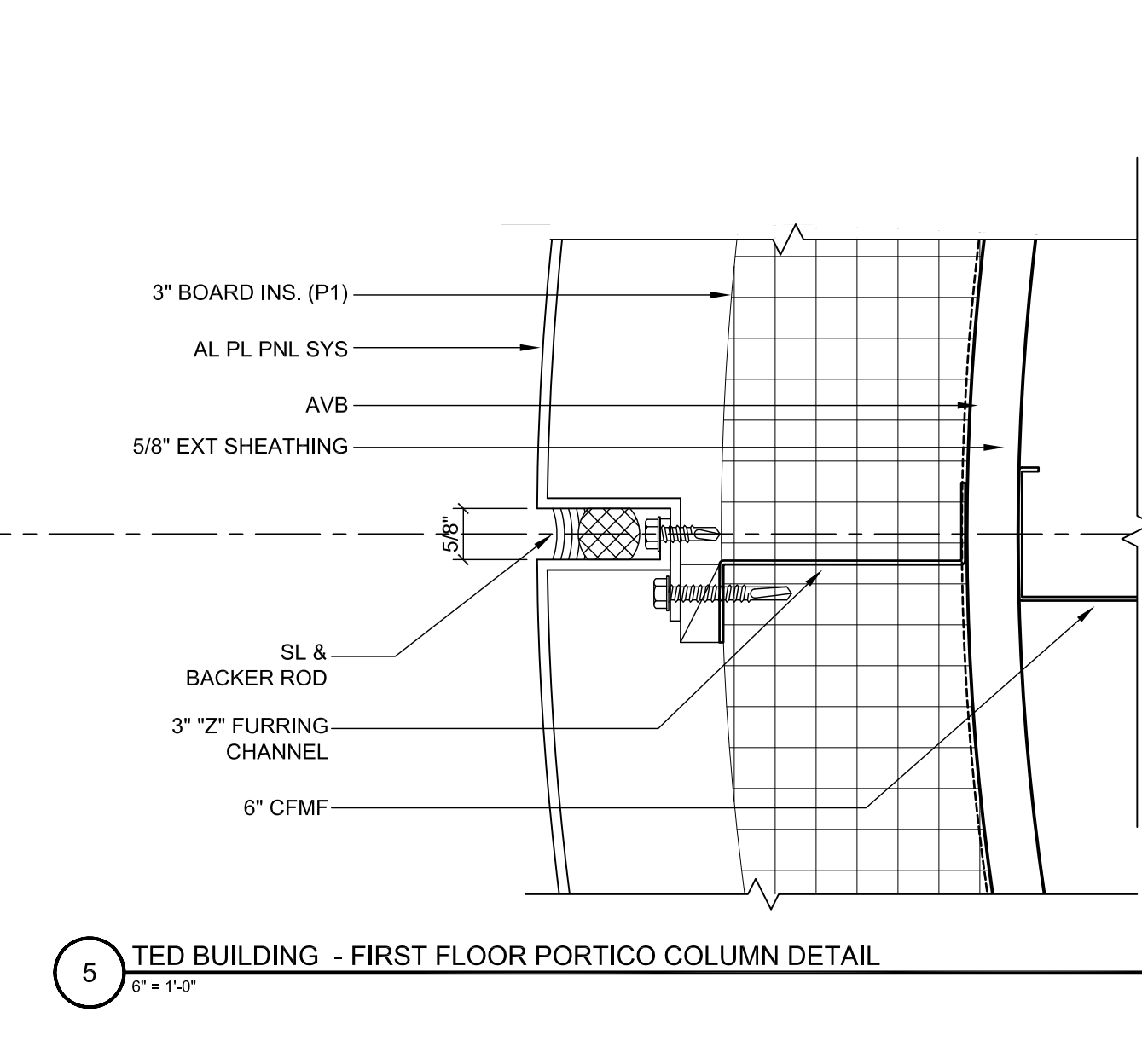
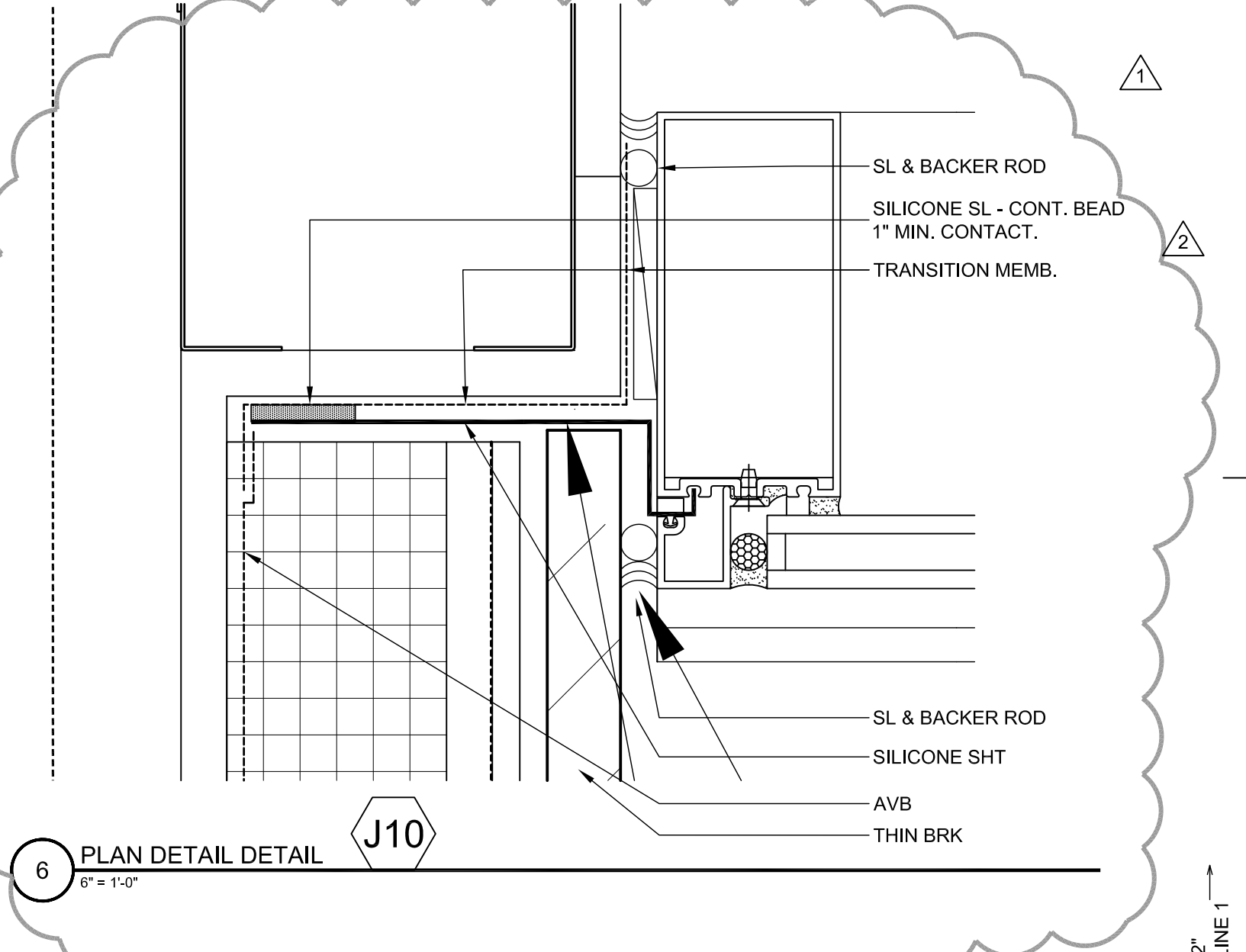
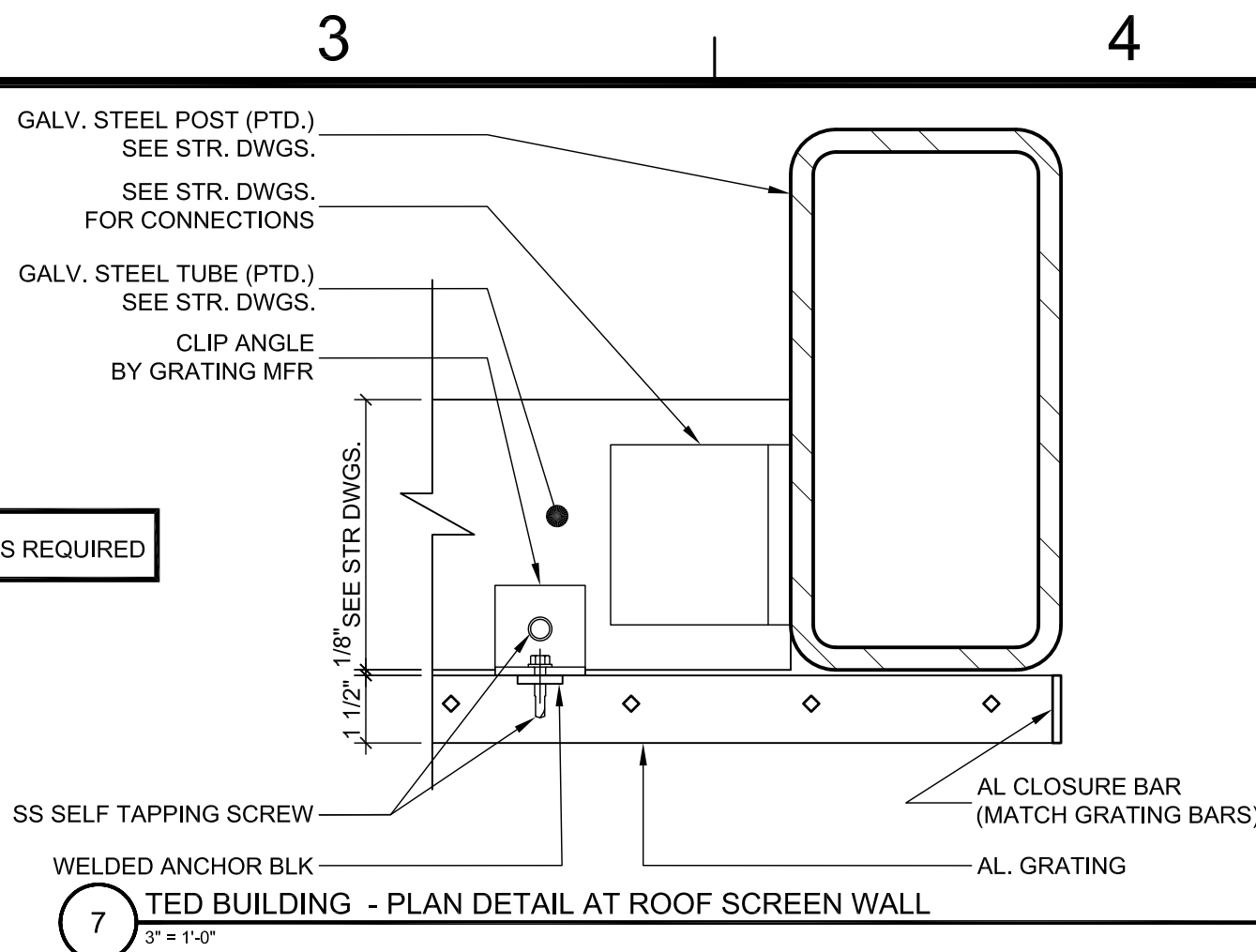
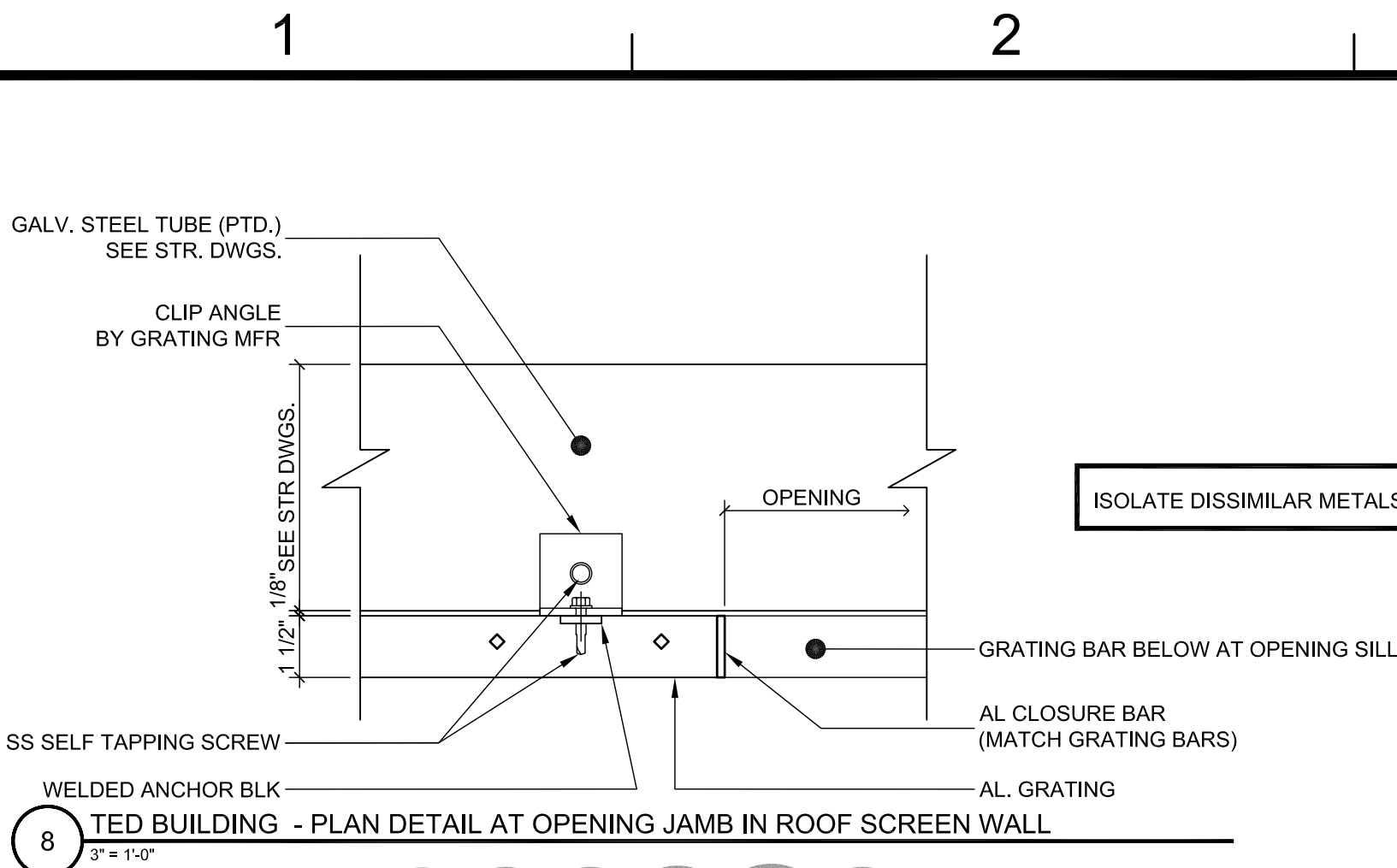
2	CCR NO. 15	06/27/11
	CONSOLIDATED SET	04/01/11
3	BULLETIN NO. 26	12/03/10
	TEDF TWO - FINAL	05/24/10

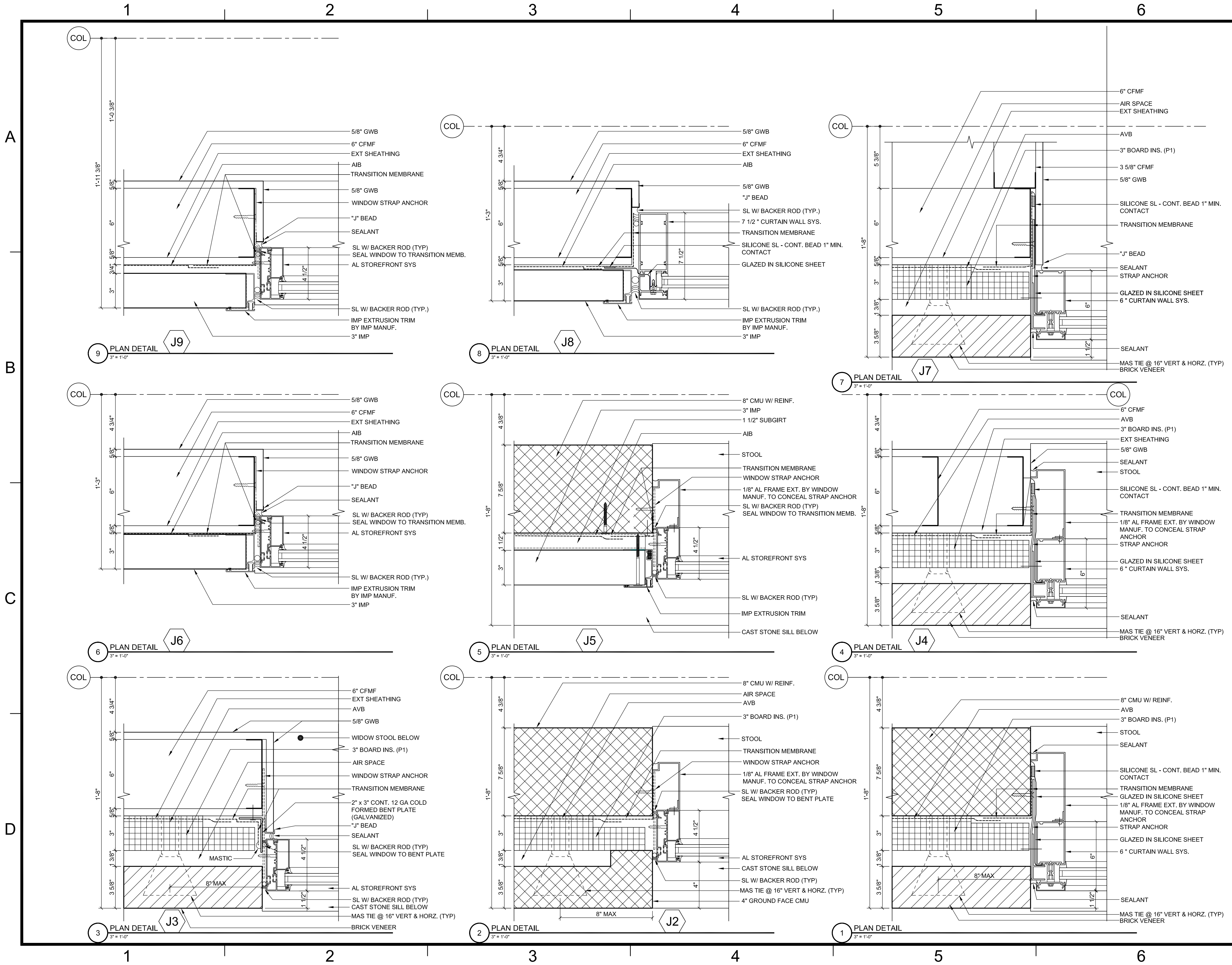
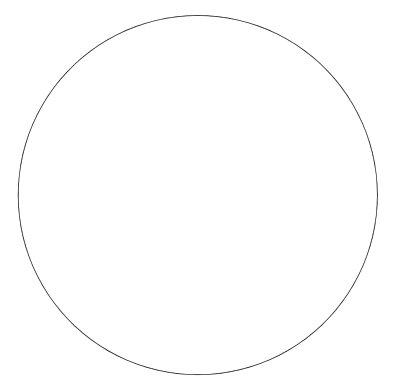
REV	ZONE	DESCRIPTION	APPR.	DATE
REVISIONS				

FACILITY USERS		FACILITIES & LOGISTICS	
APPROVED	DATE	DESIGNER	DATE
APPROVED	-	DRAWN	-
APPROVED	-	CHECKED	-
APPROVED	-	APPROVED	-

TITLE: **TED BUILDING PLAN DETAILS**

SCALE	DRAWING NUMBER	SHEET	REV
AS NOTED	100024-187-A169-STE	TED-A3.2.5.1	-





TECHNICAL ENGINEERING & DEVELOPMENT FACILITY (TEDF)

12000 JEFFERSON AVENUE, NEWPORT NEWS, VIRGINIA 23606

		CCR NO. 15		06/27/11
REV	ZONE	DESCRIPTION	APPR.	DATE

FACILITY USERS		FACILITIES & LOGISTICS	
APPROVED	DATE	DESIGNER	DATE
APPROVED		DRAWN	
APPROVED		CHECKED	
APPROVED		APPROVED	



TITLE: CURTAIN WALL AND STOREFRONT PLAN DETAILS

SCALE	DRAWING NUMBER	SHEET	REV
3" = 1'-0"	100024-223A-A205A-STE	A4.4.2.2	-