

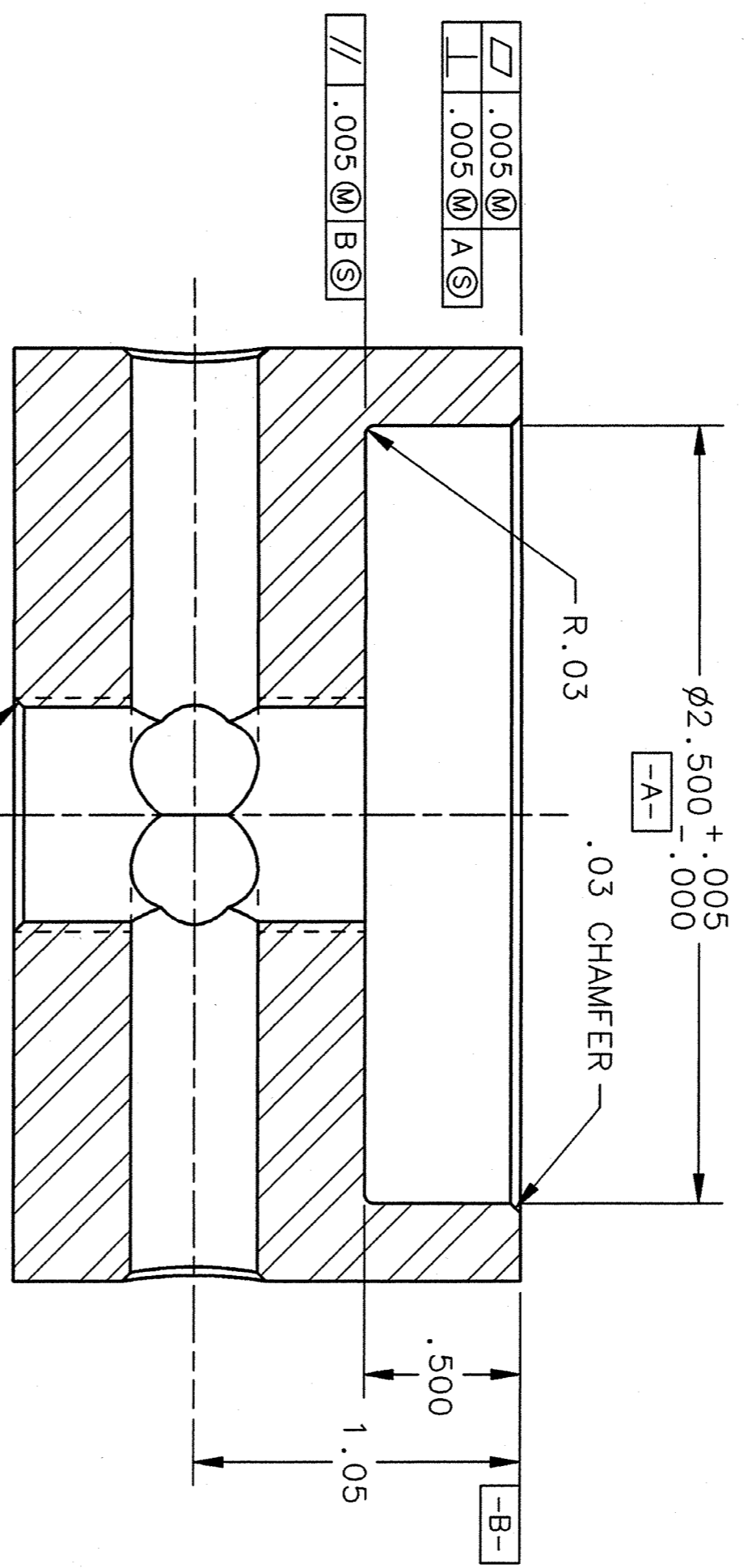
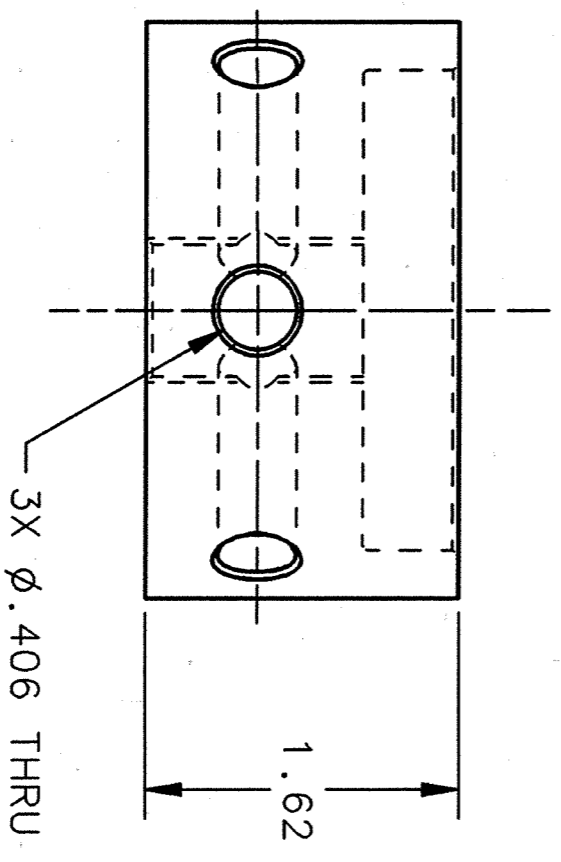
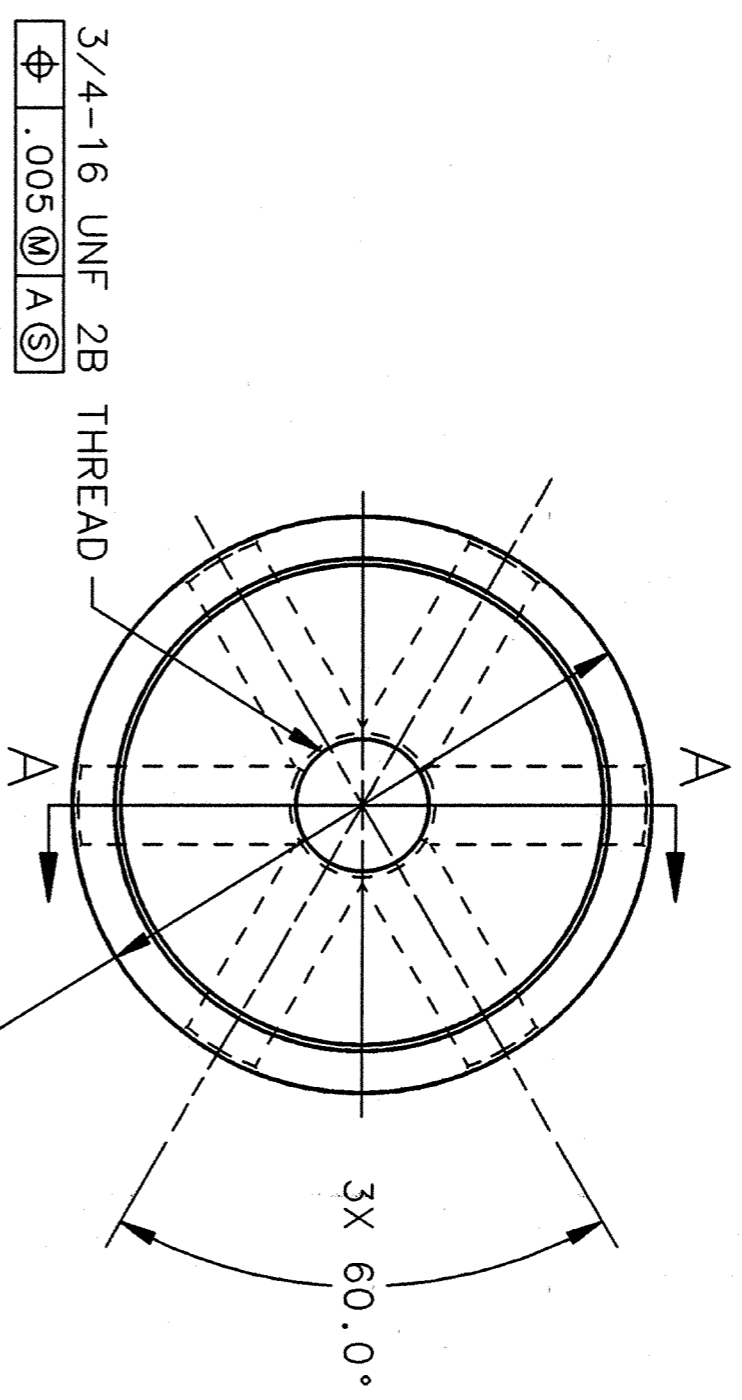
4

3

2

1

REVISION HISTORY			
ZONE	REV	DESCRIPTION	DATE



SECTION A - A



DIM & TOL PER ANSI Y14.5
 DIMENSIONS SPECIFIED
 UNLESS OTHERWISE NOTED
 DIMENSIONS ARE IN INCHES
 TOLERANCES ARE:
 FRACTIONS DECIMAL ANGLES
 .XXX ± .01 ± .50°
 .XXX ± .005 ± .50°

MATERIAL	STAINLESS STEEL 304
FINISH	125 UNLESS OTHERWISE NOTED
DEBURR & BREAK ALL SHARP EDGES	
DO NOT SCALE DRAWING	

CADD I.D. NO.:	1-DEAS	
SNS DRAWING NUMBER:	104130801-18C-8320-A101-R00	
APPROVALS	DATE	
DRAWN	R. BISHOP	08FEB01
CHECKED	<i>[Signature]</i>	32201
APPROVED	<i>[Signature]</i>	26 MAR 01
APPROVED	<i>[Signature]</i>	

Jefferson Lab
 Thomas Jefferson National Accelerator Facility
 UNITED STATES DEPARTMENT OF ENERGY
 SPALLATION NEUTRON SOURCE
 CAVITY TOOLING
 TACK WELD STAND
 MAIN PIN CUP DETAIL

SIZE DWG. NO. CRM9000010-0101
 SCALE 1:1 USED ON ASSY NO. CRM9000010-0103 SHEET 1 OF 1