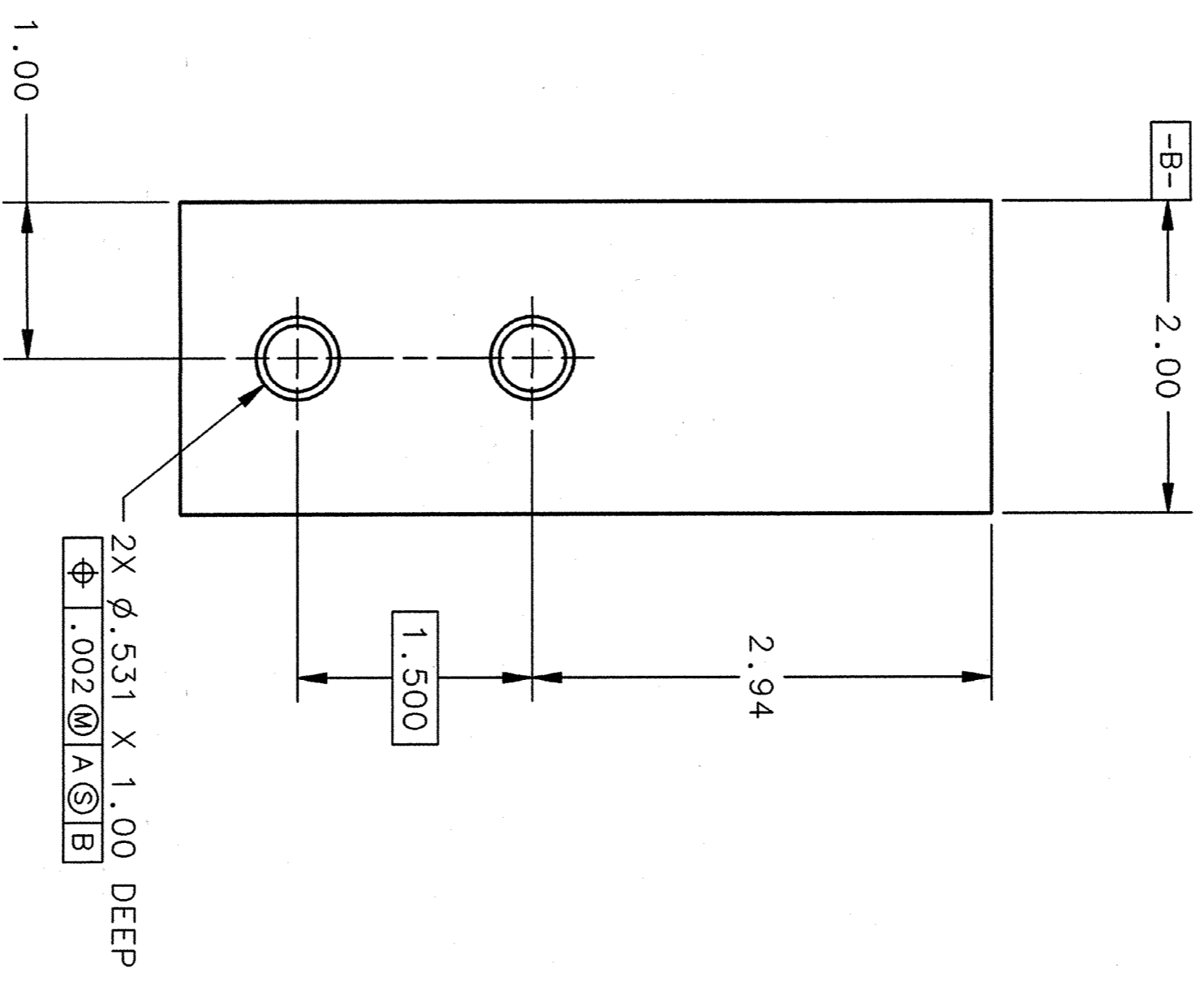
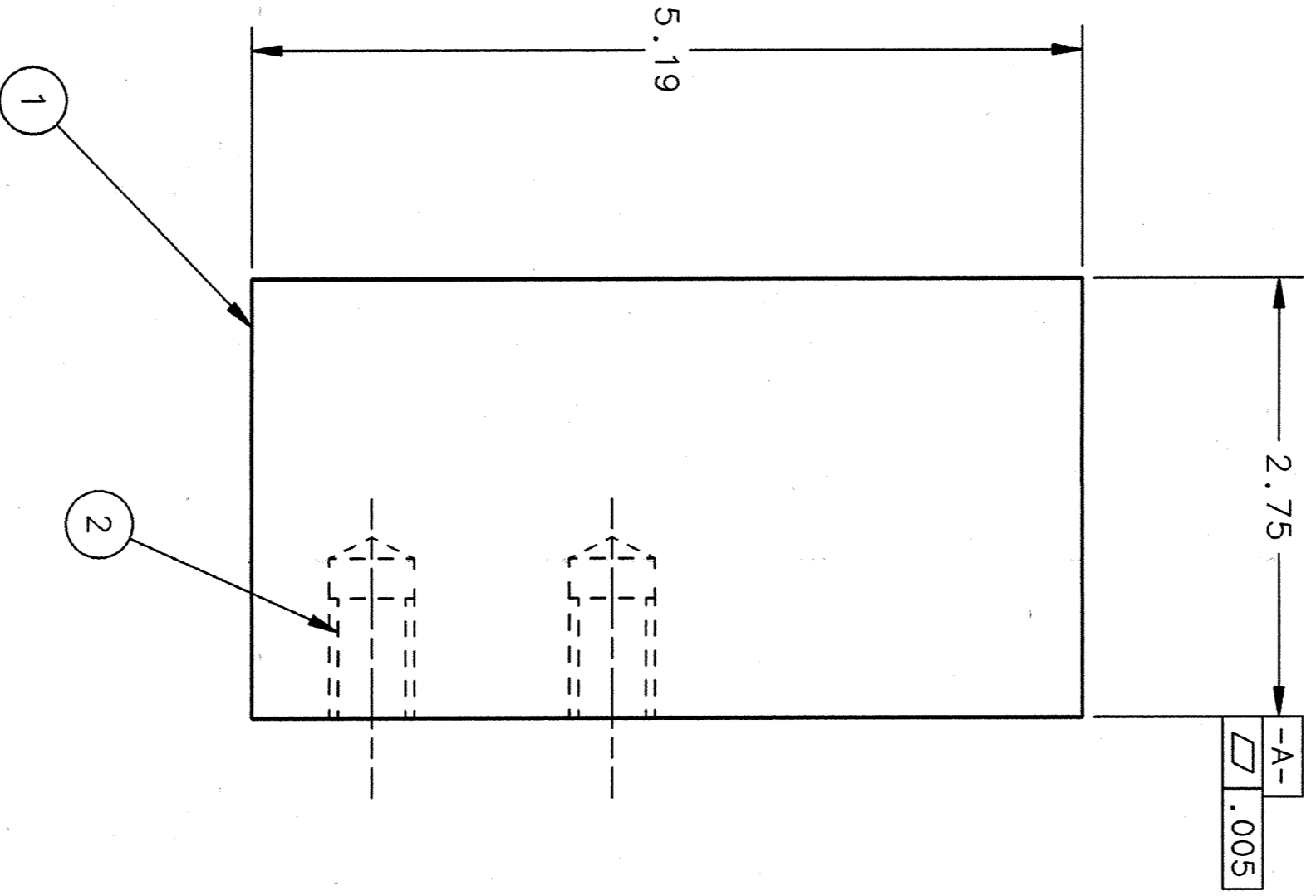


REVISION HISTORY		
ZONE	REV	DESCRIPTION



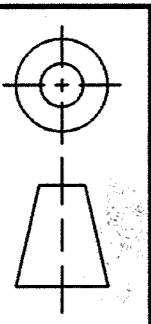
QTY	ITEM	PART OR IDENTIFYING NO.	NOMENCLATURE OR DESCRIPTION	MATERIAL SPECIFICATION	NOTES
2	2	McMASTER 91732A216	1/2-13 UNC COIL INSERT	STAINLESS STEEL	
1	1			6061-T6 ALUMINUM	

DIM & TOL PER ANSI Y14.5  
 UNLESS OTHERWISE SPECIFIED  
 DIMENSIONS ARE IN INCHES  
 TOLERANCES ARE: DECIMAL ANGLES  
 FRACTIONS XX DECIMAL .50°  
 .XXX ±.005  
 .XX ±.01  
 .X ±.005

CADD I.D. NO.: I-DEAS  
 SNS DRAWING NUMBER:  
 104130801-T8C-8320-A017-R00

APPROVALS: DATE  
 DRAWN: R. BISHOP 12FEB01  
 CHECKED: R. BISHOP 3.22.01  
 APPROVED: R. BISHOP 36 MAR 01  
 APPROVED: M. M. M. 22 MAR 01

FINISH 125 UNLESS OTHERWISE NOTED  
 DEBURR & BREAK ALL SHARP EDGES  
 DO NOT SCALE DRAWING



Thomas Jefferson National Accelerator Facility  
 NEWPORT NEWS, VIRGINIA  
 UNITED STATES DEPARTMENT OF ENERGY

SPALLATION NEUTRON SOURCE  
 CAVITY TOOLING  
 TACK WELD STAND  
 FLANGE BLOCK ASSEMBLY

SIZE DWG. NO. CRM9000010-0107  
 SCALE 1:2 USED ON ASSY NO. CRM9000010-0100 SHEET 1 OF 1

DWG. NO. CRM9000010-0107 SHT. 1 REV. 1  
 A B C D 4 3 2 1