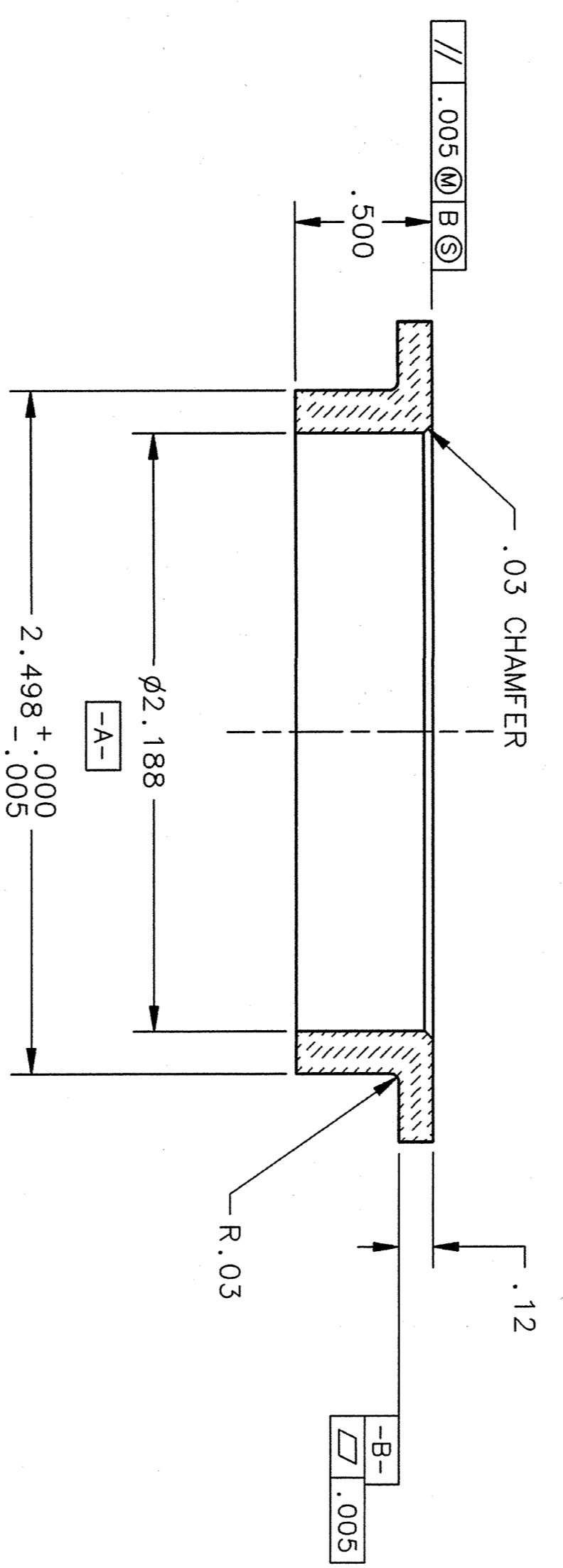
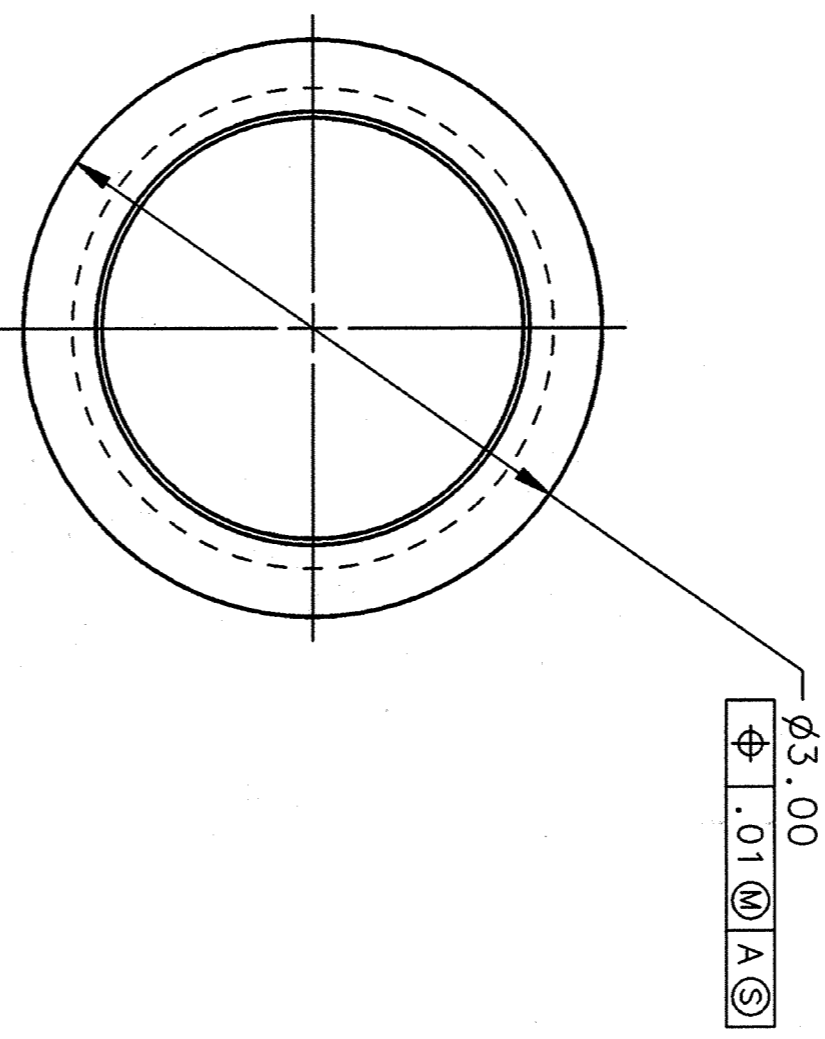


REVISION HISTORY		
ZONE	REV	DESCRIPTION

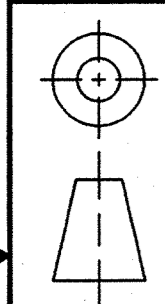
DATE	APPROVED



SECTION A - A

DIM & TOL PER ANSI Y14.5 UNLESS OTHERWISE SPECIFIED DIMENSIONS ARE IN INCHES TOLERANCES ARE: FRACTIONS DECIMAL ANGLES .XX ±.01 .50° .XXX ±.005	
CADD I.D. NO.: I-DEAS SNS DRAWING NUMBER: 104130801-18C-8320-A115-R00	
APPROVALS DRAWN R. BISHOP	DATE 08FEB01
CHECKED <i>[Signature]</i>	DATE 3/22/01
APPROVED <i>[Signature]</i>	DATE 3/6/01
APPROVED <i>[Signature]</i>	DATE 4/1/01
Thomas Jefferson National Accelerator Facility UNITED STATES DEPARTMENT OF ENERGY	
SPALLATION NEUTRON SOURCE CAVITY TOOLING TACK WELD STAND MAIN PIN CUP - BEARING DETAIL	
SIZE DWG. NO. C CRM9000010-0115	REV. -

FINISH 125 DEBURR & BREAK ALL SHARP EDGES	UNLESS OTHERWISE NOTED
DO NOT SCALE DRAWING	



100%