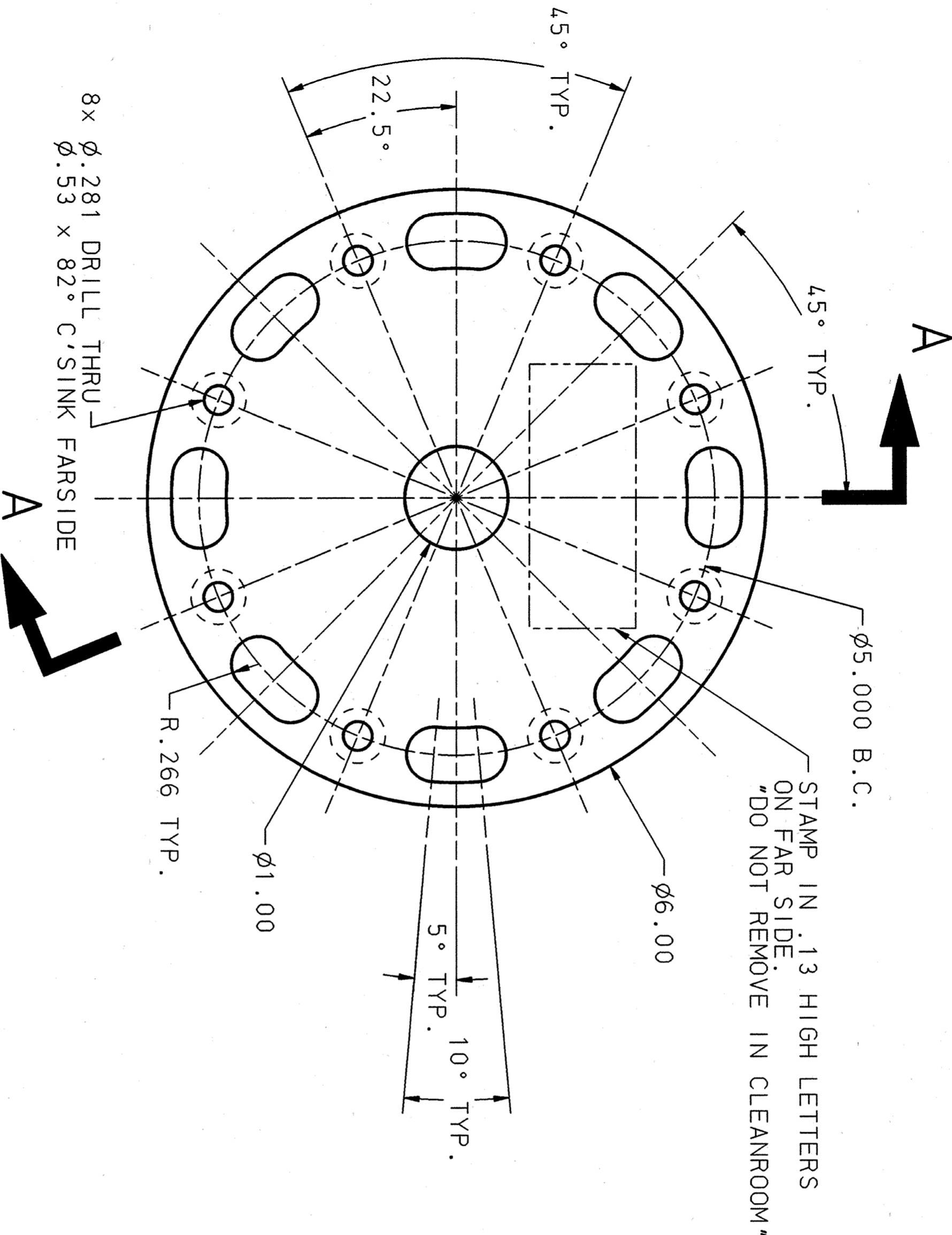


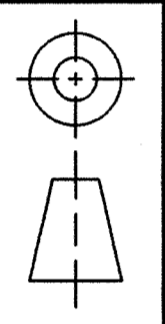
REVISION HISTORY				
ZONE	REV	DESCRIPTION	DATE	APPROVED



NOTES:
-1 ANODIZE BLUE.

SECTION A-A

DIM & TOL PER ANSI Y14.5 UNLESS OTHERWISE SPECIFIED DIMENSIONS ARE IN INCHES TOLERANCES ARE: FRACTIONS .XX ± .02 ANGLES ± .50° DECIMAL .XXX ± .005 #N/A .XXX ± .005		CADD I.D. NO.: 1-DEAS 104130801-T8C- 8320-A130-R00		Thomas Jefferson National Accelerator Facility UNITED STATES DEPARTMENT OF ENERGY	
MATERIAL 6061-T6 ALUMINUM		APPROVALS DRAWN: CHRIS GRAVES CHECKED: <i>Chris Graves</i> APPROVED: <i>Chris Graves</i>		DATE 02 Apr 01	
FINISH 125 UNLESS OTHERWISE NOTED DEBUR & BREAK ALL SHARP EDGES		APPROVED: <i>Chris Graves</i> 9/5/01		SIZE DWG. NO. CRM9000010-0306 SCALE 1:1 USED ON ASSY NO. CRM9000010-0325 SHEET 1 OF 1	



4

3

2

1

4

3

2

1