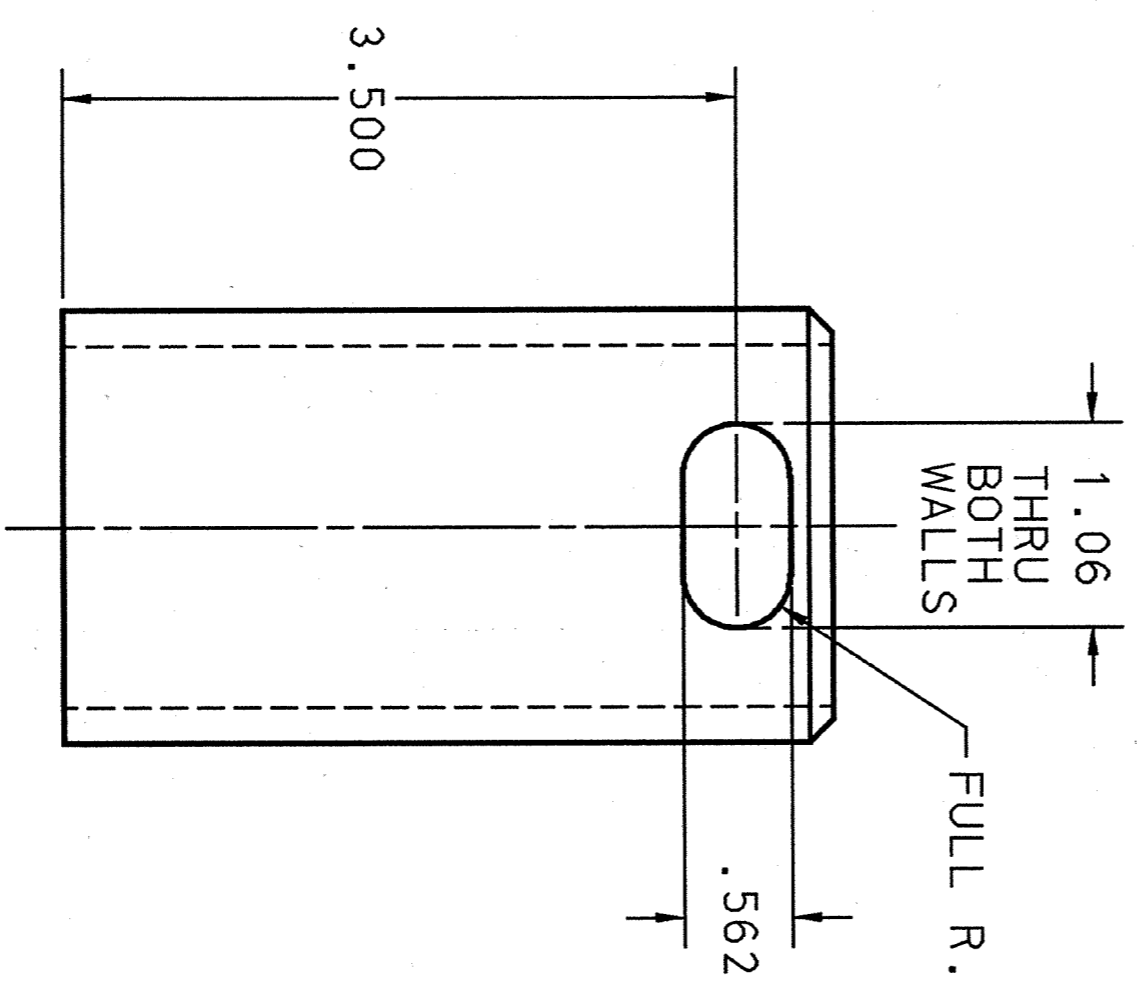
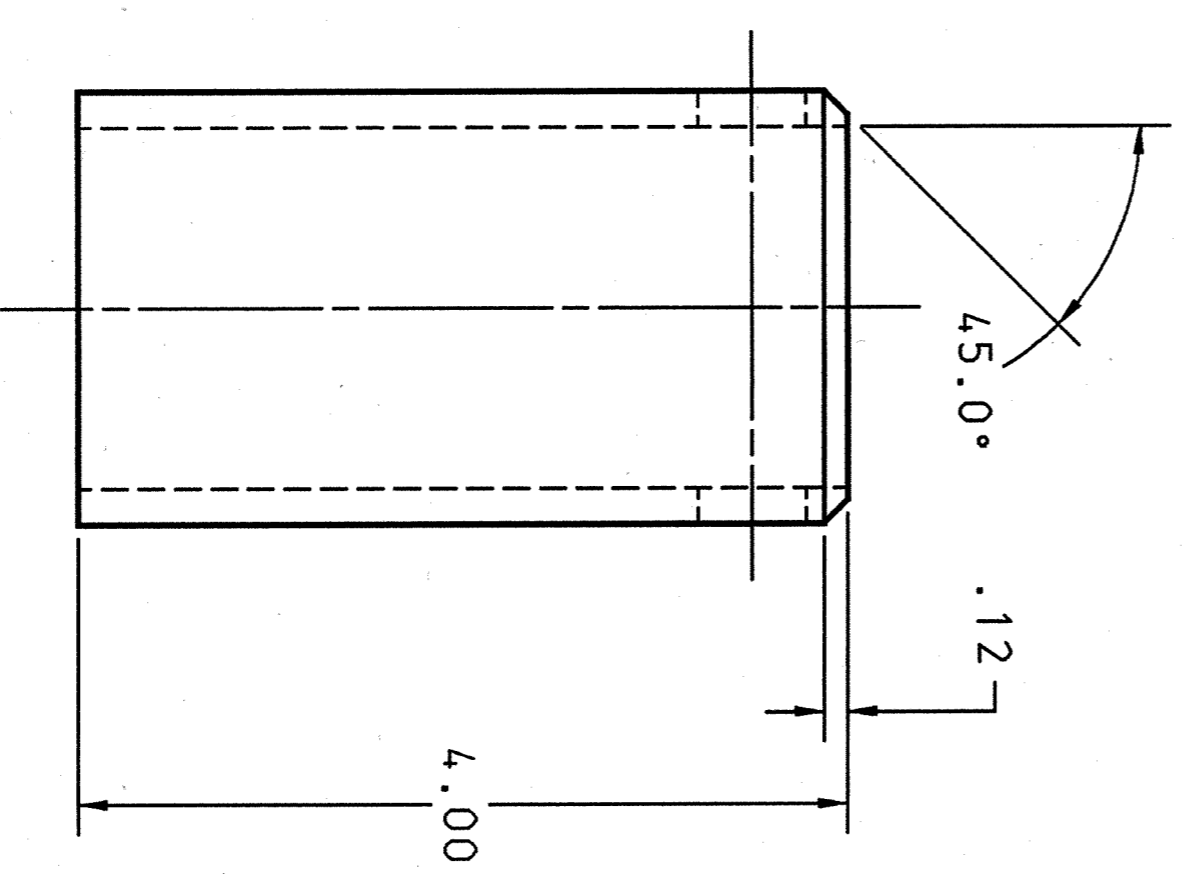
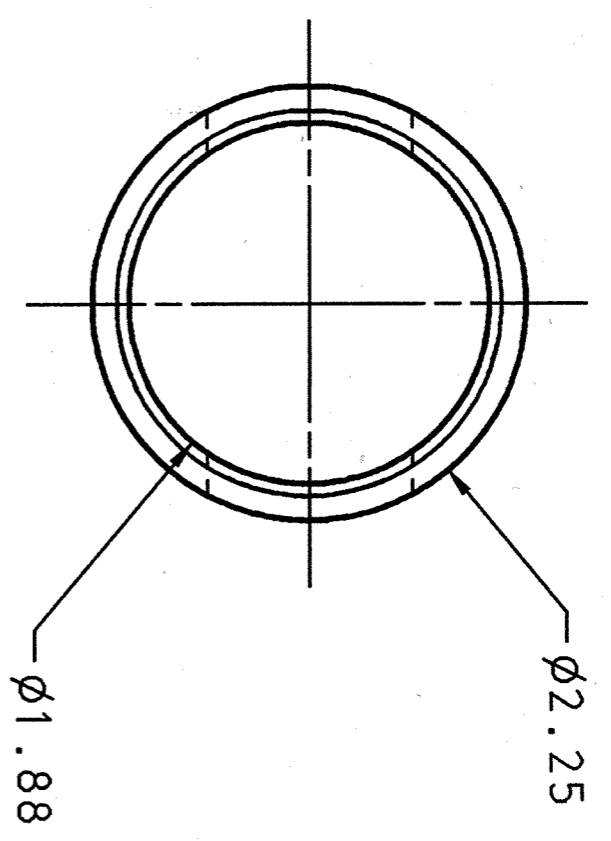


REVISION HISTORY				
ZONE	REV	DESCRIPTION	DATE	APPROVED



DIM & TOL PER ANSI Y14.5. UNLESS OTHERWISE SPECIFIED DIMENSIONS ARE IN INCHES TOLERANCES ARE: FRACTIONS DECIMAL ANGLES #/N/A .XXX #.005 #.50°		CADD I.D. NO.: I-DEAS 104130801-T8C- 8320-A148-R00		Thomas Jefferson National Accelerator Facility UNITED STATES DEPARTMENT OF ENERGY <i>Jefferson Lab</i>	
MATERIAL 304 STAINLESS STEEL (MAY BE MADE FROM TUBE)		DRAWN CHRIS GRAVES		DATE 02 July 01	
FINISH 125 UNLESS OTHERWISE NOTED DEBURR & BREAK ALL SHARP EDGES		CHECKED <i>S. White</i>		31 Jul 01	
DO NOT SCALE DRAWING		APPROVED <i>Chris Graves</i>		31 Jul 01	
SIZE DWG. NO. CRM9000010-0309 SCALE FULL USED ON ASSY NO. CRM9000010-307		SPALLATION NEUTRON SOURCE CRYMODULE - CAVITY TOOLING He VESSEL ADAPTOR PLATE HeV SUPPORT LUG DETAIL		SHEET 1 OF 1	

