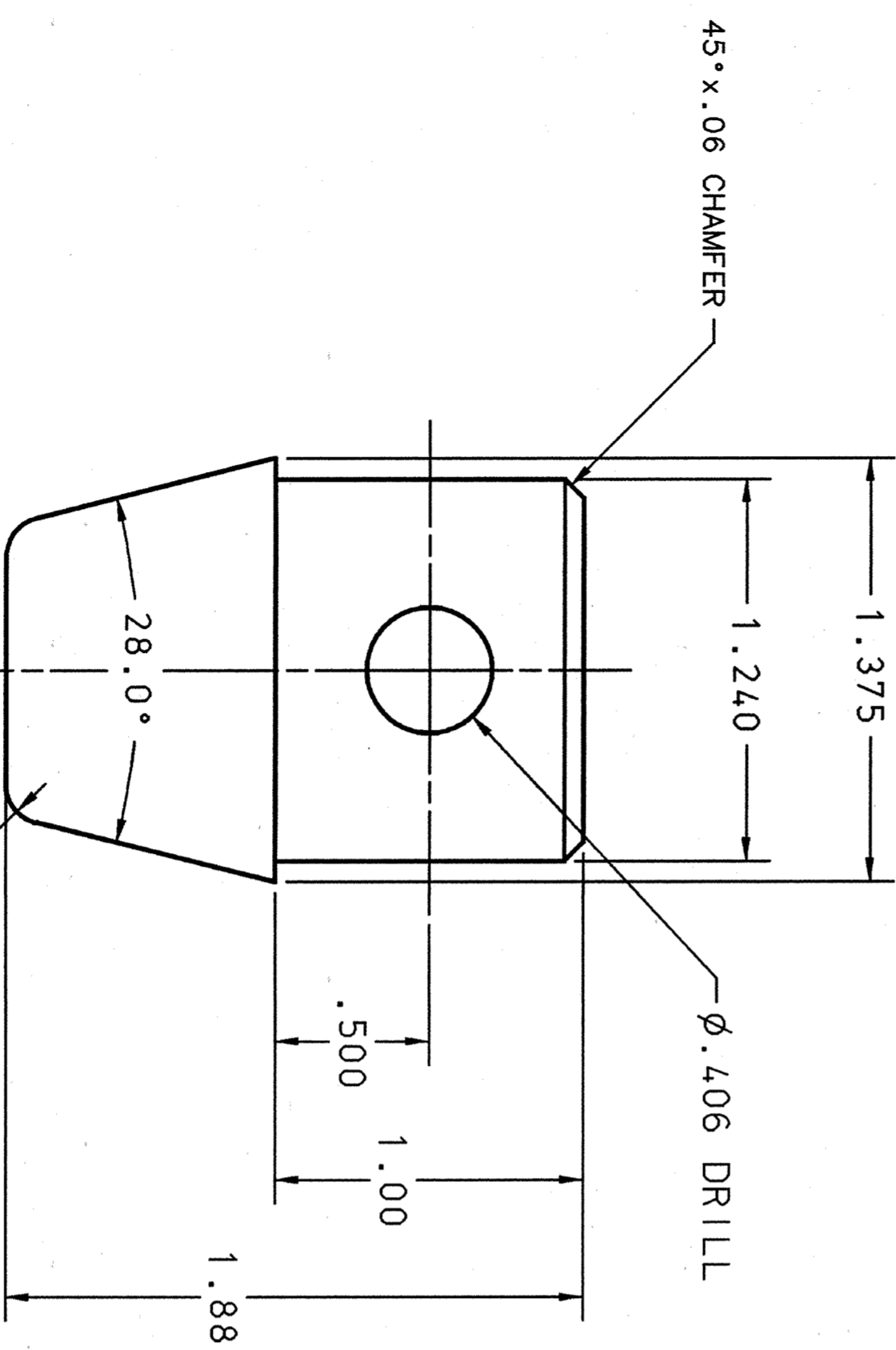
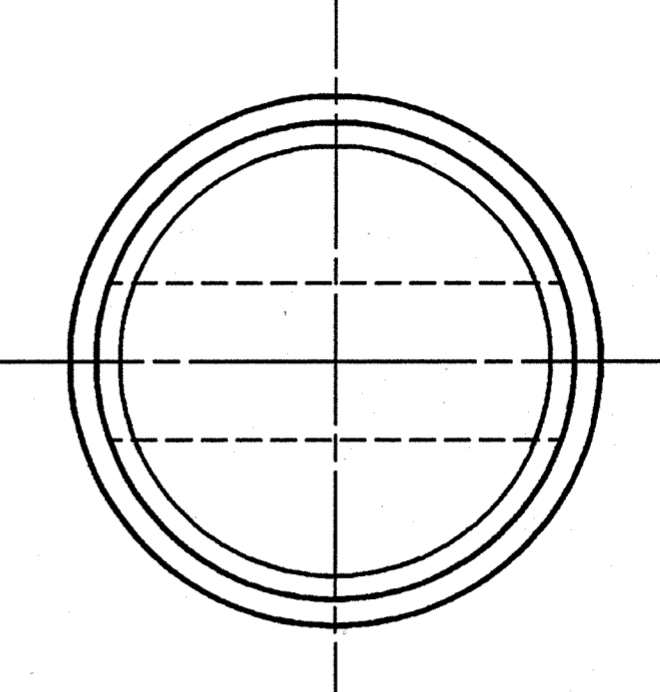


REVISION HISTORY				
ZONE	REV	DESCRIPTION	DATE	APPROVED



DIM. & TOL. PER ANSI Y14.5. UNLESS OTHERWISE SPECIFIED, DIMENSIONS ARE IN INCHES TOLERANCES ARE: FRACTIONS .XX ± .02 ANGLES ± .50° #N/A .XXX ± .005		CADD I.D. NO.: I-DEAS 104130801-T8C- 8320-A149-R00		Thomas Jefferson National Accelerator Facility UNITED STATES DEPARTMENT OF ENERGY <i>Jefferson Lab</i>	
MATERIAL 304 STAINLESS STEEL		APPROVALS DRAWN: CHRIS GRAVES CHECKED: <i>[Signature]</i> APPROVED: <i>[Signature]</i> APPROVED: <i>[Signature]</i>		DATE 02 Jul 01 8/5/01 8/5/01	
FINISH 125 ✓ UNLESS OTHERWISE NOTED DEBURR & BREAK ALL SHARP EDGES		SIZE DWG. NO. C CRM9000010-0310		SCALE 2:1 USED ON ASSY NO. CRM9000010-0307 SHEET 1 OF 1	
DO NOT SCALE DRAWING		SPALLATION NEUTRON SOURCE CRYOMODULE - CAVITY TOOLING He VESSEL ADAPTOR FRAME FRAME TUBE END		REV. -	

IGI