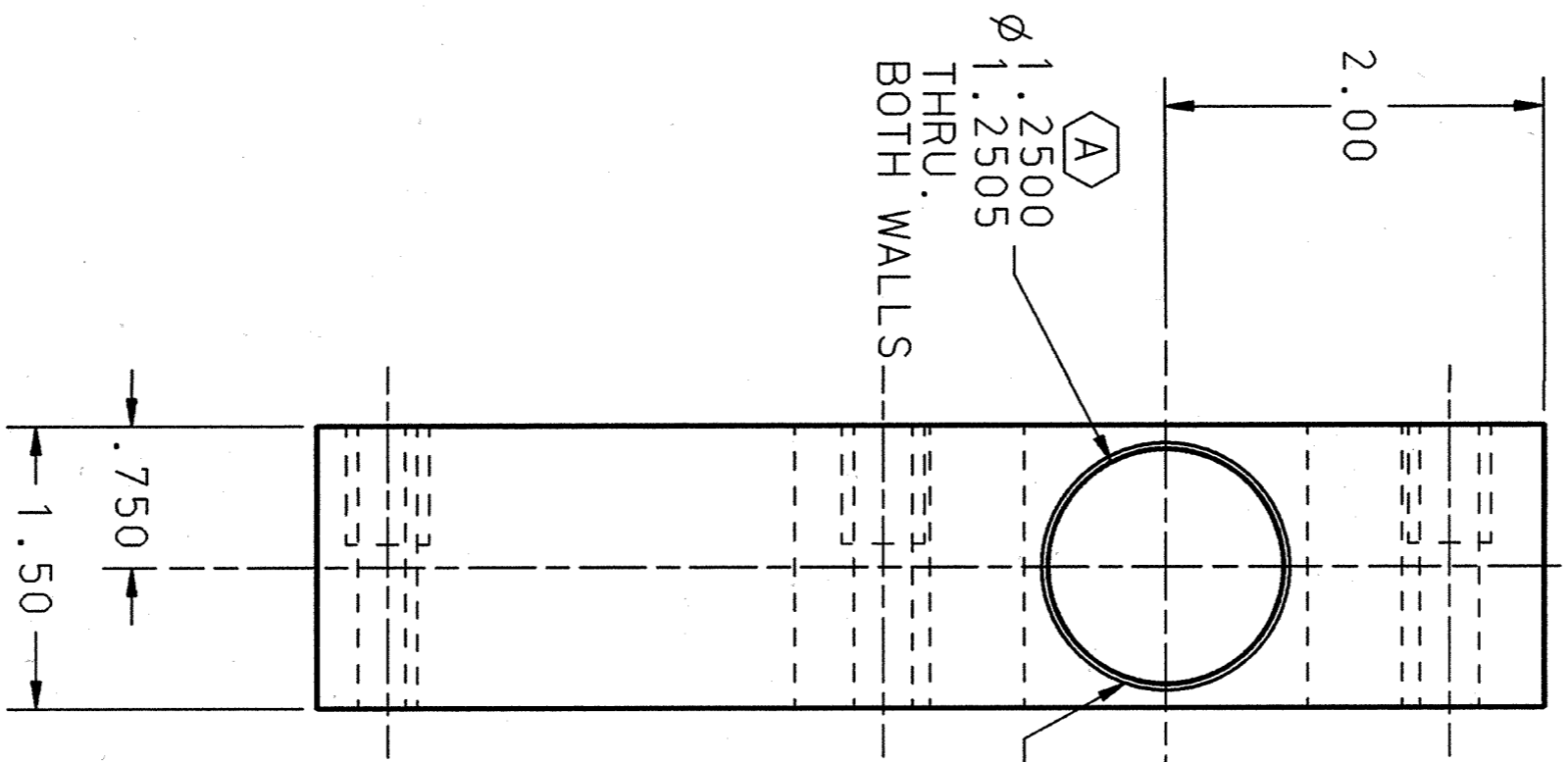
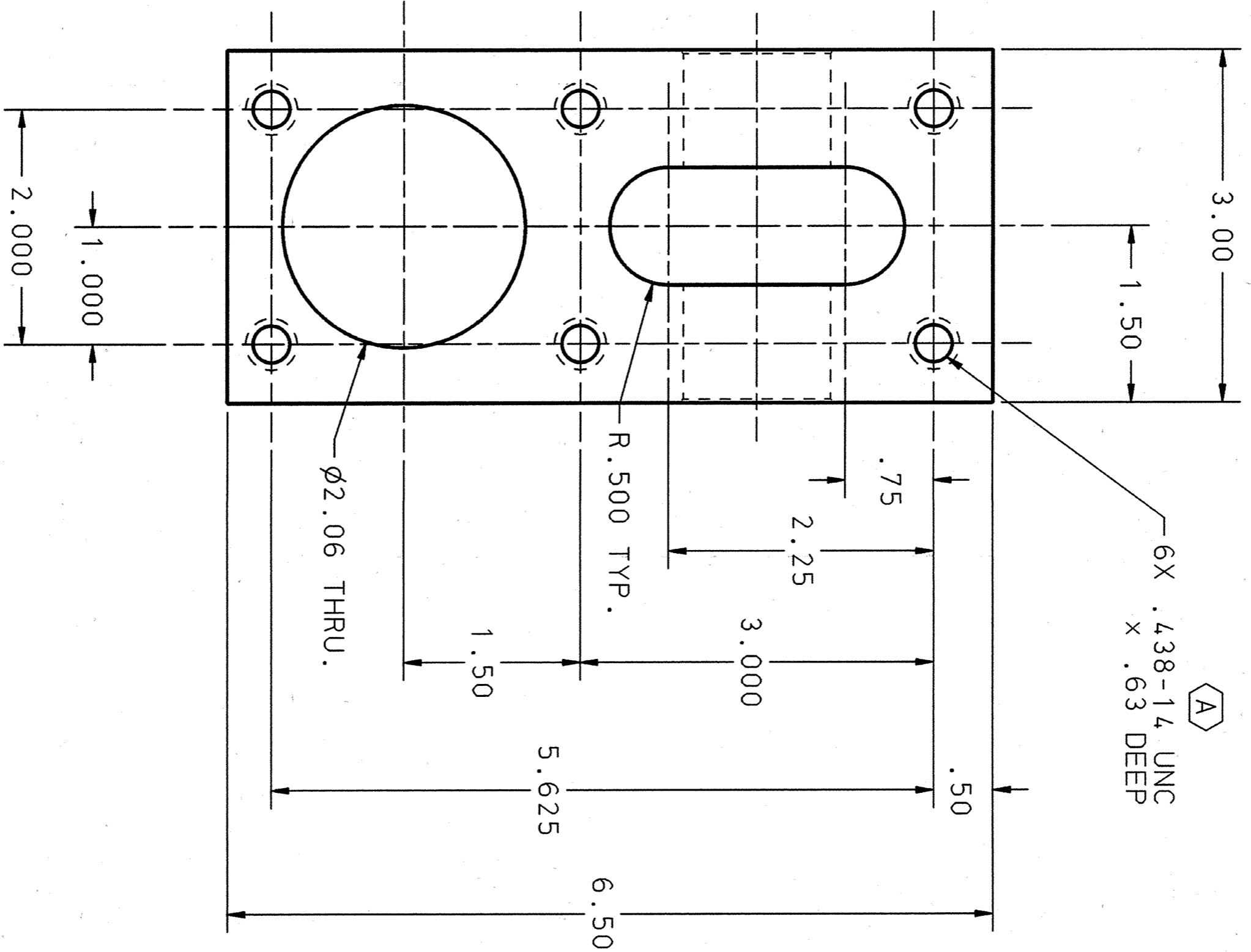


REVISION HISTORY		
ZONE	REV	DESCRIPTION

DATE	APPROVED



NOTES:  
 -1 ANODIZE BLUE, KEEP HOLES MARKED AS (A) FREE OF ANODIZE.

DIM & TOL PER ANSI Y14.4-B UNLESS OTHERWISE SPECIFIED DIMENSIONS ARE IN INCHES TOLERANCES ARE: FRACTIONS DECIMAL ANGLES #N/A .XXX ±.005 .XX ±.02 .X ±.05		CADD I.D. NO.: 1-DEAS 104130801-T8C- 8320-A132-R00	
MATERIAL 6061-T6 ALUMINIUM		APPROVALS DRAWN: CHRIS GRAVES CHECKED: <i>Chris Graves</i> DATE: 03 Apr 01	
FINISH: 125 UNLESS OTHERWISE NOTED DEBURR & BREAK ALL SHARP EDGES		APPROVED: <i>Chris Graves</i> DATE: 9/5/01	
DO NOT SCALE DRAWING		Thomas Jefferson National Accelerator Facility NEWPORT NEWS, VIRGINIA UNITED STATES DEPARTMENT OF ENERGY	
SPALLATION NEUTRON SOURCE CRYMODULE - CAVITY TOOLING CAVITY HANDLING CART PIVOT INNER PITCH PIVOT BLOCK DETAIL		SIZE: C DWG. NO.: CRM9000010-0313 SCALE: 1:1 USED ON ASSY NO.: CRM9000010-0301	

