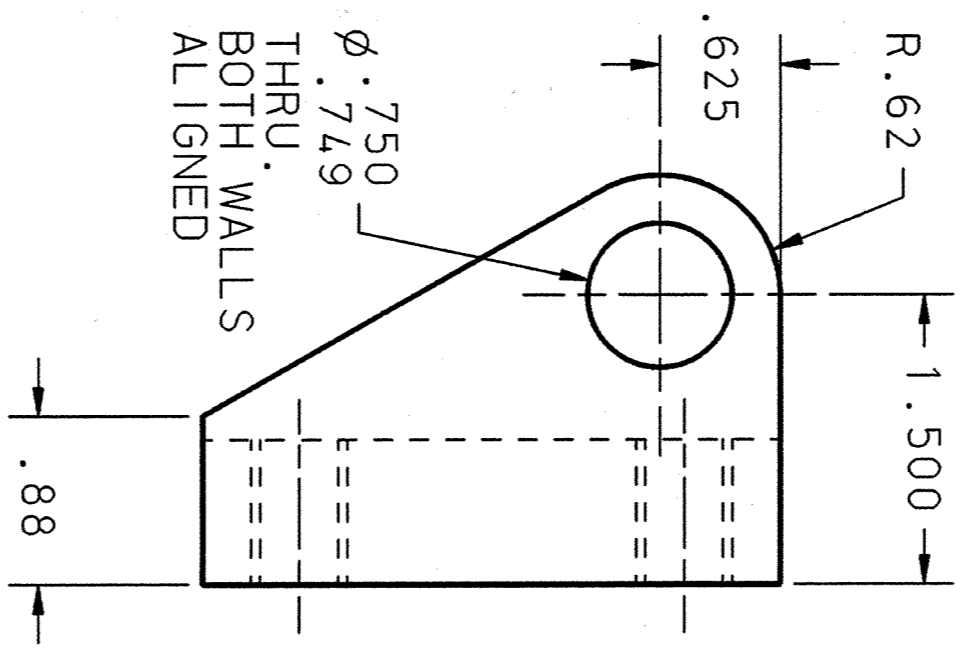
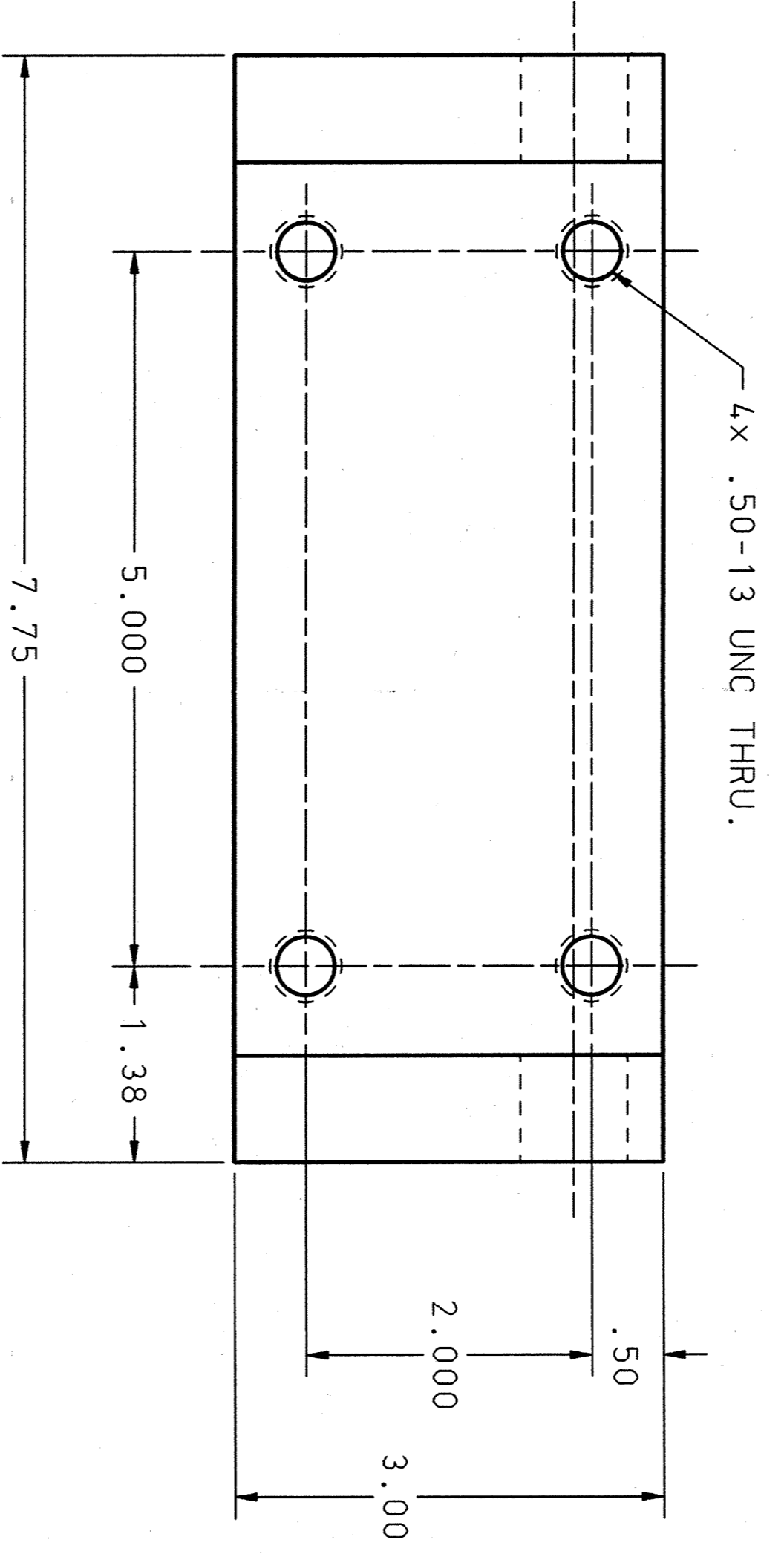
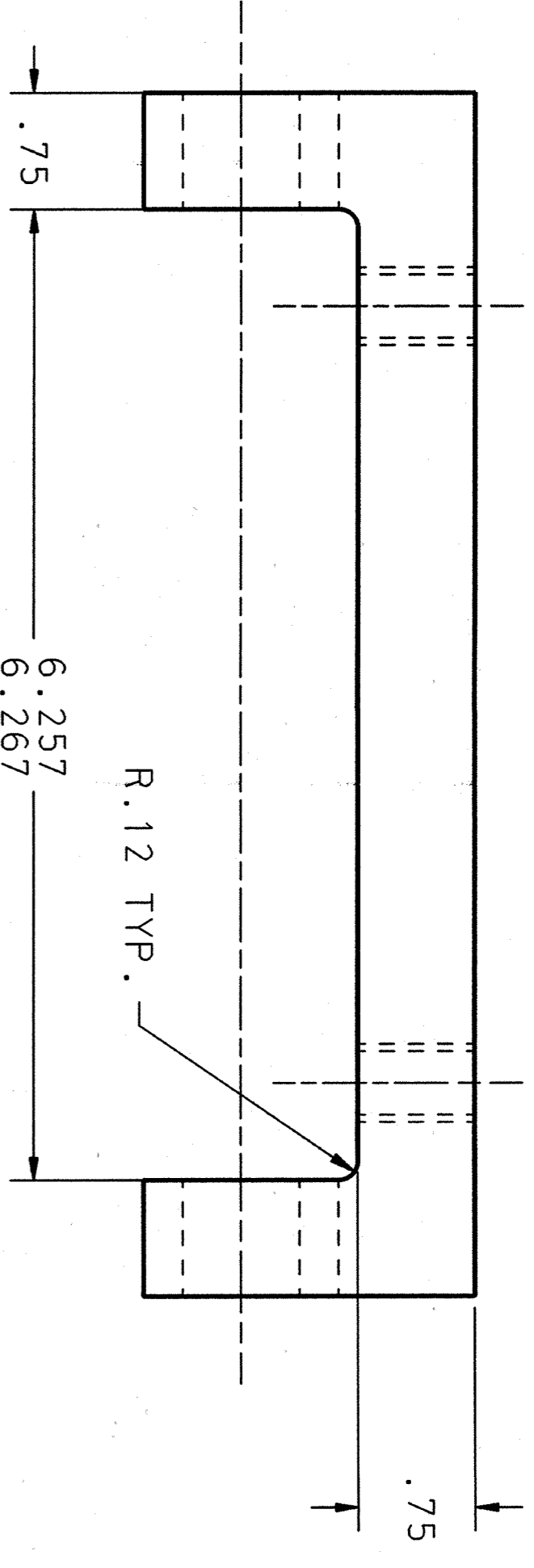


REVISION HISTORY		
ZONE	REV	DESCRIPTION

DATE	APPROVED



DIM & TOL PER ANSI Y14.5
 UNLESS OTHERWISE SPECIFIED
 DIMENSIONS ARE IN INCHES
 FRACTIONS DECIMAL ANGLES
 #N/A .XX ±.02 ±.50°
 .XXX ±.005

MATERIAL
 304 STAINLESS STEEL

FINISH 125 UNLESS OTHERWISE NOTED
 DEBURR & BREAK ALL SHARP EDGES
 DO NOT SCALE DRAWING

CADD I.D. NO.: 1-DEAS
 104130801-T8C-
 8320-A134-R00

APPROVALS	DATE
DRAWN CHRIS GRAVES	03 Apr 01
CHECKED <i>Chris Graves</i>	09 May 01
APPROVED <i>Chris Graves</i>	09 May 01
APPROVED <i>Chris Graves</i>	09 May 01

Thomas Jefferson National Accelerator Facility
 NEWPORT NEWS, VIRGINIA
 UNITED STATES DEPARTMENT OF ENERGY

SPALLATION NEUTRON SOURCE
 CRYMODULE - CAVITY TOOLING
 CAVITY HANDLING CART PIVOT
 OUTER PITCH PIVOT HINGE DETAIL

SIZE DWG. NO. CRM9000010-0315
 SCALE 1:1 USED ON ASSY NO. CRM9000010-0324 SHEET 1 OF 1