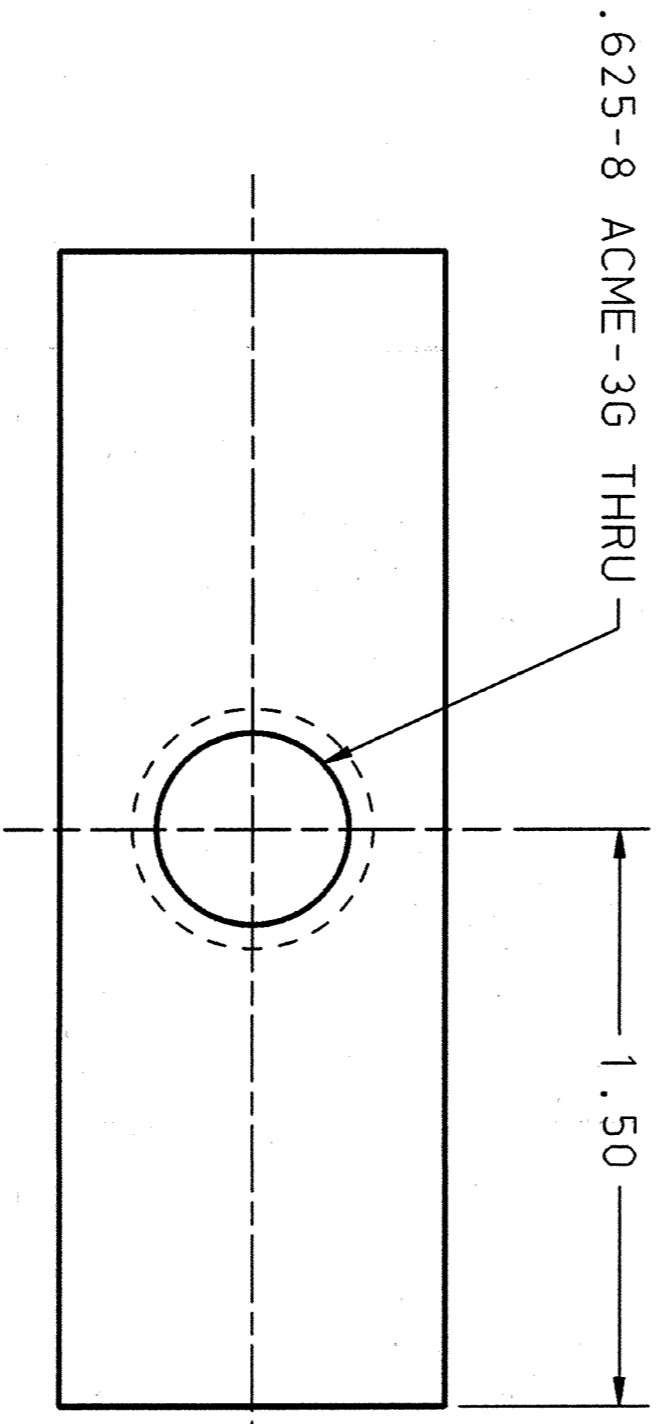
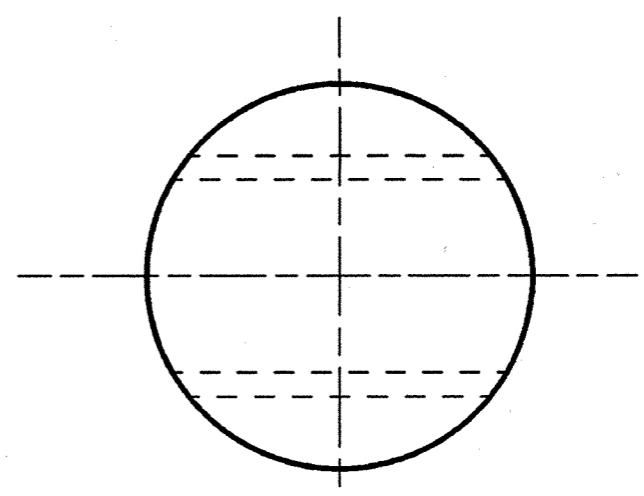
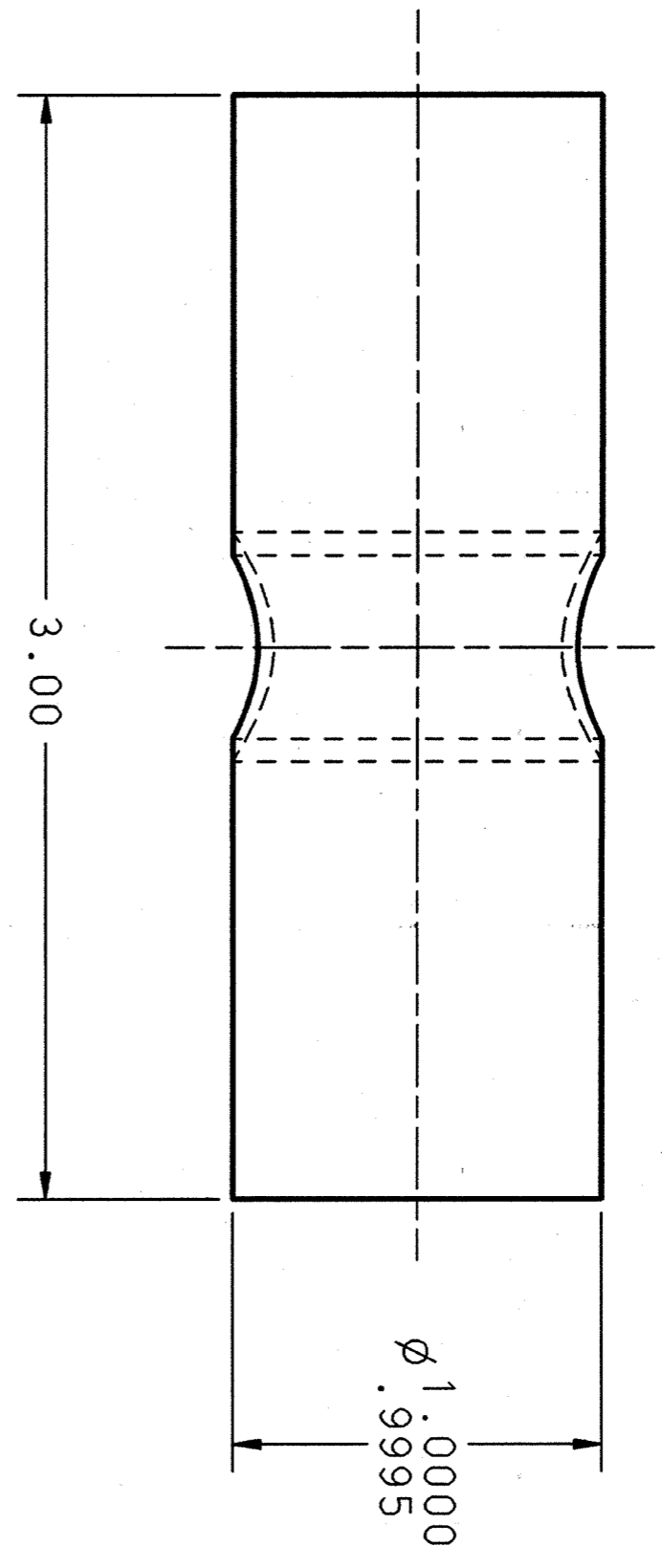


REVISION HISTORY		
ZONE	REV	DESCRIPTION

DATE	APPROVED



DIM & TOL PER ANSI Y14.5 DIMENSIONS SPECIFIED DIMENSIONS ARE IN INCHES TOLERANCES DECIMAL ANGLES FRACTIONS XX # .02 #N/A .XXX # .005		CADD I.D. NO.: 1-DEAS 104130801-T8C- 8320-A138-R00		Thomas Jefferson National Accelerator Facility NEWPORT NEWS, VIRGINIA UNITED STATES DEPARTMENT OF ENERGY	
MATERIAL 655 SILICON BRONZE HALF HARD		APPROVALS DRAWN CHRIS GRAVES 03 Apr 01		SPALLATION NEUTRON SOURCE CRYMODULE - CAVITY TOOLING CAVITY HANDLING CART PIVOT THREADED PIVOT PIN DETAIL	
FINISH 63 UNLESS OTHERWISE NOTED DEBURR & BREAK ALL SHARP EDGES		CHECKED <i>Chris Graves</i> 09 May 01		SIZE DWG. NO. CRM9000010-0319	
DO NOT SCALE DRAWING		APPROVED <i>Chris Graves</i> 9/5/01		SCALE 2:1 USED ON ASSY NO. CRM9000010-0301 SHEET 1 OF 1	

