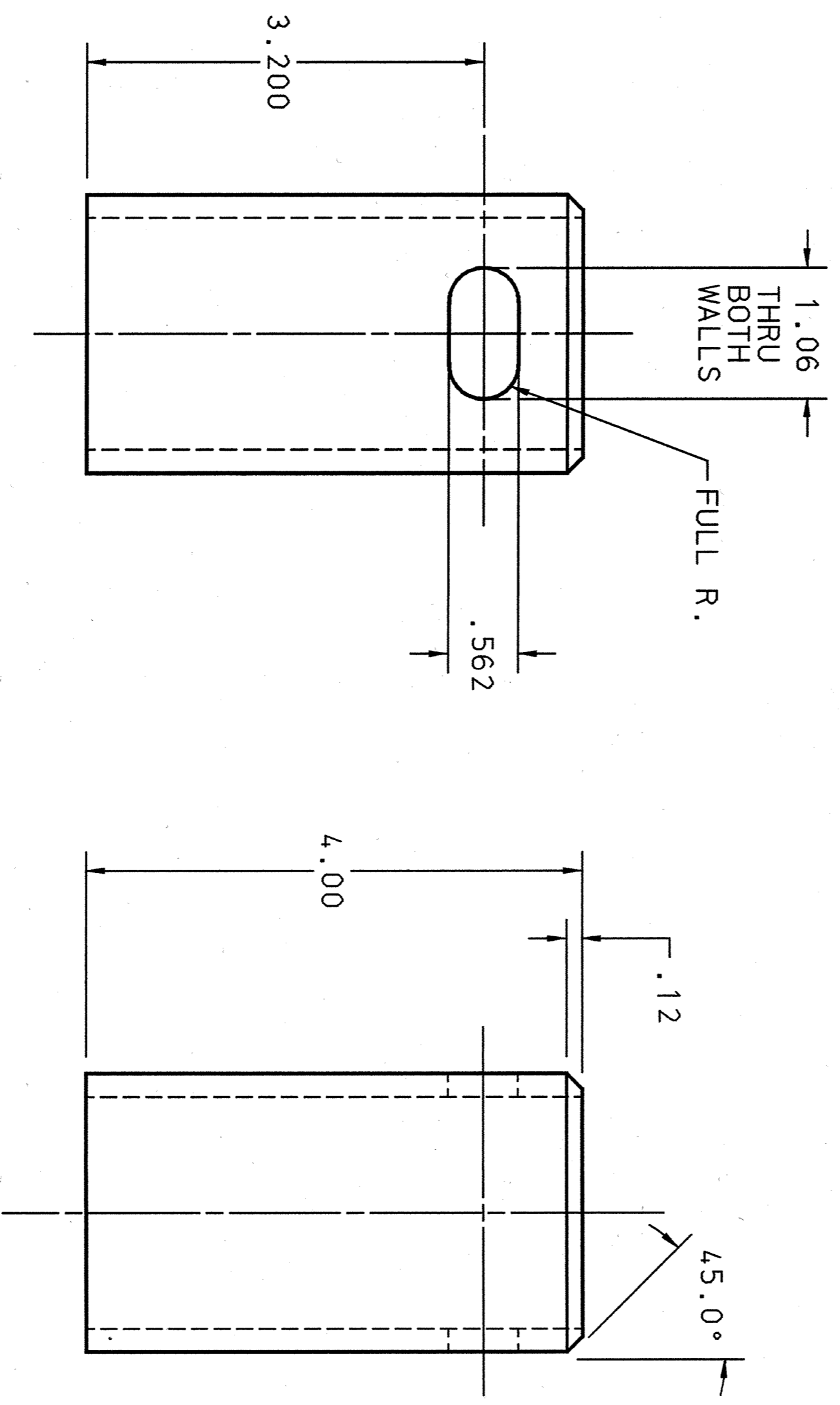
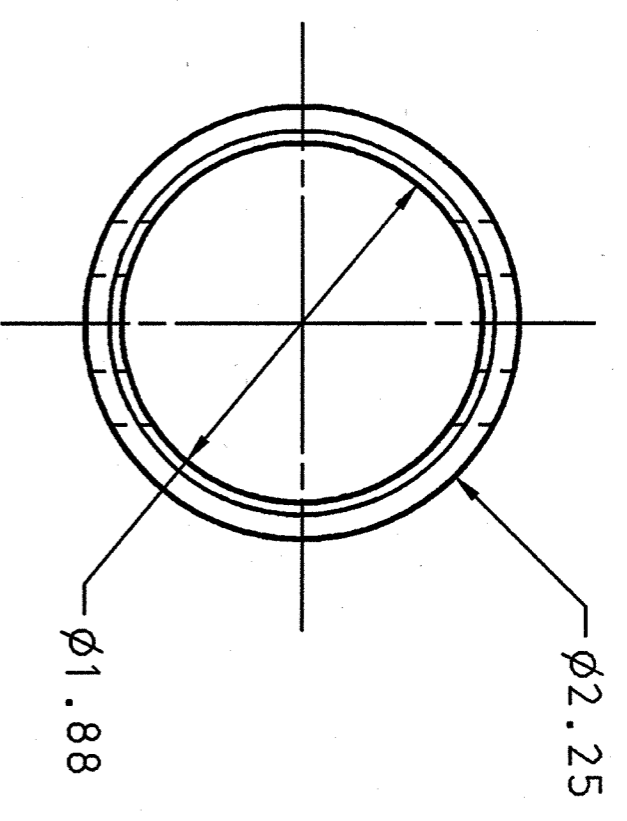
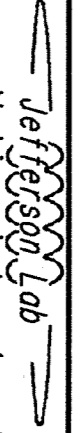


REVISION HISTORY				
ZONE	REV	DESCRIPTION	DATE	APPROVED



DIM. & TOL. PER ANSI Y14.5 DIMENSIONS SPECIFIED DIMENSIONS ARE IN INCHES TOLERANCES ARE: FRACTIONS DECIMAL ANGLES #/A .XXX ±.005 ±.50°		CADD I.D. NO.: I-DEAS 104130801-T8C- 8320-A151-R00		Thomas Jefferson National Accelerator Facility UNITED STATES DEPARTMENT OF ENERGY 	
MATERIAL 304 STAINLESS STEEL (MAY BE MADE FROM TUBE)		APPROVALS DRAWN CHRIS GRAVES 02 JULY 01		SPALLATION NEUTRON SOURCE CRYOMODULE - CAVITY TOOLING He VESSEL ADAPTOR PLATE HeV SHORT SUPPORT LUG	
FINISH 125 UNLESS OTHERWISE NOTED DEBURR & BREAK ALL SHARP EDGES		CHECKED E. S. Whitely 31 JUL 01		SIZE DWG. NO. CRM9000010-0323	
DO NOT SCALE DRAWING		APPROVED Chris Graves 3 JUL 01		SCALE 1:1 USED ON ASSY NO. CRM9000010-0307 SHEET 1 OF 1	

ICG

4

3

2

1

4

3

2

1