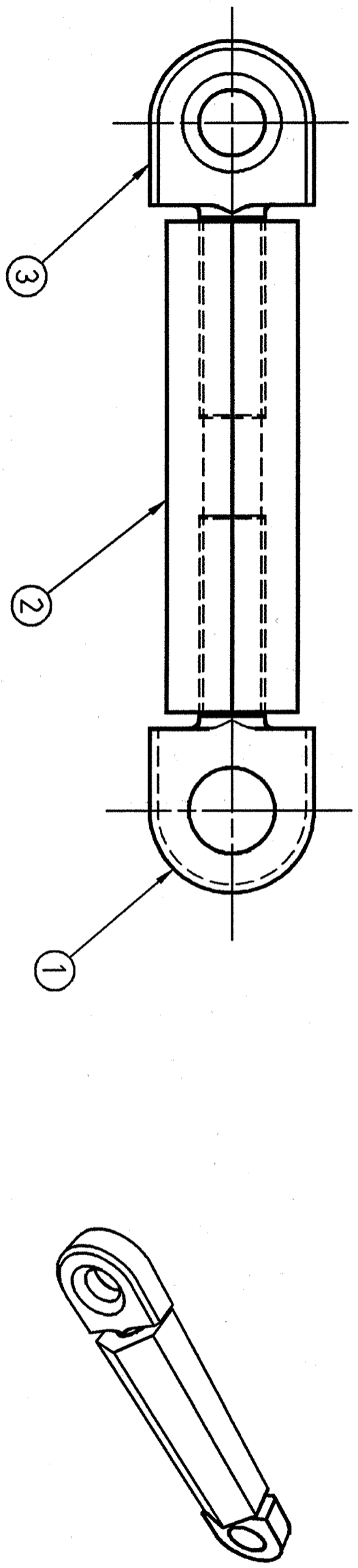


REVISION HISTORY			DATE	APPROVED
ZONE	REV	DESCRIPTION		



QTY	ITEM	PART OR IDENTIFYING NO.	NOMENCLATURE OR DESCRIPTION	MATERIAL SPECIFICATION	NOTES
1	3	CRM9000010-0405	TURNBUCKLE - CABLE END	-	-
1	2	CRM9000010-0404	TURNBUCKLE - CENTER	-	-
1	1	CRM9000010-0403	TURNBUCKLE - FRAME END	-	-

1005

DIM & TOL PER ANSI Y14.5 UNLESS OTHERWISE SPECIFIED DIMENSIONS ARE IN INCHES TOLERANCES ARE:

FRACTIONS	DECIMAL	ANGLES
#N/A	.XX #N/A	#N/A
	.XXX #N/A	

CADD I.D. NO.: I-DEAS
 SNS DWG NO.: 104130801-18B-8320-A192-R00

MATERIAL SEE PARTS LIST

APPROVALS

DRAWN	DATE
CHRIS GRAVES	15 JUN01
CHECKED	
<i>M. S. Gable</i>	29 JUN 01
APPROVED	
<i>Chris Graves</i>	
APPROVED	
<i>Edward J. O'Leary</i>	23 JUN 01

FINISH N/A UNLESS OTHERWISE NOTED

DEBURR & BREAK ALL SHARP EDGES

DO NOT SCALE DRAWING

SPALLATION NEUTRON SOURCE CRYMODULE - CAVITY TOOLING CAVITY / He VESSEL HANDLING CART TURNBUCKLE ASSEMBLY

Thomas Jefferson National Accelerator Facility
 UNITED STATES DEPARTMENT OF ENERGY

Jefferson Lab

SIZE DWG. NO. CRM9000010-0402

SCALE 1:1 USED ON ASSY NO. CRM9000010-0400 SHEET 1 OF 1

