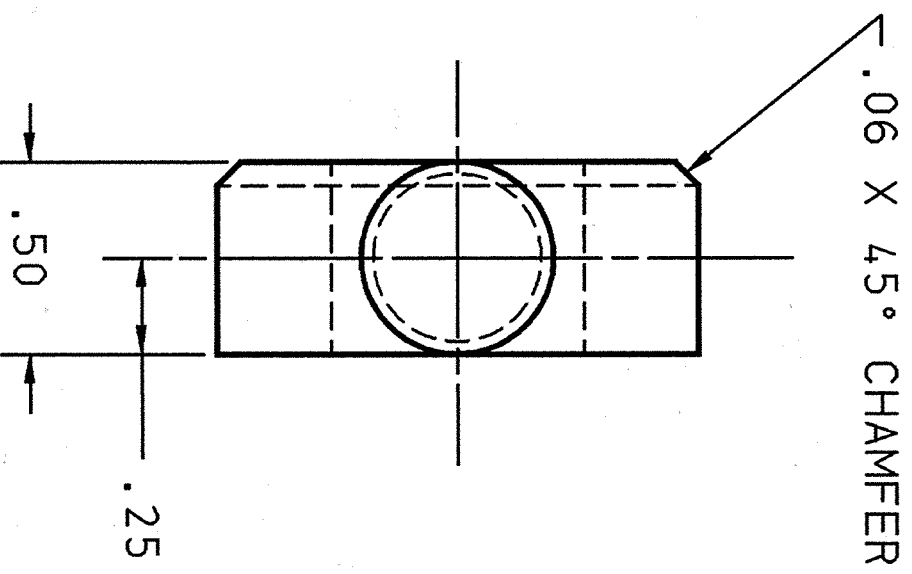
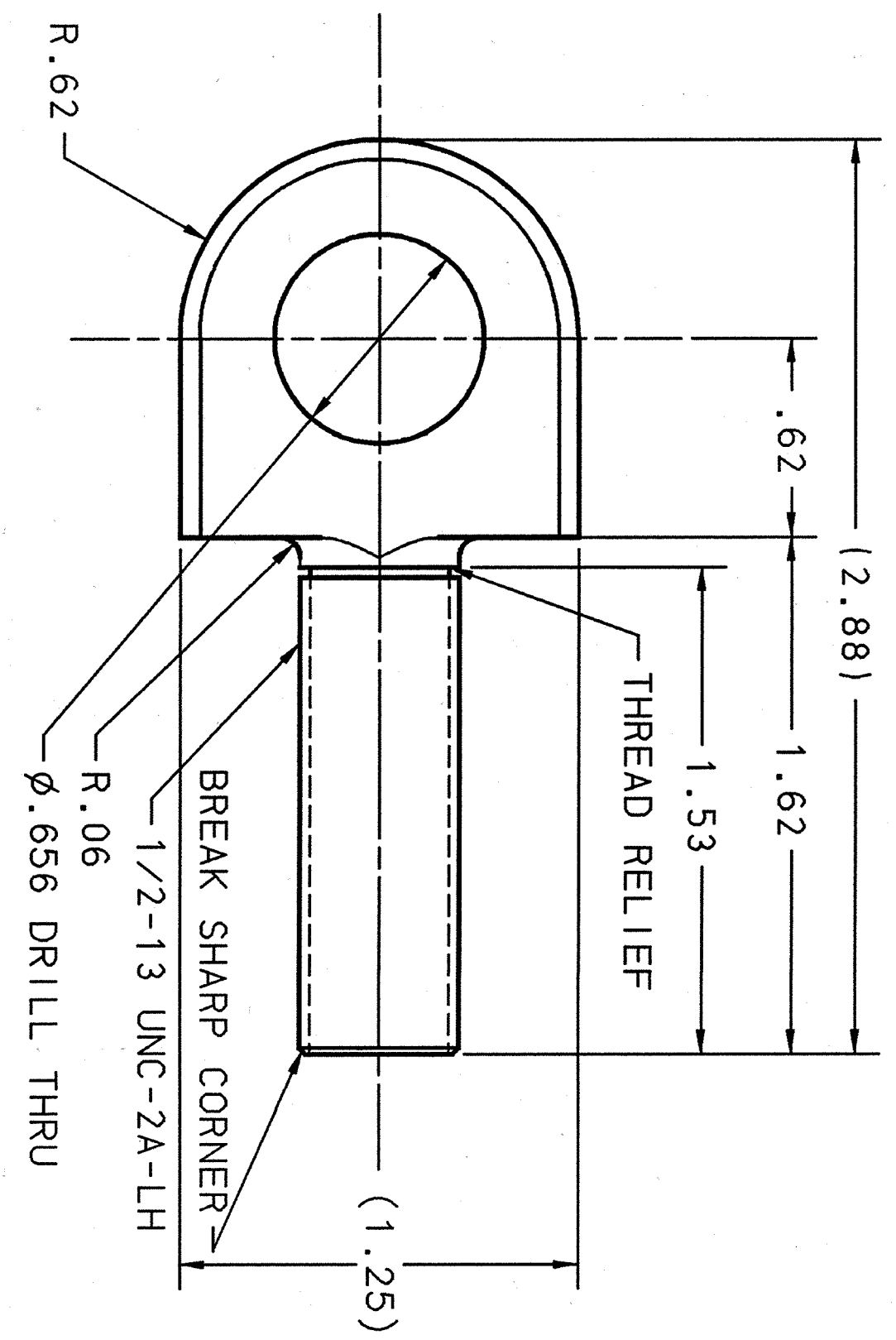


REVISION HISTORY		
ZONE	REV	DESCRIPTION



100%

DIM & TOL PER ANSI Y14.5 UNLESS OTHERWISE SPECIFIED DIMENSIONS ARE IN INCHES TOLERANCES ARE: FRACTIONS DECIMAL ANGLES #N/A .XX ±.02 ±.50° .XXX ±.005		CADD I.D. NO.: I-DEAS SNS DWG NO.: 104130801-T8B-8320-A193-R00	
MATERIAL 303 STAINLESS STEEL		APPROVALS DATE	
FINISH 63 UNLESS OTHERWISE NOTED DEBURR & BREAK ALL SHARP EDGES		DRAWN CHRIS GRAVES	DATE 15 JUN01
DO NOT SCALE DRAWING		CHECKED W. Seckell	DATE 3 JUL01
APPROVED [Signature]		DATE 3 JUL01	APPROVED [Signature]

Thomas Jefferson National Accelerator Facility
 NEWPORT NEWS, VIRGINIA
 UNITED STATES DEPARTMENT OF ENERGY

Jefferson Lab

SPALLATION NEUTRON SOURCE
 CRYMODULE - CAVITY TOOLING
 CAVITY / He VESSEL HANDLING CART
 TURNBUCKLE - FRAME END DETAIL

SIZE DWG. NO. CRM9000010-0403 REV. -
 SCALE 2:1 USED ON ASSY NO. CRM9000010-0402 SHEET 1 OF 1