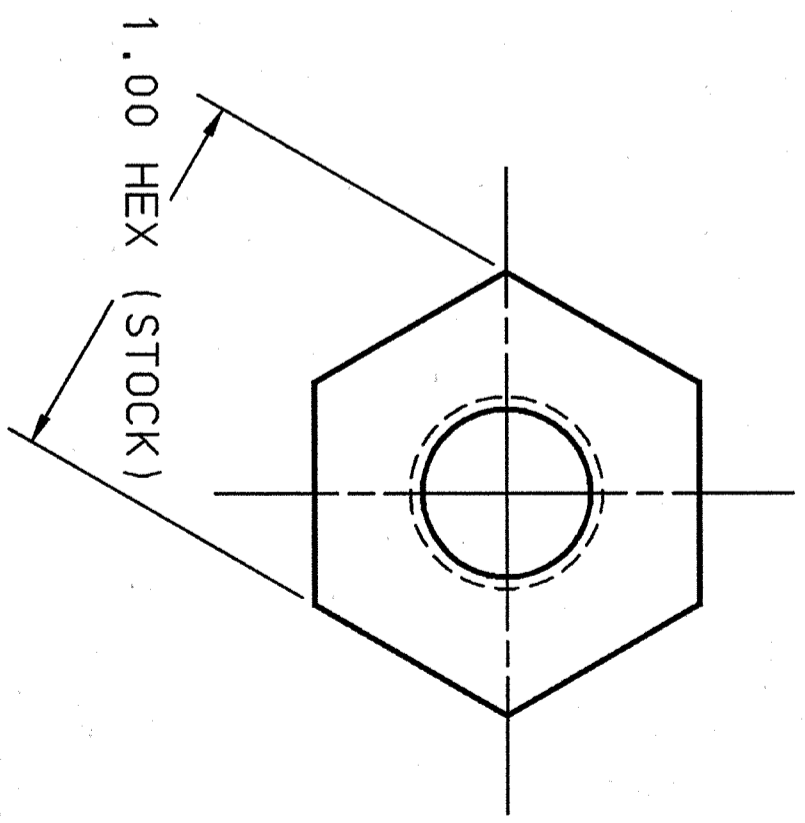
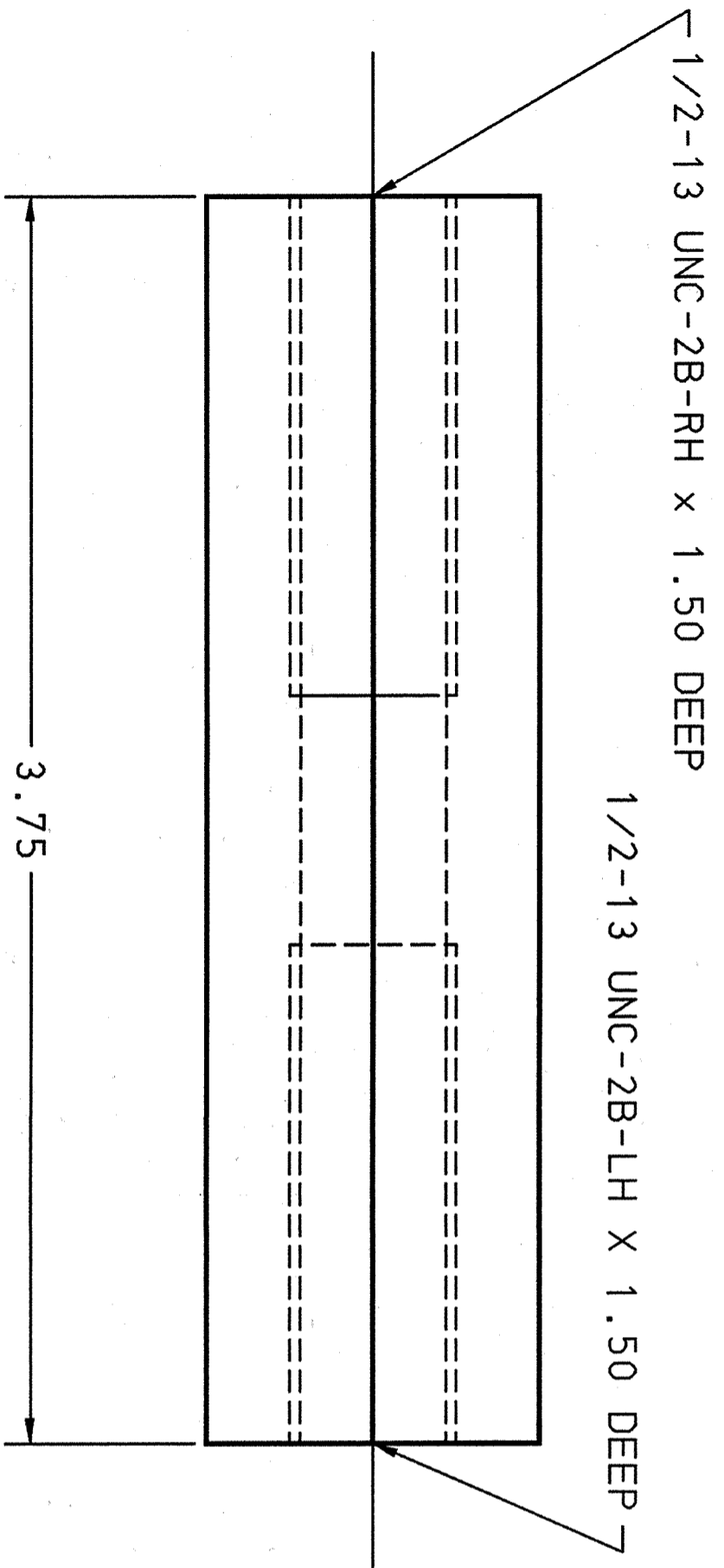


REVISION HISTORY			DATE	APPROVED
ZONE	REV	DESCRIPTION		



TCG

DIM & TOL PER ANSI Y14.5
UNLESS OTHERWISE SPECIFIED
DIMENSIONS ARE IN INCHES
TOLERANCES ARE:
FRACTIONS DECIMAL ANGLES
±N/A .XX ±.02 ±.50°
.XXX ±.005

MATERIAL
655 SILICON BRONZE
HALF HARD

FINISH 63 UNLESS OTHERWISE NOTED
DEBURR & BREAK ALL SHARP EDGES

DO NOT SCALE DRAWING



CADD I.D. NO.: I-DEAS
SNSDWG NO.: 104130801-T88-8320-A194-R00

APPROVALS

DRAWN
CHRIS GRAVES
15 JUN01

CHECKED
Chris Graves
29 JUN 01

APPROVED
Chris Graves
29 JUN 01

APPROVED
Samuel Foley
03 JUL 01

Thomas Jefferson National Accelerator Facility
NEWPORT NEWS, VIRGINIA
UNITED STATES DEPARTMENT OF ENERGY

SPALLATION NEUTRON SOURCE
CRYMODULE - CAVITY TOOLING
CAVITY / He VESSEL HANDLING CART
TURNBUCKLE - CENTER DETAIL

SIZE DWG. NO. CRM9000010-0404

SCALE 2:1 USED ON ASSY NO. CRM9000010-0402 SHEET 1 OF 1