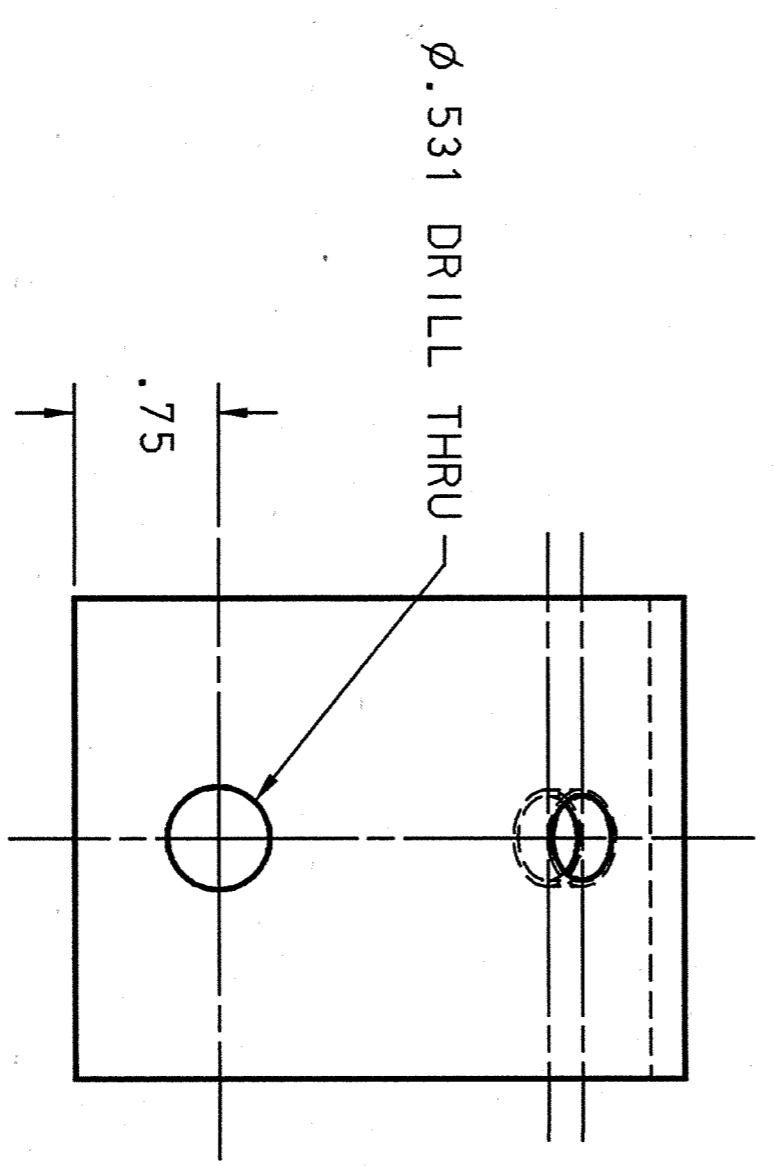
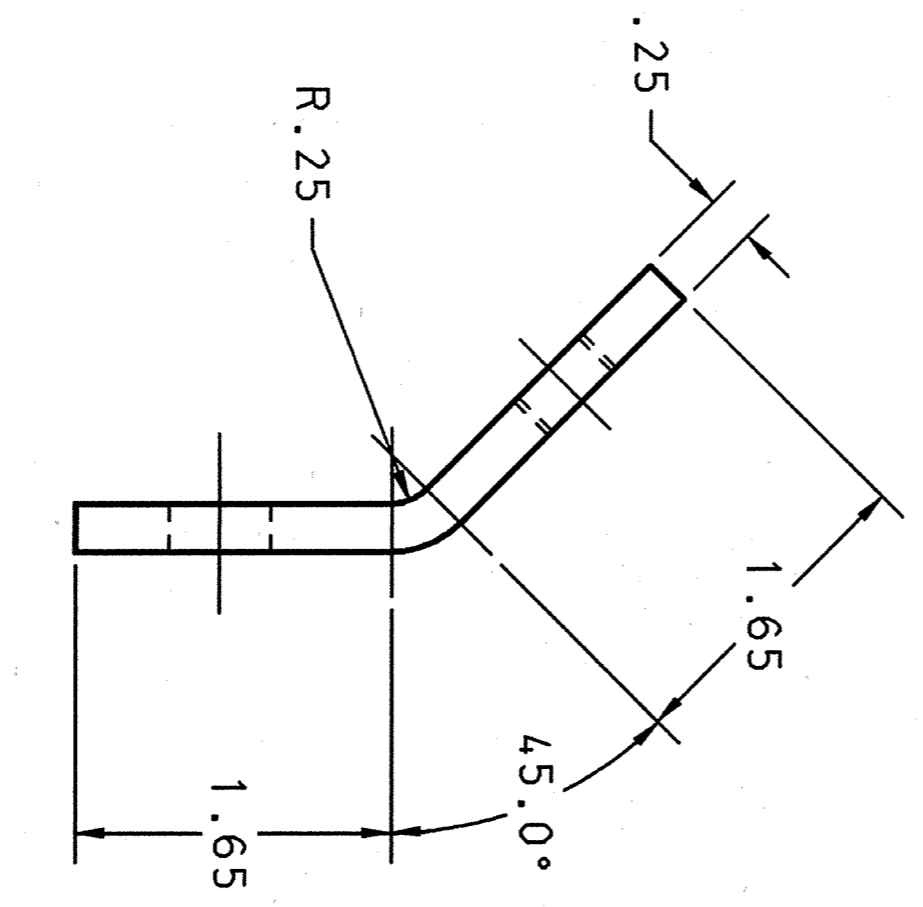
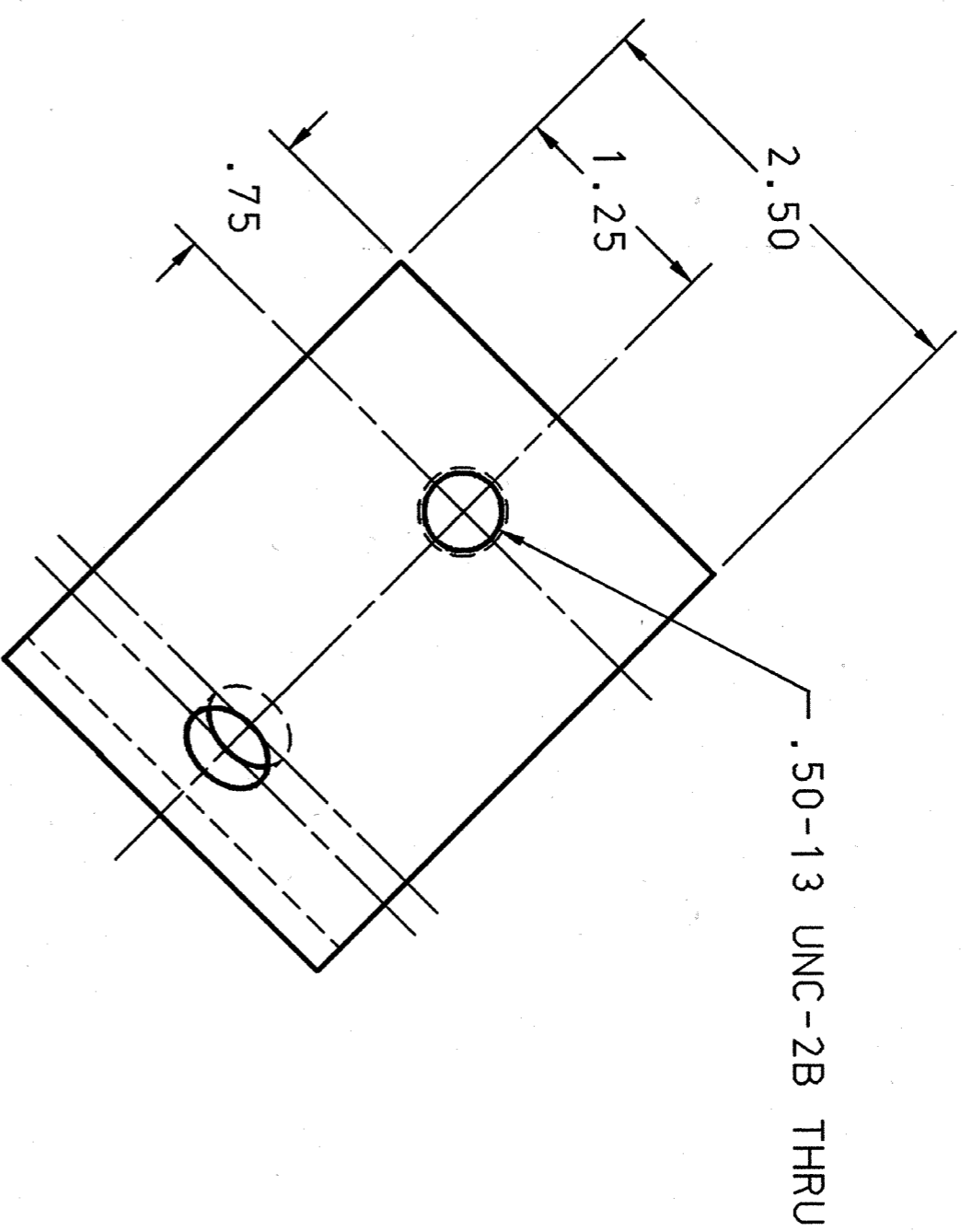


REVISION HISTORY		
ZONE	REV	DESCRIPTION

DATE	APPROVED



DIM & TOL PER ANSI Y14.5. UNLESS OTHERWISE SPECIFIED DIMENSIONS ARE IN INCHES. TOLERANCES ARE:	
FRACTIONS	DECIMAL
#N/A	ANGLES
.XX #.02	#.50°
.XXX #.005	

MATERIAL
303 STAINLESS STEEL

FINISH	125	OTHERWISE NOTED
DEBURR & BREAK ALL SHARP EDGES		
DO NOT SCALE DRAWING		

Thomas Jefferson National Accelerator Facility
NEWPORT NEWS, VIRGINIA
UNITED STATES DEPARTMENT OF ENERGY

SPALLATION NEUTRON SOURCE
CRYMODULE - CAVITY TOOLING
CAVITY / He VESSEL HANDLING CART
CABLE ADAPTER BRACKET DETAIL

SCALE	1:1	USED ON ASST. NO.	CRM9000010-0400	SHEET	1	OF	1
-------	-----	-------------------	-----------------	-------	---	----	---

