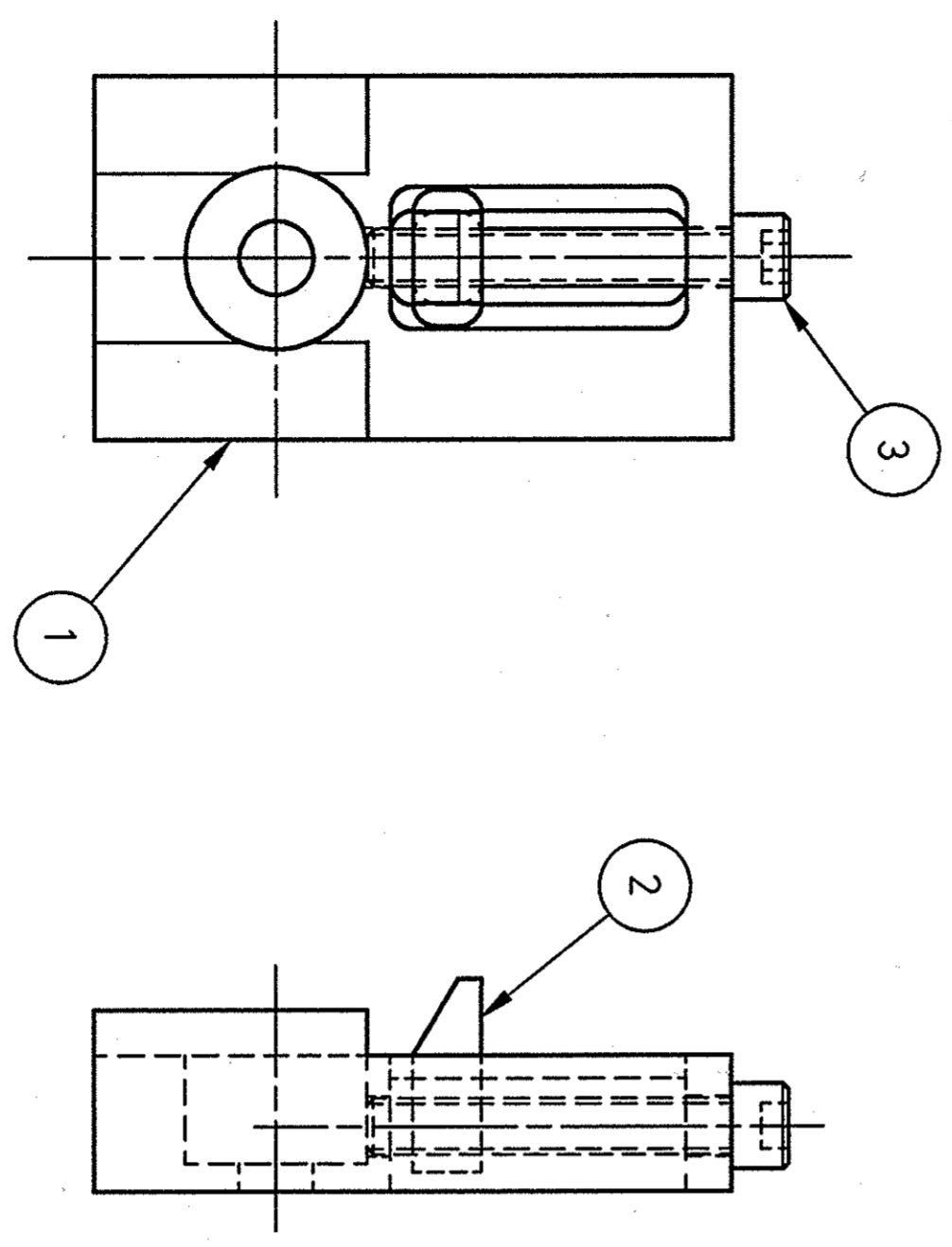
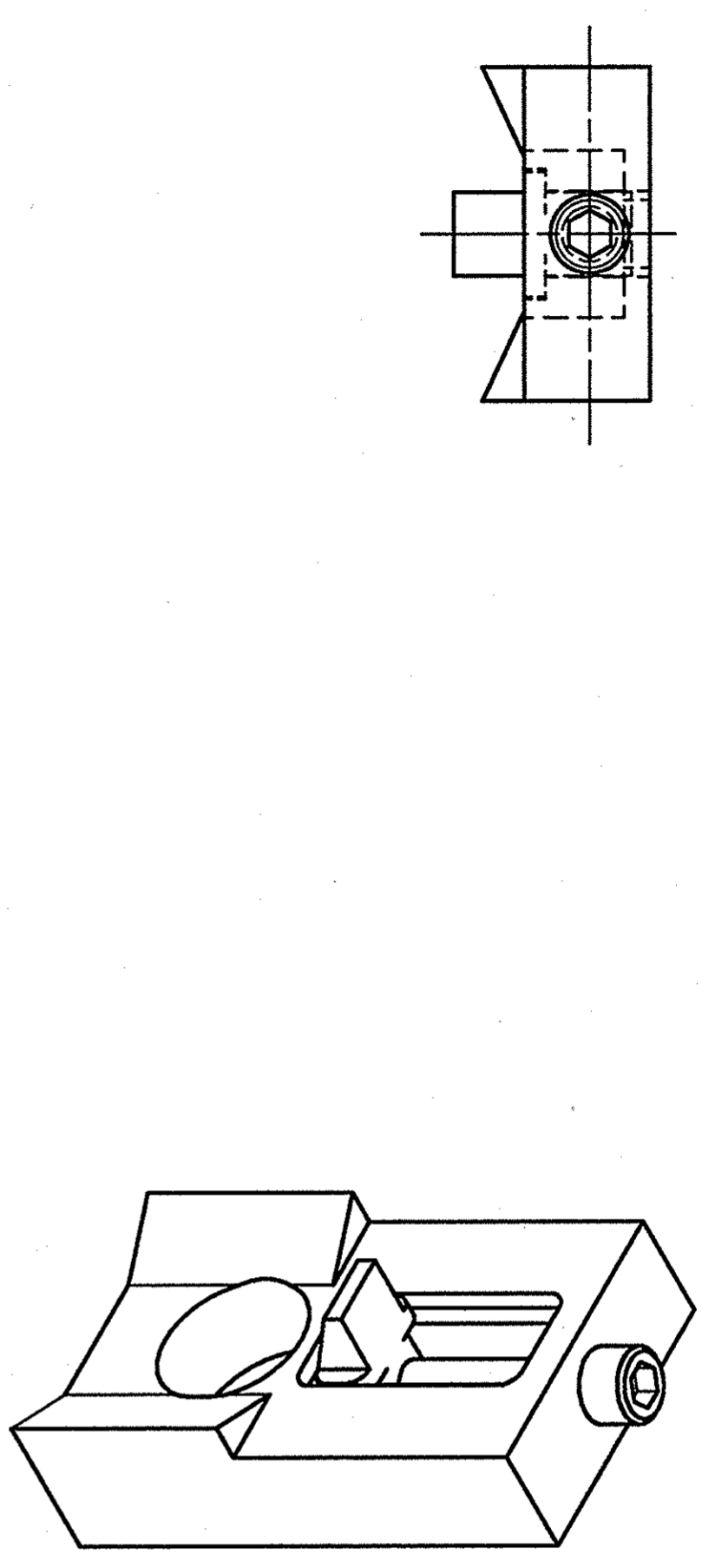


REVISION HISTORY				
ZONE	REV	DESCRIPTION	DATE	APPROVED

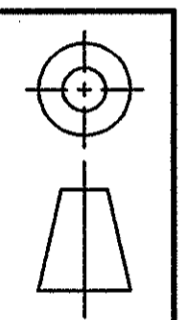


QTY	ITEM NO.	PART OR IDENTIFYING NO.	QUANTITY OR DESCRIPTION	MATERIAL SPECIFICATION	NOTES
1	3	-	3125-18 UNC X 2.00 LG SHCS THREADED FULL LENGTH	STAINLESS STEEL	-
1	2	CRM-900-0010-0554	JAW	-	-
1	1	CRM-900-0010-0552	BODY	-	-

DIM & TOL. PER ANS I Y14.5
 UNLESS OTHERWISE SPECIFIED
 DIMENSIONS ARE IN INCHES
 TOLERANCES ARE:
 FRACTIONS DECIMAL ANGLES
 .XX ±.02 ±.50°
 .XXX ±.005
 #N/A

CADD I.D. NO.: I-DEAS
 104130801-T8C-8320-
 A230-R00

Thomas Jefferson National Accelerator Facility
 UNITED STATES DEPARTMENT OF ENERGY
 Jefferson Lab



FINISH 125 UNLESS OTHERWISE NOTED
 DEBURR & BREAK ALL SHARP EDGES
 DO NOT SCALE DRAWING

APPROVED: [Signature]
 CHECKED: [Signature]
 DRAWN: CHRIS GRAVES
 DATE: 12 Dec 01

SIZE DWG. NO. CRM-900-0010-0550
 SCALE 1:1 USED ON ASSY NO. CRM-900-0010-0100 SHEET 1 OF 1