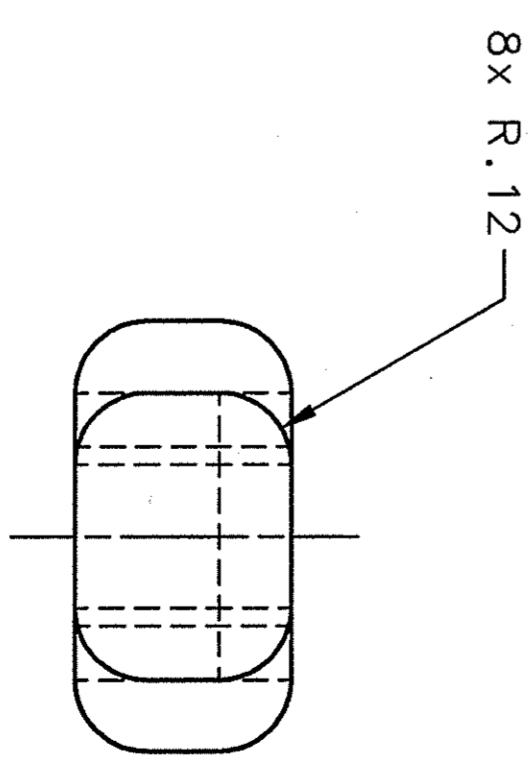
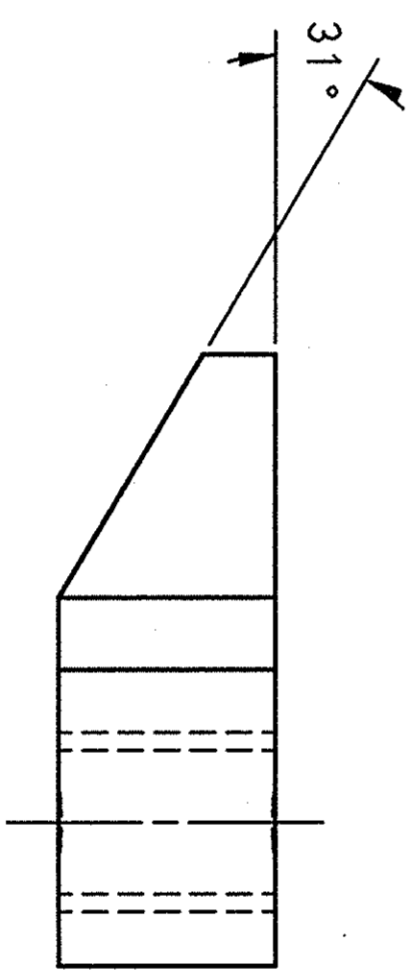
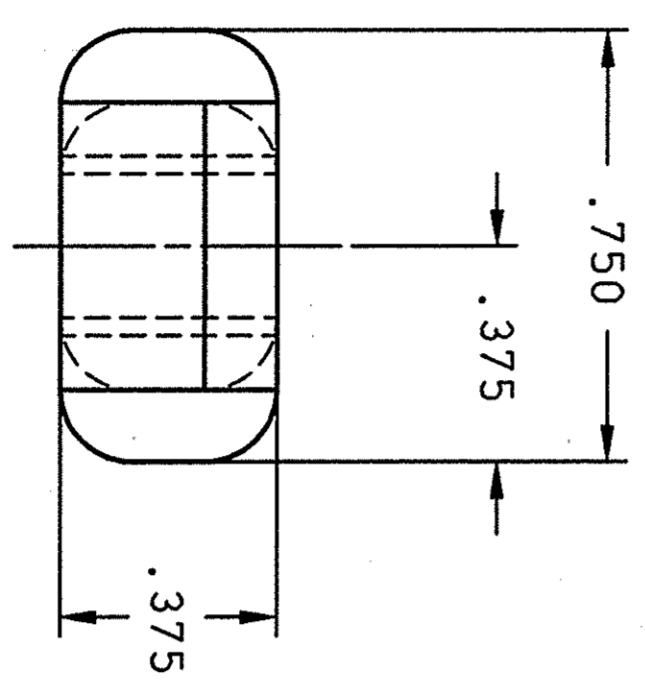
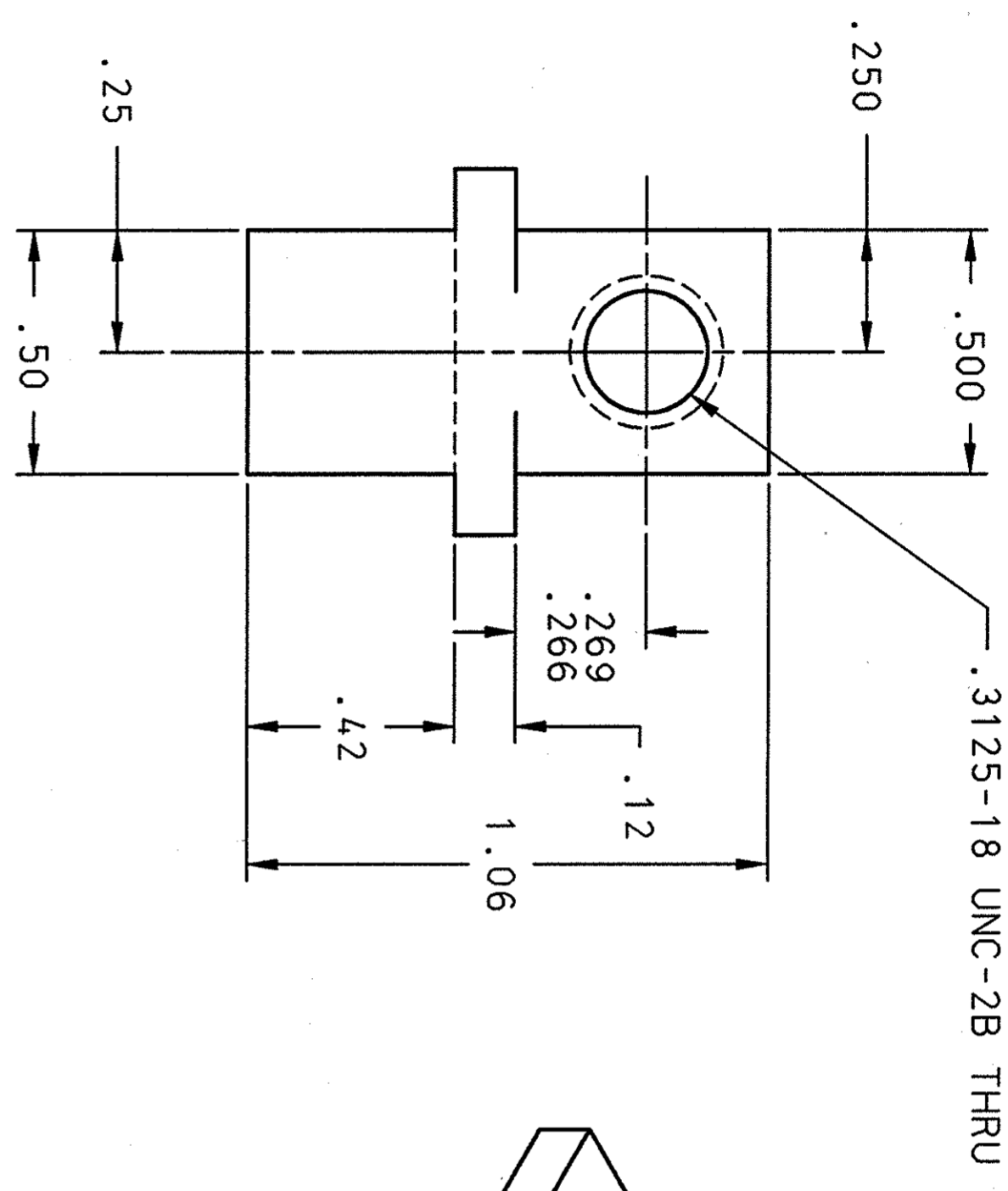
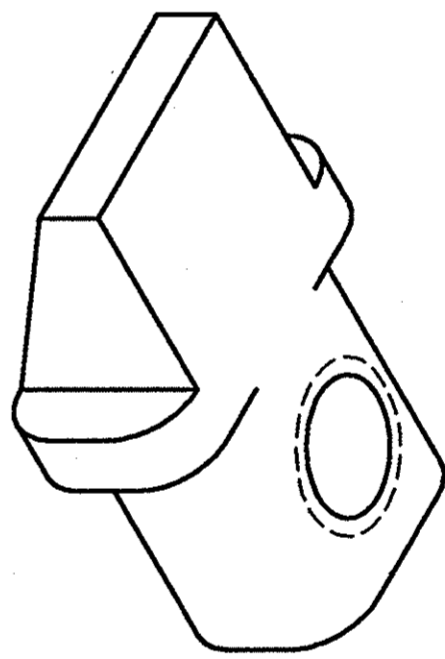


REVISION HISTORY				
ZONE	REV	DESCRIPTION	DATE	APPROVED



**303 STAINLESS STEEL**

FINISH 125 UNLESS OTHERWISE NOTED  
 DEBURR & BREAK ALL SHARP EDGES

Thomas Jefferson National Accelerator Facility  
 NEWPORT NEWS, VIRGINIA  
 UNITED STATES DEPARTMENT OF ENERGY

SPALLATION NEUTRON SOURCE  
 CRYMODULE - CAVITY TOOLING  
 TACK WELD FIXTURE  
 JAW - DETAIL

DO NOT SCALE DRAWING

APPROVED: *[Signature]*  
 CHECKED: *[Signature]*  
 DRAWN: CHRIS GRAVES

DATE: 14 Dec 01  
 SIZE DWG. NO.: CRM-900-0010-0554  
 SCALE: 3:1  
 USED ON ASSY NO.: CRM-900-0010-0550 / CRM-900-0010-0551