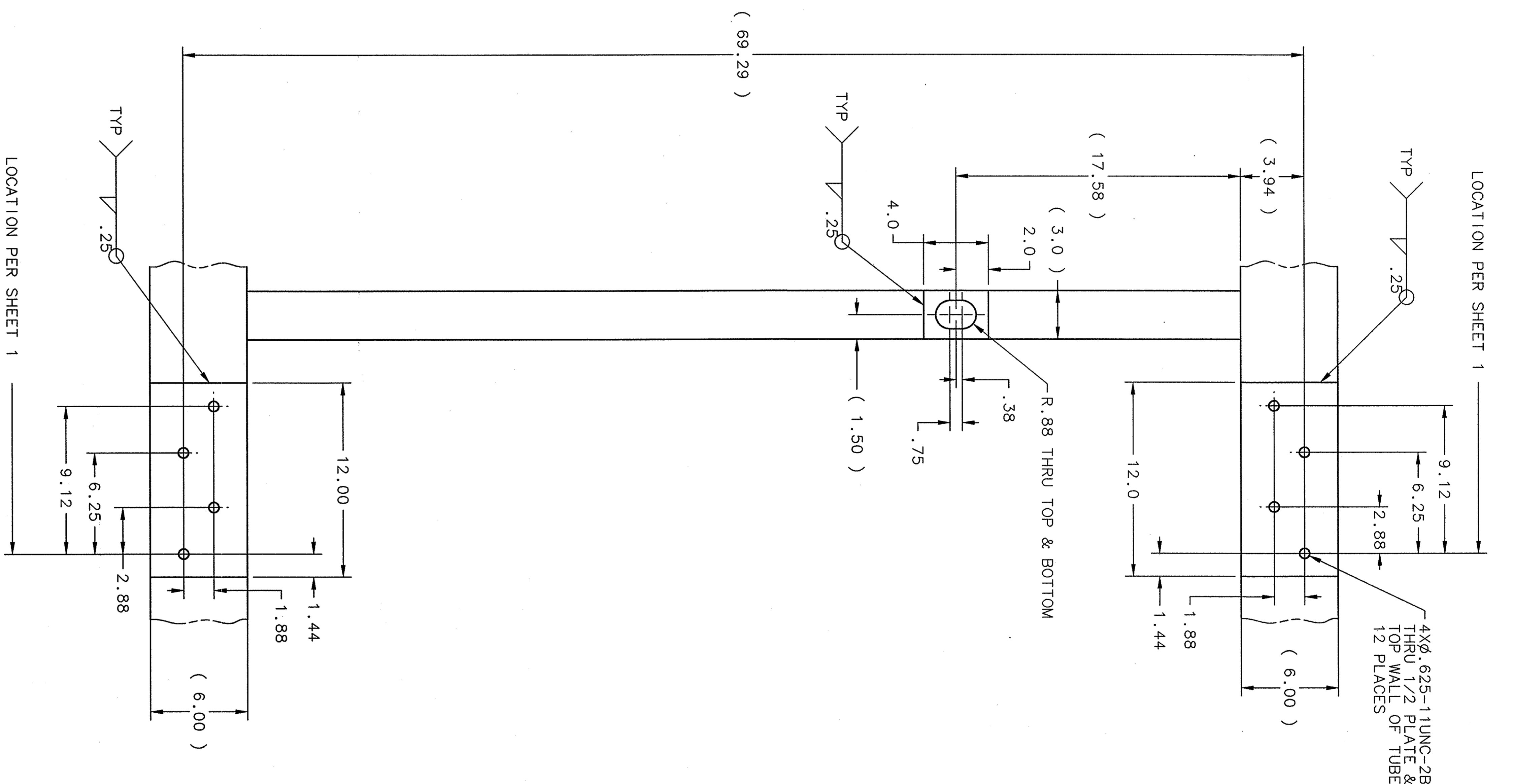
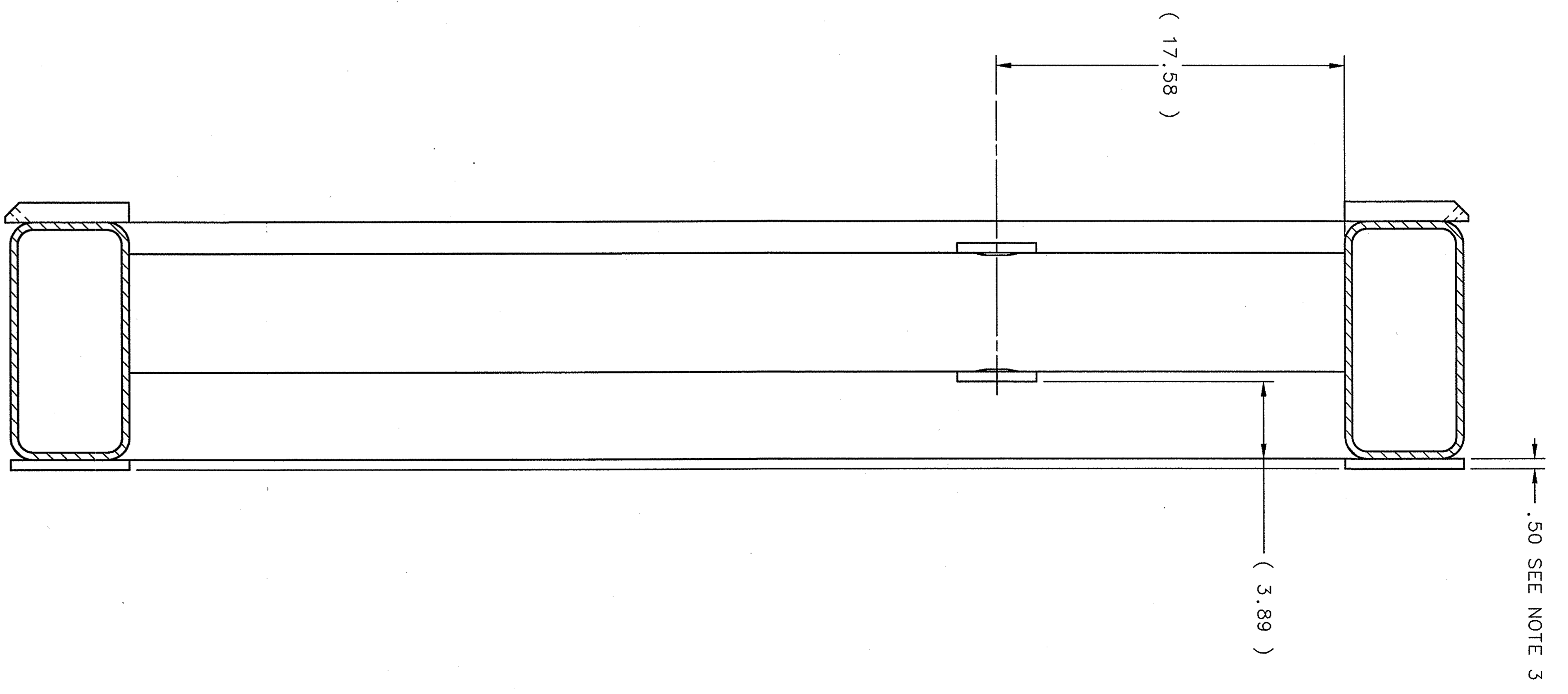


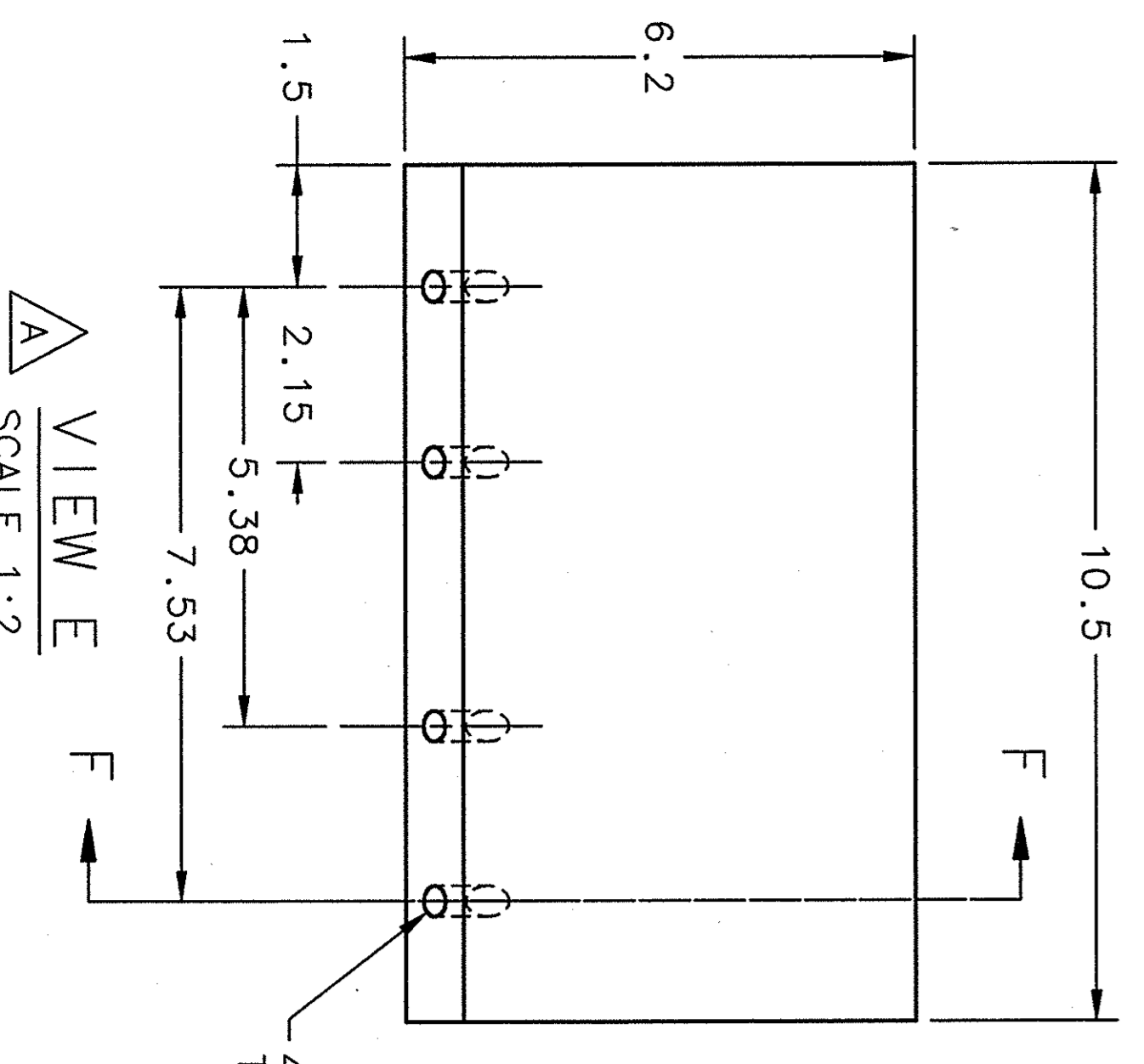
SECTION B-B  
SCALE 1:4



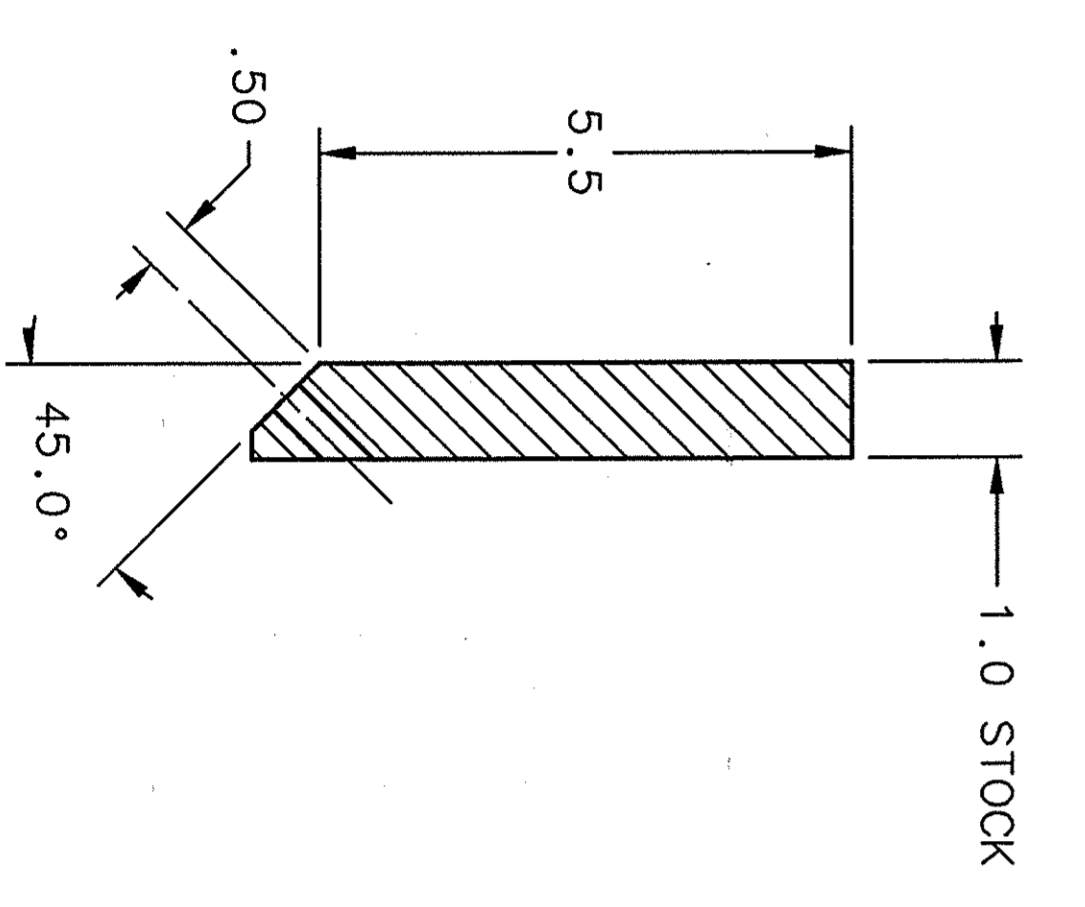
DETAIL C  
SCALE 1:4  
INFO SHOWN IS TYPICAL,  
UNLESS OTHERWISE NOTED



SECTION D-D  
SCALE 1:4  
FOR INFO NOT SHOWN  
SEE SECTION B-B  
AND DETAIL C



VIEW E  
SCALE 1:2



SECTION F-F