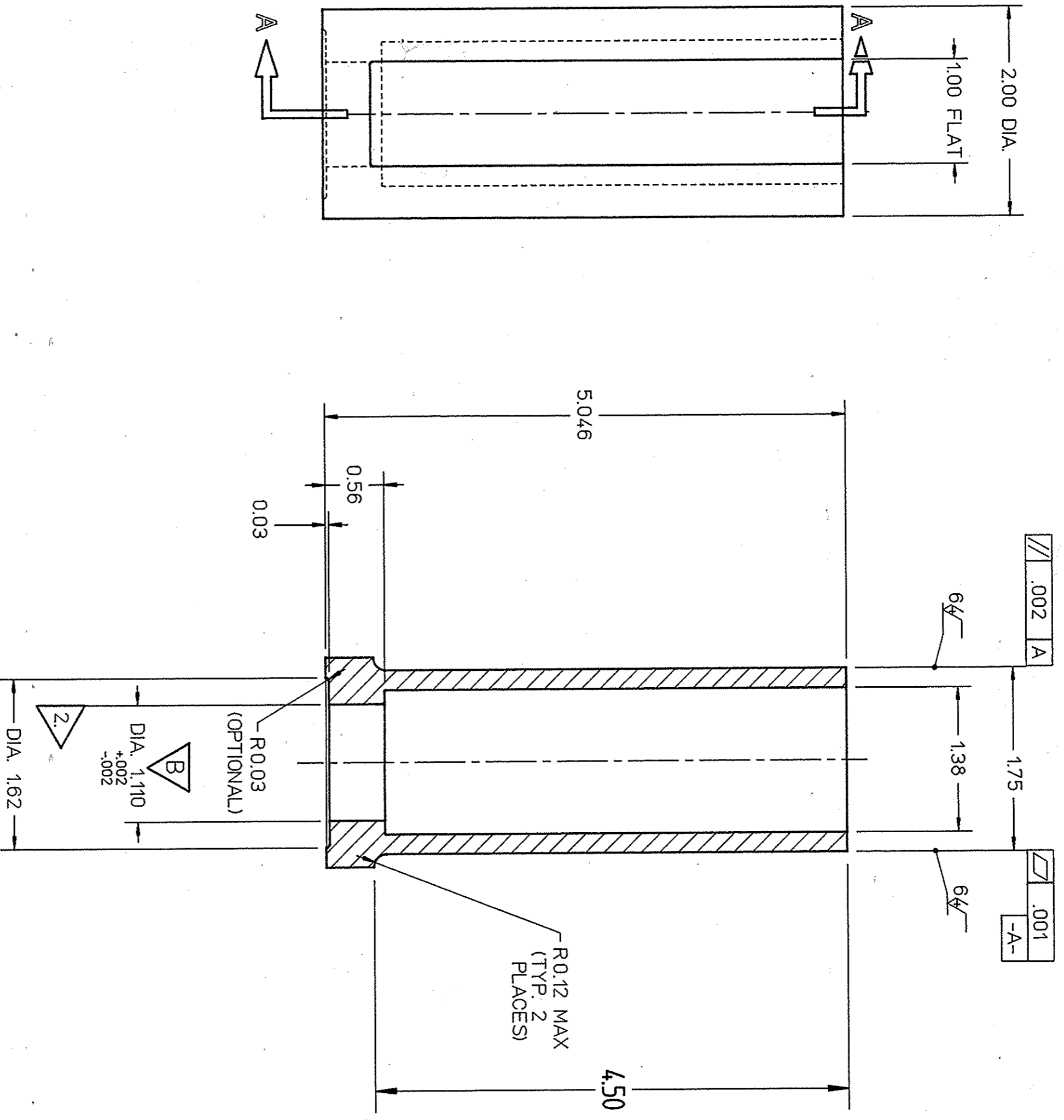


REVISIONS				
ZONE	REV.	DESCRIPTION	DATE	APPROVED
-	A	GENERAL REVISIONS / CHECKED DRAWING	09/12/89	G. BALLAS 09/14/89
B-3	B	DIM. 1123 CHANGED TO 1.110 <i>1.227/89</i>	11/30/89	<i>12/2/89</i>



- NOTES:**
- HARD ANODIZE PER MIL-A-8625 TYPE III CLASS 1 EXCEPT PER NOTE 2.
  - MASK THIS SURFACE (NO HARD ANODIZE)

**SECTION A-A**

QTY	TERM	PART NO.	IDENTIFYING NO.	DESCRIPTION	OR IDENTIFYING NO.	MATERIAL SPECIFICATION	NOTES

DIM & TOL PER ANSI Y14.5 DIMENSIONS ARE IN INCHES TOLERANCES ARE: FRACTIONS DECIMAL ANGLES # XXX ± .005 ± 0.5°		CADD ID. NO. <b>2512001001</b>	
MATERIAL <b>6061-T651 ALUMINUM</b>	APPROVALS	DATE	
FINISH 125 UNLESS OTHERWISE NOTED DEBURR & BREAK ALL SHARP EDGES	DRAWN R. WOLFLEY	8-03-89	
	CHECKED C. MURRAY	9-14-89	
	APPROVED/ORIGINATOR G. BALLAS	9-12-89	
	APPROVED		

 The Continuous Newport News, Virginia UNITED STATES DEPARTMENT OF ENERGY		BEAM TRANSPORT ADJUSTMENT CARTRIDGE BASE
SIZE DWG. NO.	22512-C-0010	REV. B
SCALE	1:1	USED ON ASSY NO.
SHEET 1		OF 1

A B C D

4 3 2 1