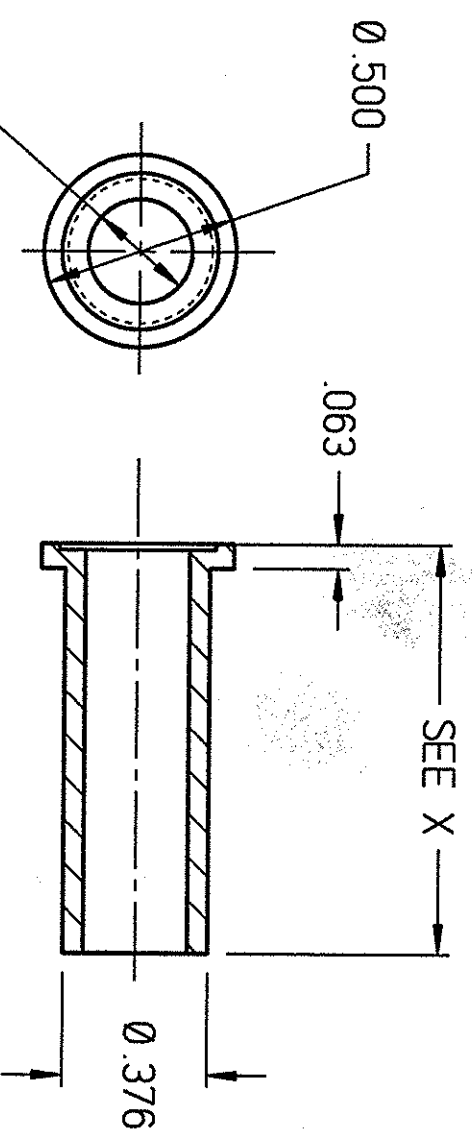


REVISIONS		
ZONE	REV	DESCRIPTION
		DATE
		APPROVED



Ø .271 THRU  
 L Ø .406 T015

'X' DIM	
P1	1.065
P2	.813



DIM & TOLERANCE AS SPECIFIED UNLESS OTHERWISE SPECIFIED DIMENSIONS ARE IN INCHES TOLERANCES ARE: FRACTIONS DECIMAL ANGLES ± N/A XX ± .01 ± N/A XXX ± .005	
MATERIAL <b>304 STAINLESS</b>	
FINISH 63 UNLESS OTHERWISE NOTED DEBURR & BREAK ALL SHARP EDGES	DO NOT SCALE DRAWING
CADD I.D. NO. 392000236rev-	APPROVALS DRAWN JACK I SMITH DATE 02MAR01
CHECKED <i>[Signature]</i> 13 MAR 01	APPROVED <i>[Signature]</i> 25 APR 01



Thomas Jefferson National Accelerator Facility  
 NEWPORT NEWS, VIRGINIA  
 UNITED STATES DEPARTMENT OF ENERGY

HALL 'B'  
 BEAM POSITION MONITOR  
 DRIVE LOOP  
 SHORT SUPPORT DETAIL

SIZE/DWG. NO. <b>B</b> 39200-B-0236	USED ON ASSY NO. 39200-C-0237 SHEET 1 OF 1
---	---