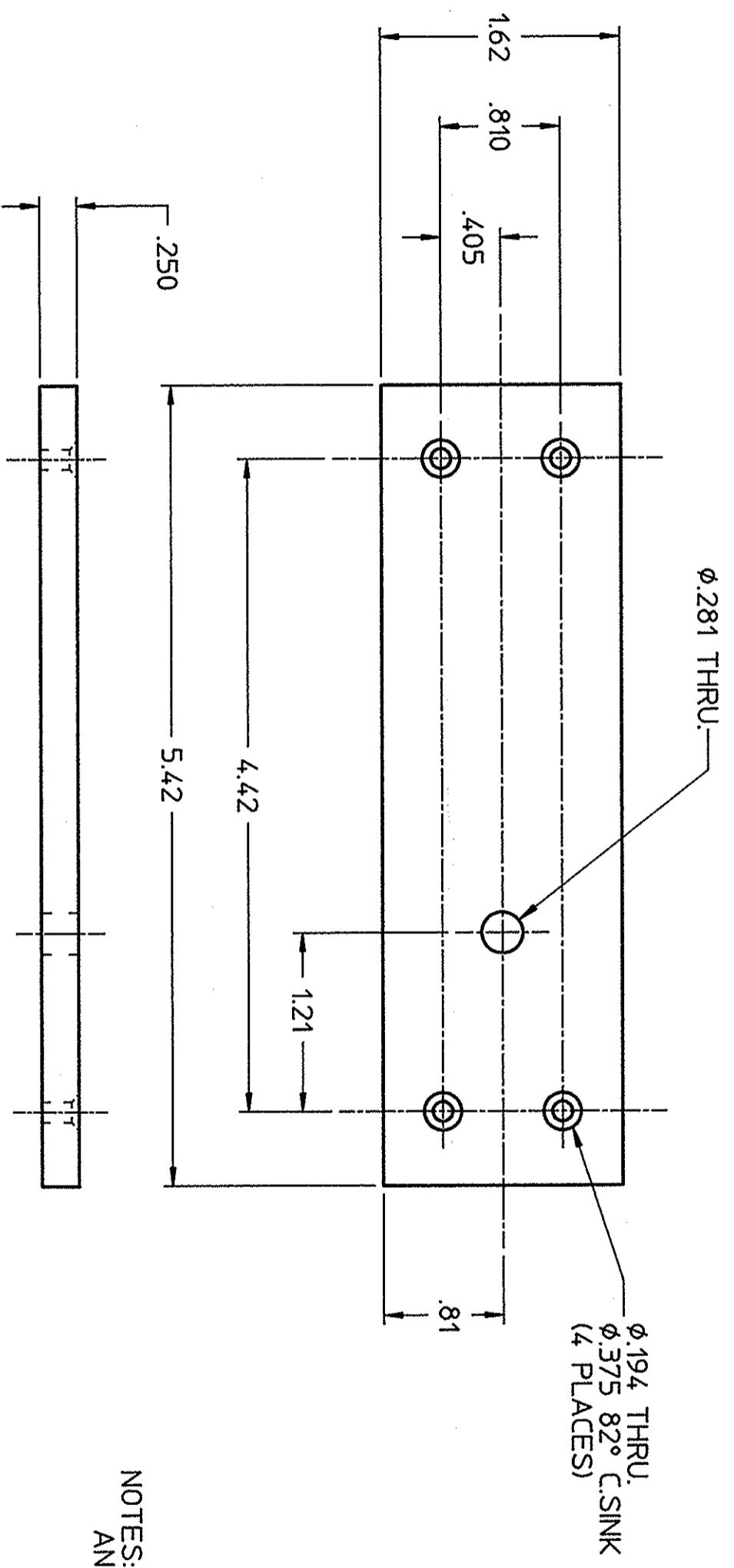


DWG. NO. 58432-B-0615 SHIT. 1 REV. -

REVISIONS		
ZONE	REV.	DESCRIPTION



NOTES:  
ANODIZE / BLACK

QTY	ITEM	PART OR IDENTIFYING NO.	NOMENCLATURE OR DESCRIPTION	MATERIAL SPECIFICATION	NOTES
DIM & TOL PER ANSI Y14.5 UNLESS OTHERWISE SPECIFIED DIMENSIONS ARE IN INCHES TOLERANCES ARE: FRACTIONS DECIMAL ANGLES FINA .XXX ± .005 .XX ± .02 #.05 °					
MATERIAL		CADD I.D. NO.		PARTS LIST	
6061 - T6 ALUMINUM		584320615		Thomas Jefferson National Accelerator Facility NEWPORT NEWS, VIRGINIA UNITED STATES DEPARTMENT OF ENERGY	
FINISH 125 UNLESS OTHERWISE NOTED		APPROVALS		DATE	
DEBURR & BREAK ALL SHARP EDGES		DRAWN CHRIS GRAVES		12-16-96	
DO NOT SCALE DRAWING		CHECKED <i>[Signature]</i>		2/3/97	
		APPROVED <i>[Signature]</i>		2/13/97	
		SIZE DWG. NO.		REV.	
		B 58432-B-0615		-	
		SCALE FULL		USED ON ASSY NO. 58432-C-0613 SHEET 1 OF 1	

